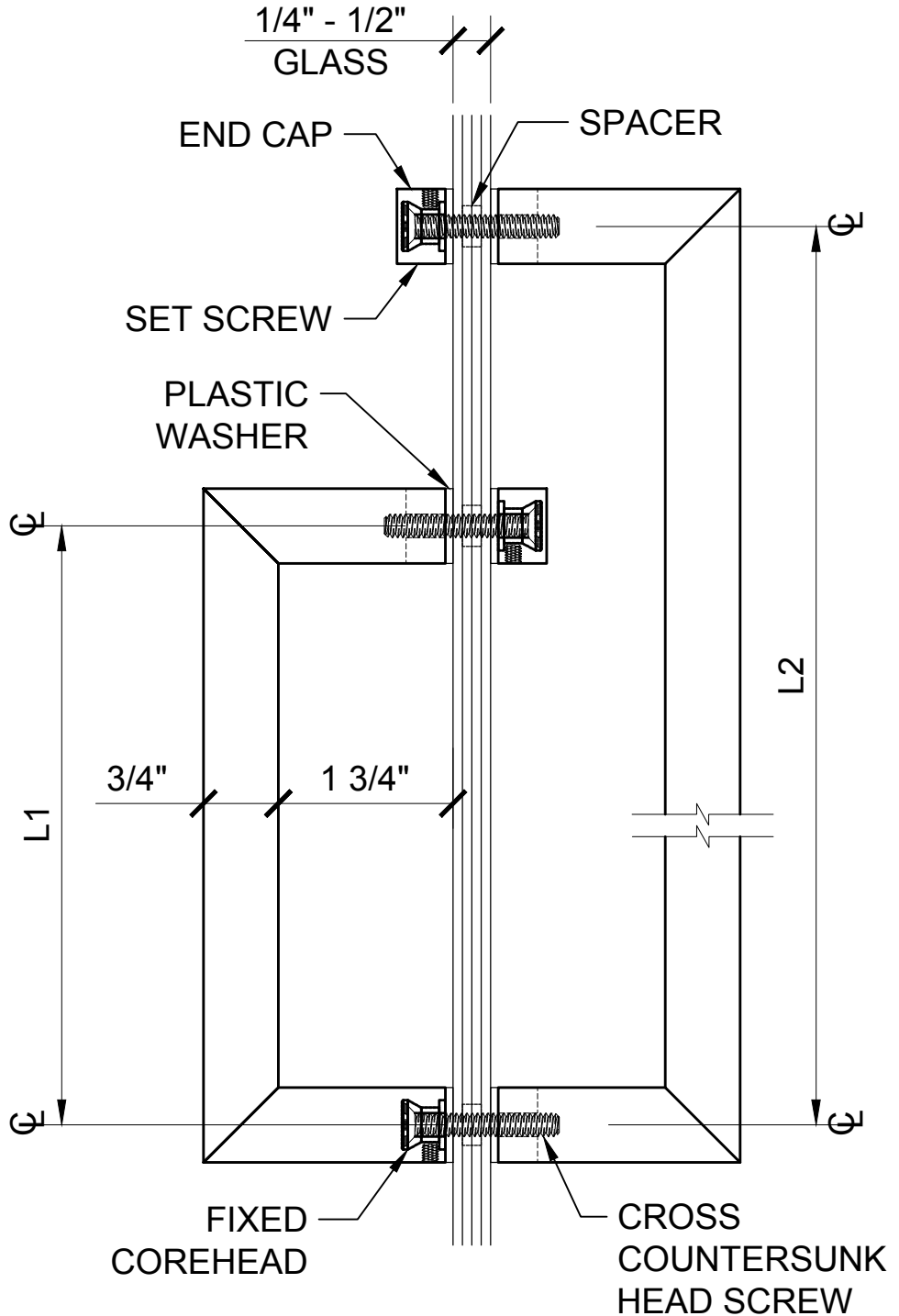
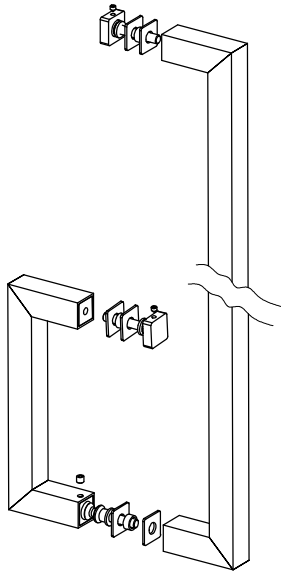


3/4" (19mm) Square Brass Tubing
Glass Thickness Range: 1/4" to 1/2" (6mm to 12 mm)
Hole Diameter Required: 1/2" (12 mm) (2)



PART NUMBER	FINISH	L1xL2
SQ6X18CH	POLISHED CHROME	6"x18"
SQ6X18BR	POLISHED BRASS	6"x18"
SQ6X180RB	OIL RUBBED BRONZE	6"x18"
SQ6X18BN	BRUSHED NICKEL	6"x18"
SQ6X18MBL	MATTE BLACK	6"x18"
SQ6X18PN	POLISHED NICKEL	6"x18"
SQ6X18SC	SATIN CHROME	6"x18"

SQ6X240RB	OIL RUBBED BRONZE	6"x24"
SQ6X24BN	BRUSHED NICKEL	6"x24"
SQ6X24BR	POLISHED BRASS	6"x24"
SQ6X24CH	POLISHED CHROME	6"x24"
SQ6X24PN	POLISHED NICKEL	6"x24"
SQ6X24SC	SATIN CHROME	6"x24"

SQ8X18CH	POLISHED CHROME	8"x18"
SQ8X18BR	POLISHED BRASS	8"x18"
SQ8X180RB	OIL RUBBED BRONZE	8"x18"
SQ8X18BN	BRUSHED NICKEL	8"x18"
SQ8X18MBL	MATTE BLACK	8"x18"
SQ8X18PN	POLISHED NICKEL	8"x18"
SQ8X18SC	SATIN CHROME	8"x18"

SQ8X24CH	POLISHED CHROME	8"x24"
SQ8X24BR	POLISHED BRASS	8"x24"
SQ8X240RB	OIL RUBBED BRONZE	8"x24"
SQ8X24BN	BRUSHED NICKEL	8"x24"
SQ8X24PN	POLISHED NICKEL	8"x24"



C.R.LAURENCE CO. ARCHITECTURAL PRODUCTS
 2503 E. Vernon Avenue, Los Angeles, C.A 90058-1897
 PH (800)-421-6144 FX: 800-587-7501 www.crlaurence.com

DESCRIPTION: CRL SQUARE TUBING PULL HANDLE & TOWEL BAR
 PART #: SEE CHART

DATE: 11/12/2018
 SCALE: NTS
 DRAWN BY: VM