

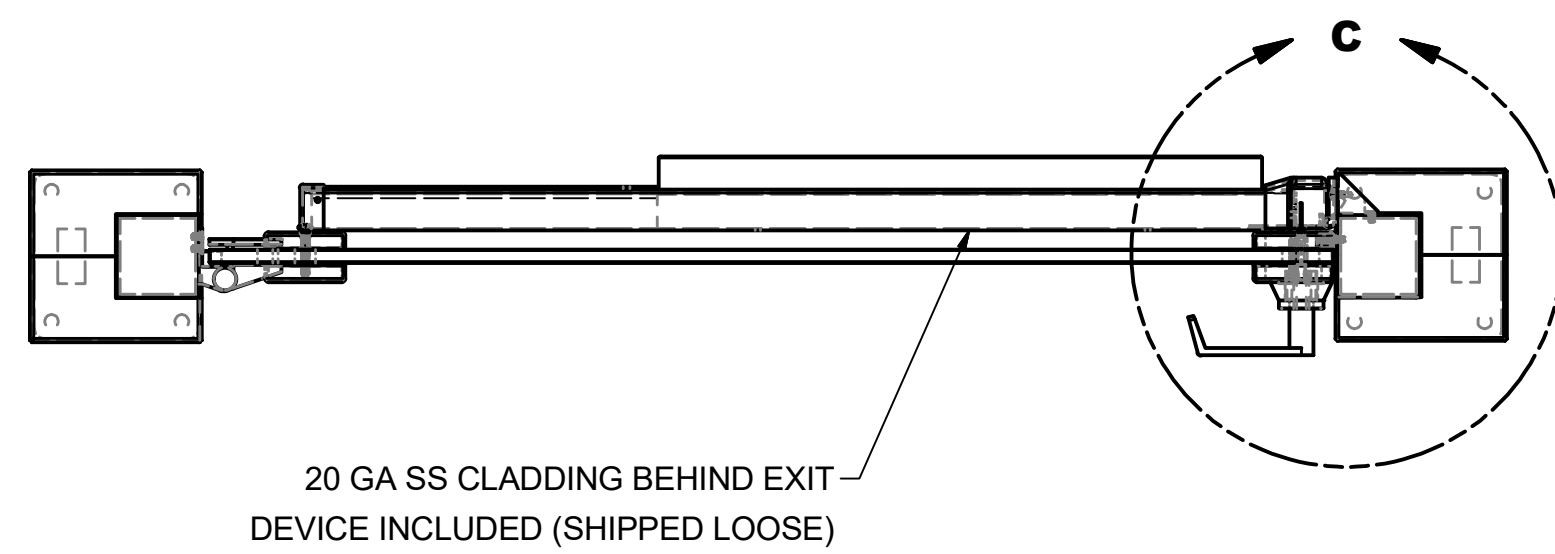
A
PATCH DETAIL
SCALE 1 / 2

B
PATCH DETAIL
SCALE 1 / 2

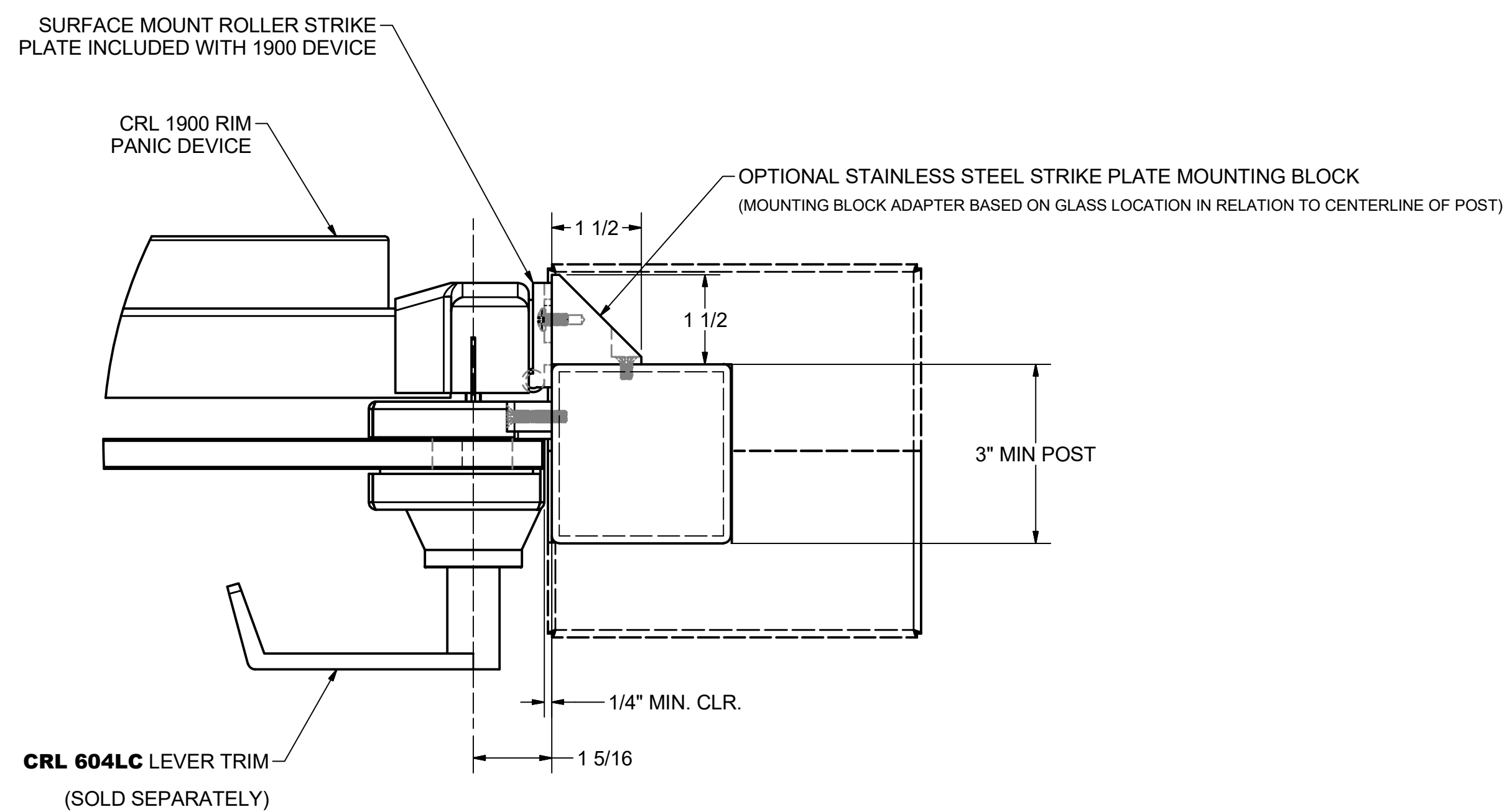
CRL 1/2" GLASS MOUNTING PAD SET CAT# 1900SP

FOR USE WITH CRL 1900 SERIES RIM PANIC 2CH EXTERIOR RIM CYLINDER
NON HANDED AND REVERSIBLE (ADDITIONAL STRIKE-SIDE CLADDING PROVIDED)
UL LISTED

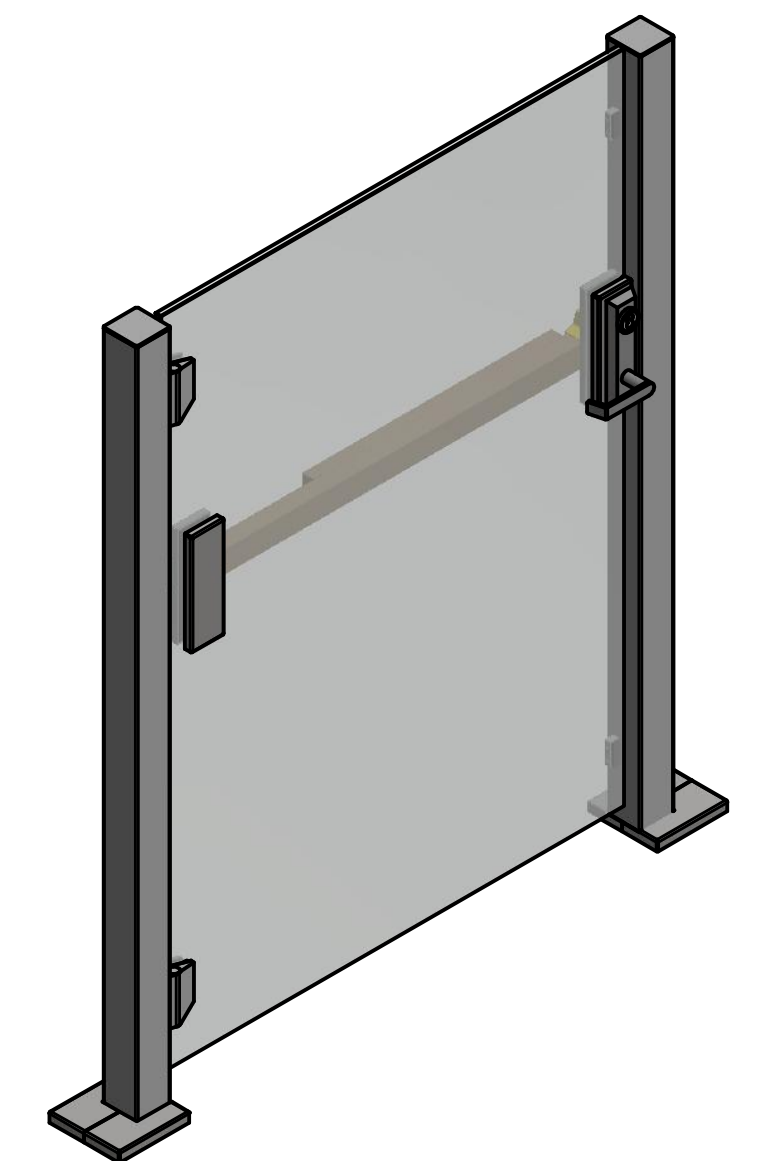
- AVAILABLE FINISHES:
- BRUSHED STAINLESS - 1900SPBS
 - POLISHED STAINLESS - 1900SPPS
 - CUSTOM POWDER COATED FINISHES ALSO AVAILABLE - 1900SPPT



NOTE: THE 1900 SERIES RIM PANIC, 1600 SERIES EXTERIOR TRIM, MORTISE CYLINDER AND LOCKING RING ARE SOLD SEPARATELY



C
HANDLE AND POST PLAN VIEW
SCALE 1 / 2

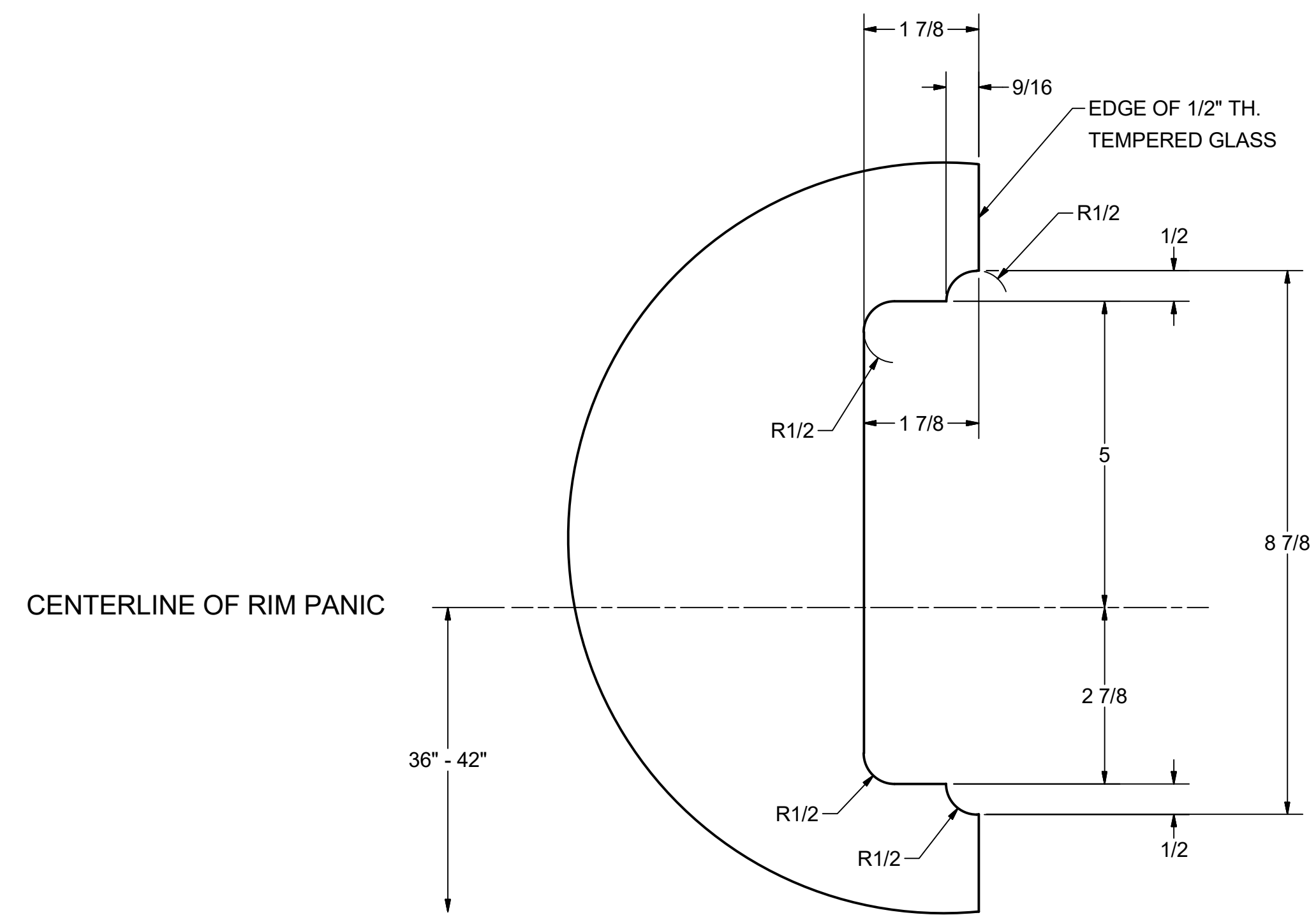


2200 East 55th Street, Vernon, California 90058
PH (323) 588-1281 | Fax (323) 232-2523

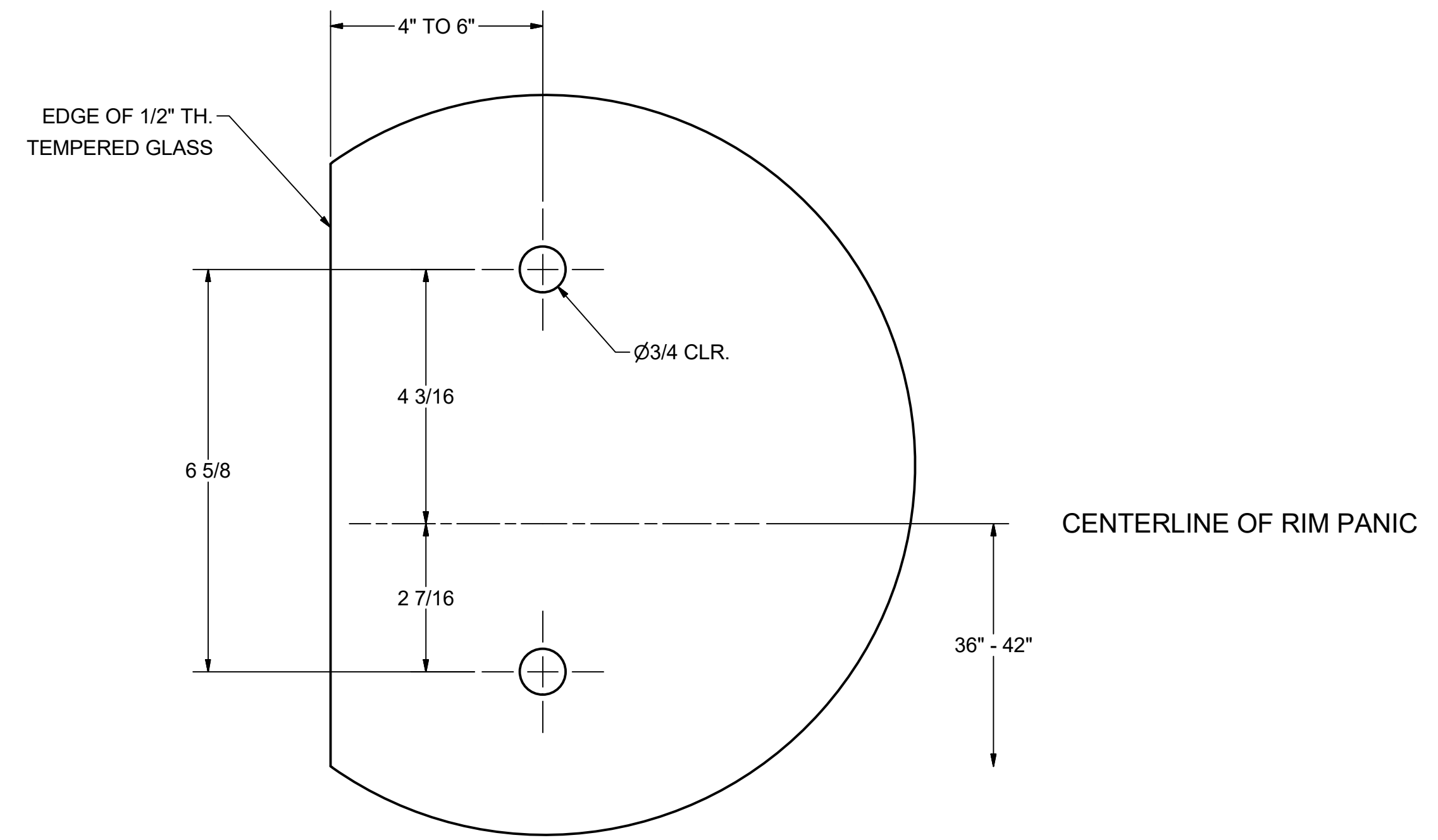
Unless Otherwise Specified
Dimensions are in inches.
Tolerance is:

Fraction	± 1/32
.XX	± .015
.XXX	± .010
Angles	± 1

Product	CRL 1/2" GLASS MOUNTING PAD SET	
CAT #	1900SPBS & 1900SPPS	
Notes		
Drawn By	JO	The Drawings and Design Shown Therein is the Property of C.R. Laurence Co., Inc. Use and Copies Thereof Cannot be Made Without Written Consent
Date	6/23/2017	
Rev. No.		



E
GLASS FABRICATION DETAIL
 SCALE 1 / 2



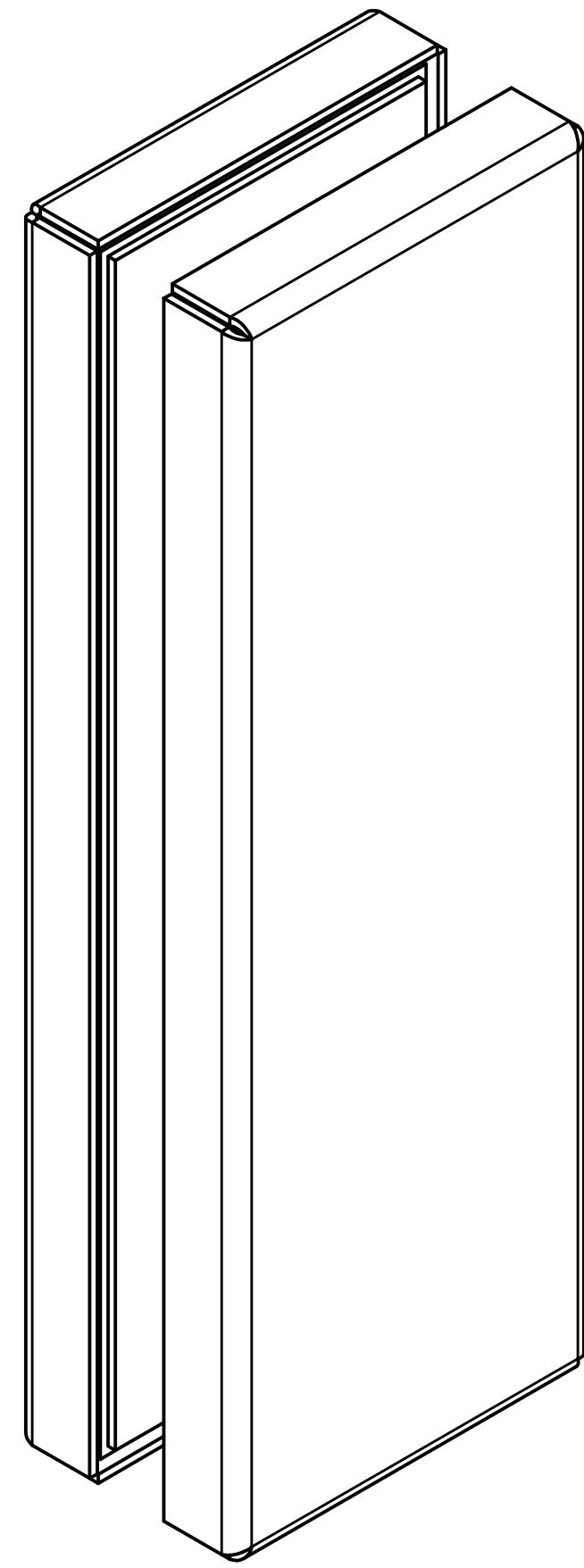
D
GLASS FABRICATION DETAIL
 SCALE 1 / 2



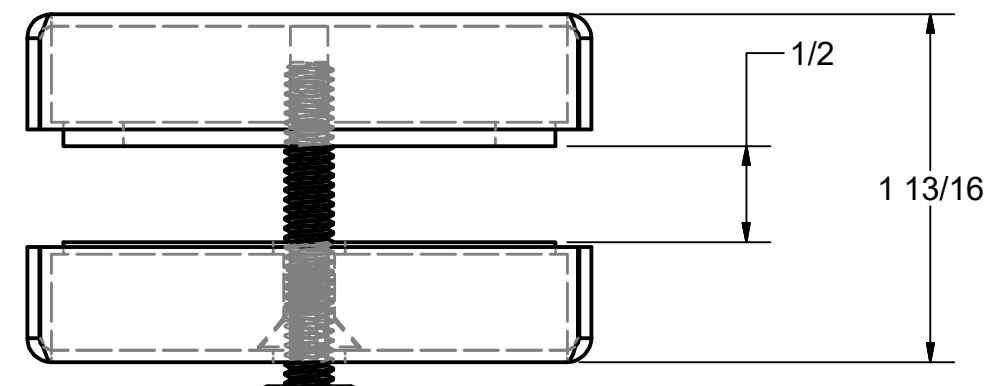
Unless Otherwise Specified
 Dimensions are in inches.
 Tolerance is:

Fraction ± 1/32
 .XX ± .015
 .XXX ± .010
 Angles ± 1

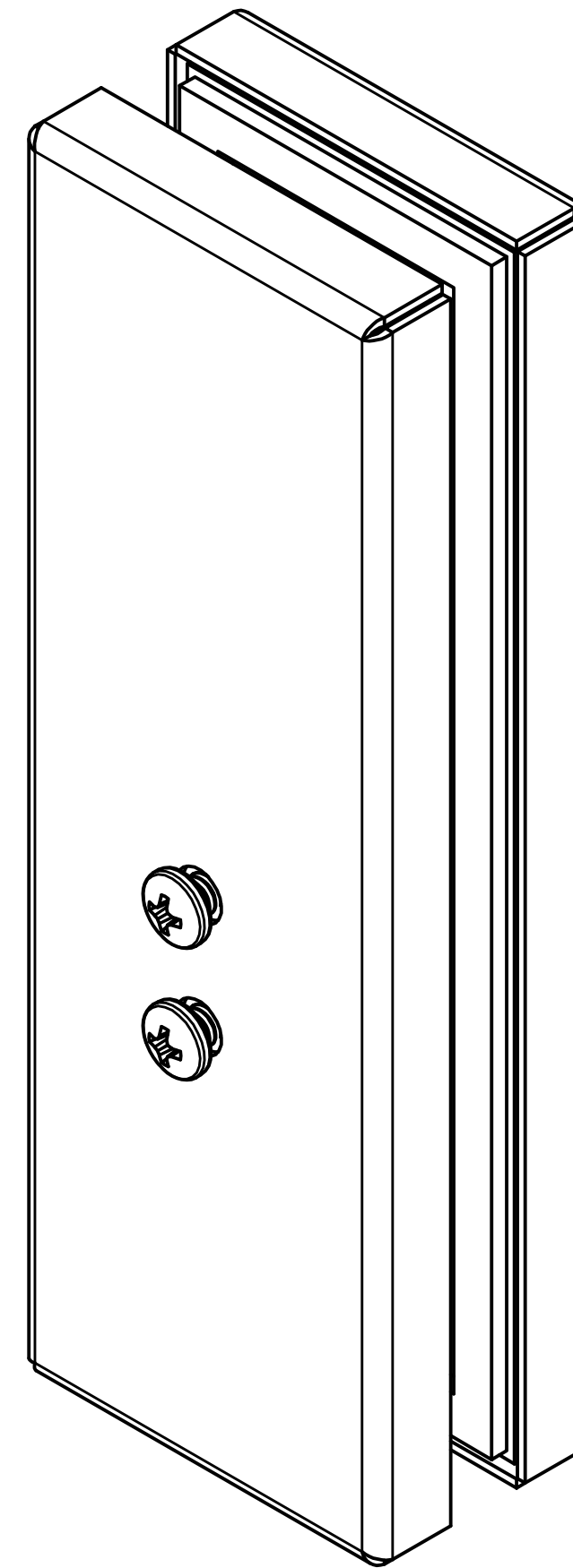
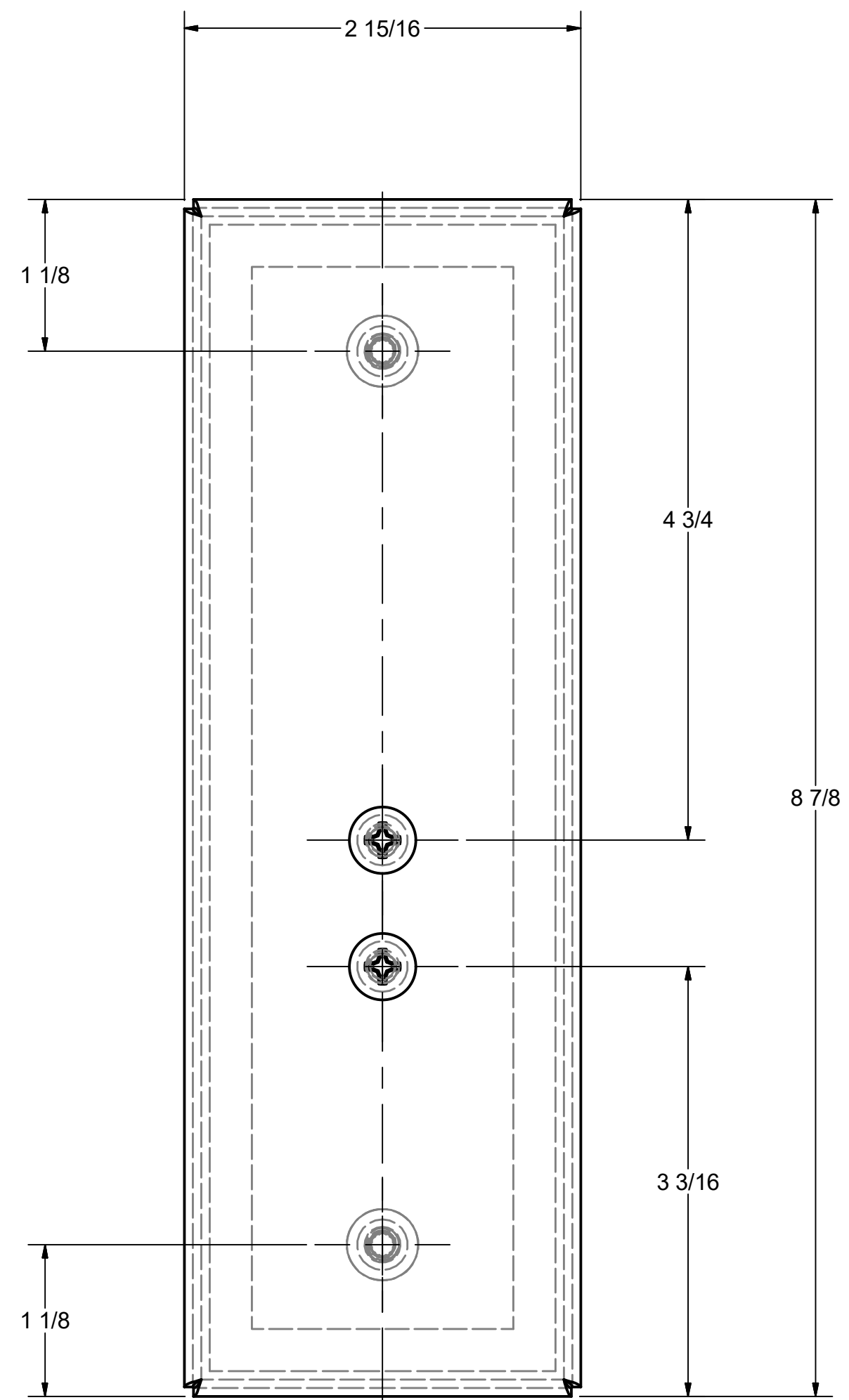
Product	1/2" TEMPERED MONOLITHIC GLASS CUTOUT DETAILS	
CAT #	1900SPBS & 1900SPPS	
Notes		
Drawn By	JO	The Drawings and Design Shown Therein is the Property of C.R. Laurence Co., Inc. Use and Copies Thereof Cannot be Made Without Written Consent
Date	6/23/2017	
Rev. No.		



EXTERIOR VIEW



1/4"-20 SS PAN HEAD
MACHINE SCREW



INTERIOR VIEW

Item: 1900SPBS/PS
Lever Trim Glass Mounting Pads, Brushed SS Finish, Exterior View

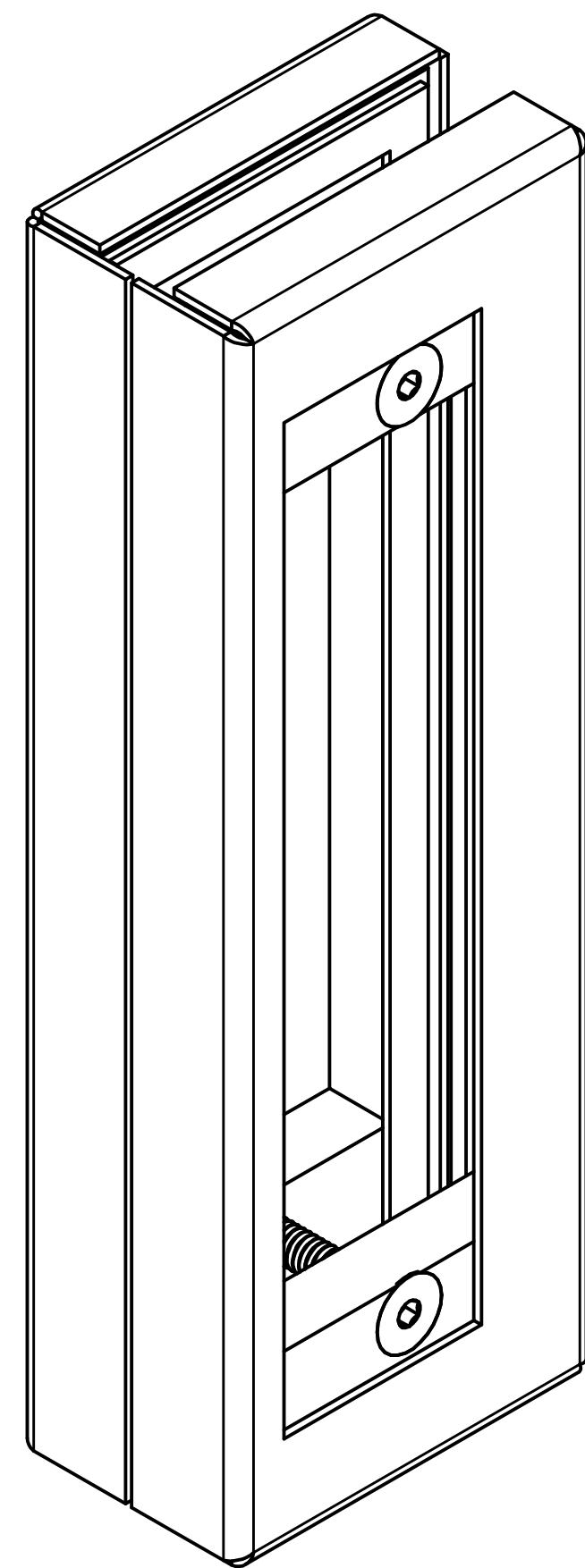


2200 East 55th Street, Vernon, California 90058
PH (323) 588-1281 | Fax (323) 232-2523

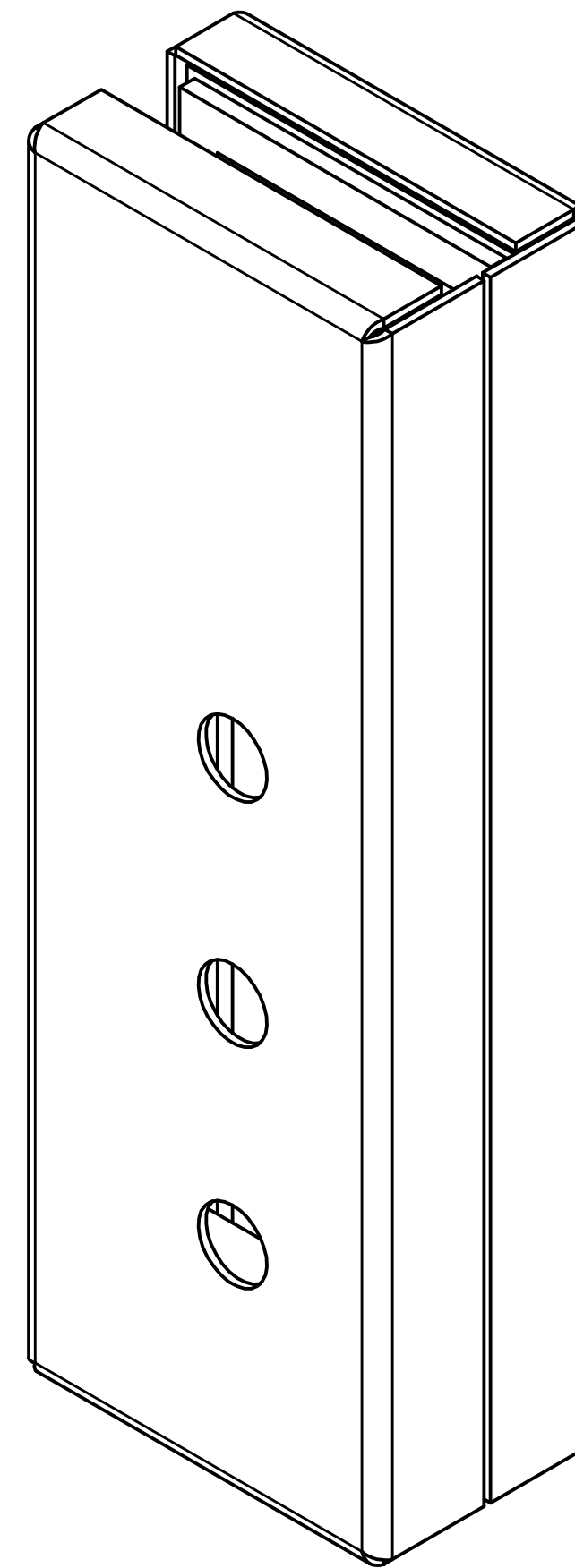
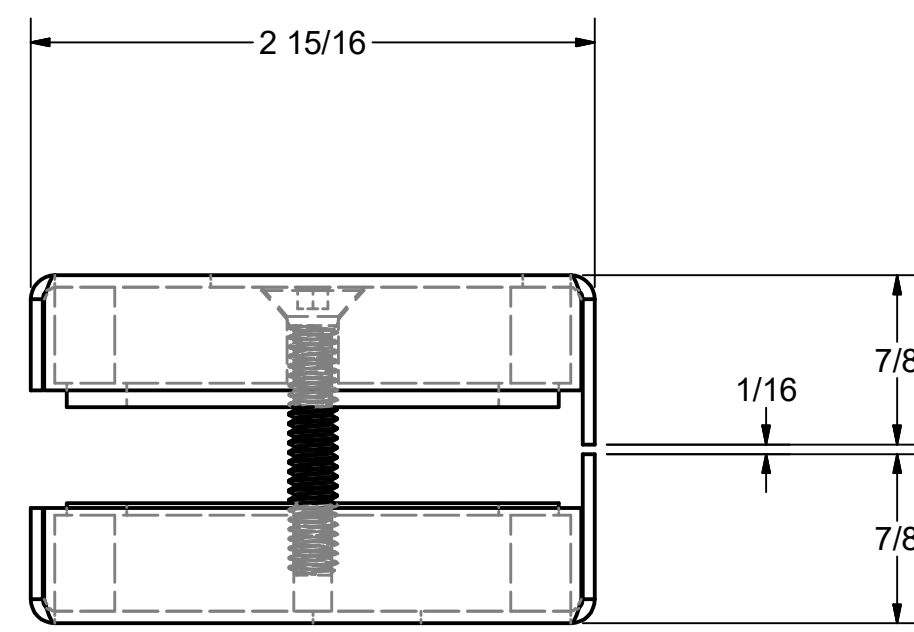
Unless Otherwise Specified
Dimensions are in inches.
Tolerance is:

Fraction ± 1/32
.XX ± .015
.XXX ± .010
Angles ± 1

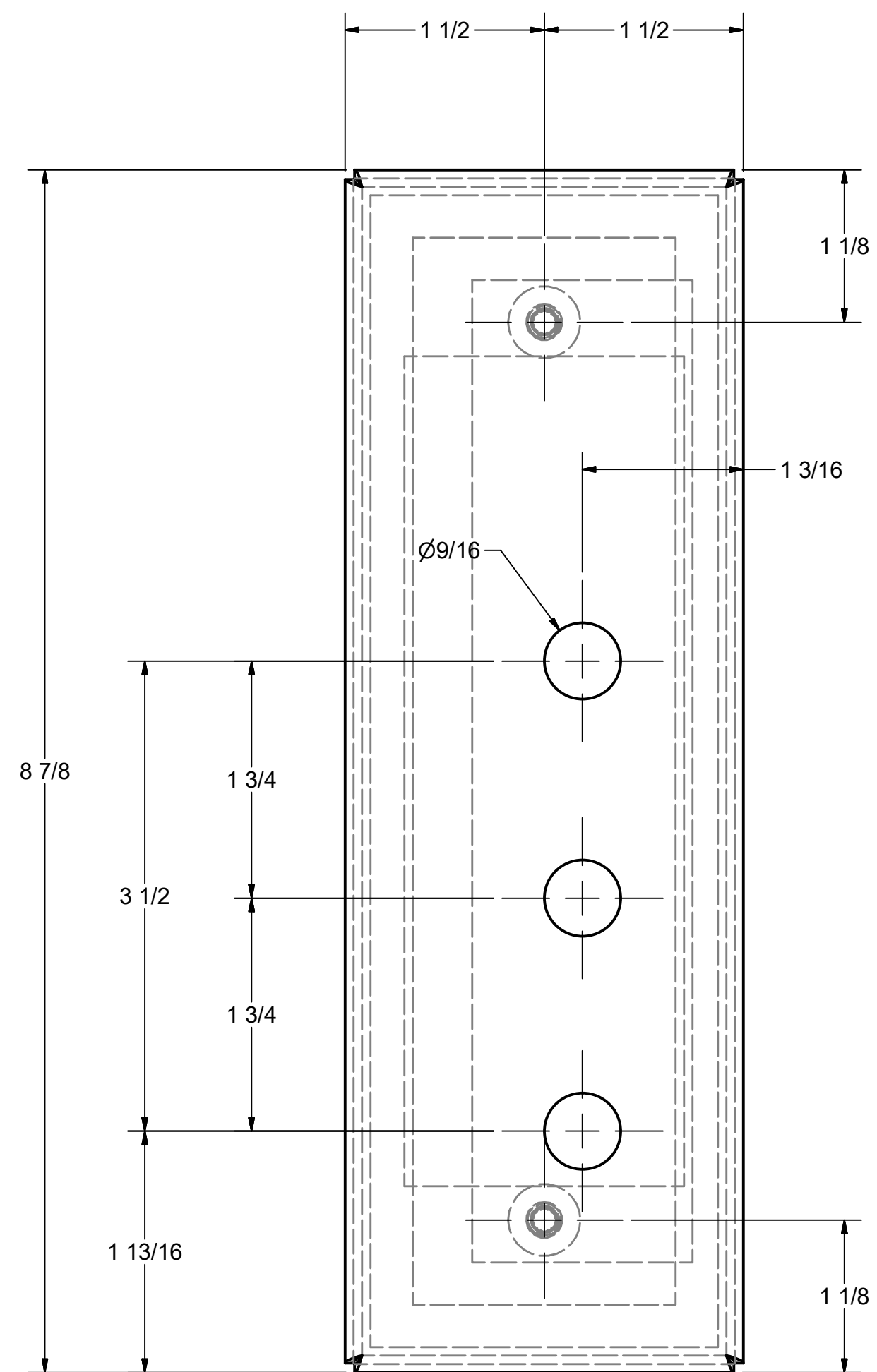
Product	CRL 1/2" GLASS MOUNTING PAD SET	
CAT #	1900SPBS & 1900SPPS	
Notes		
Drawn By	JO	The Drawings and Design Shown Therein is the Property of C.R. Laurence Co., Inc. Use and Copies Thereof Cannot be Made Without Written Consent
Date	6/23/2017	
Rev. No.		



EXTERIOR VIEW



INTERIOR VIEW



Item: 1900SPBS/PS
Lever Trim Glass Mounting Pads, Brushed SS Finish, Interior View



Unless Otherwise Specified
Dimensions are in inches.
Tolerance is:
Fraction ± 1/32
.XX ± .015
.XXX ± .010
Angles ± 1

Product	CRL 1/2" GLASS MOUNTING PAD SET	
CAT #	1900SPBS & 1900SPPS	
Notes		
Drawn By	JO	The Drawings and Design Shown Therein is the Property of C.R. Laurence Co., Inc. Use and Copies Thereof Cannot be Made Without Written Consent
Date	6/23/2017	
Rev. No.		