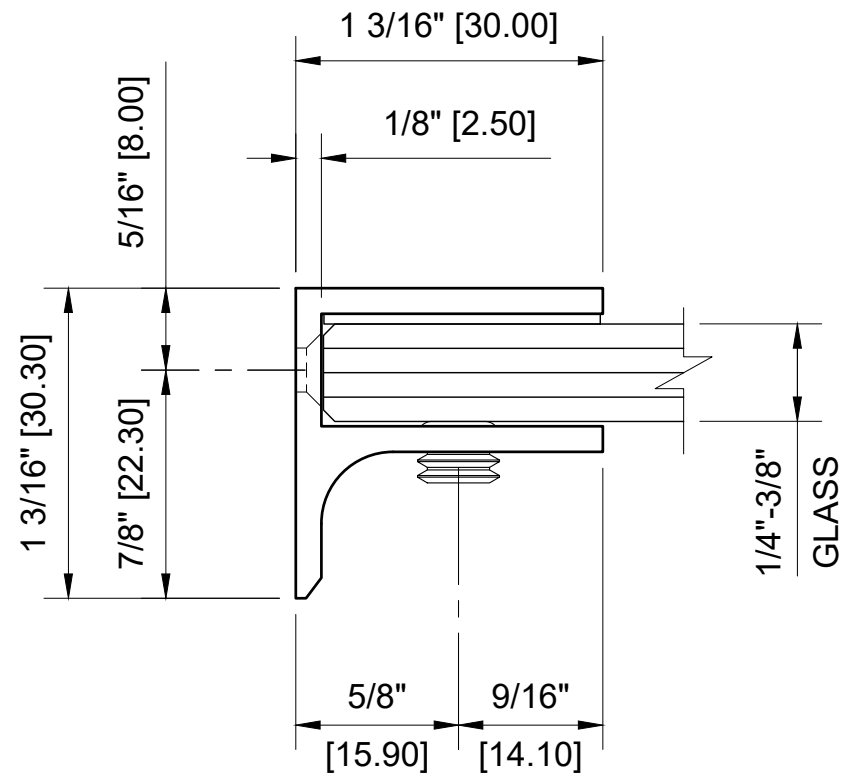
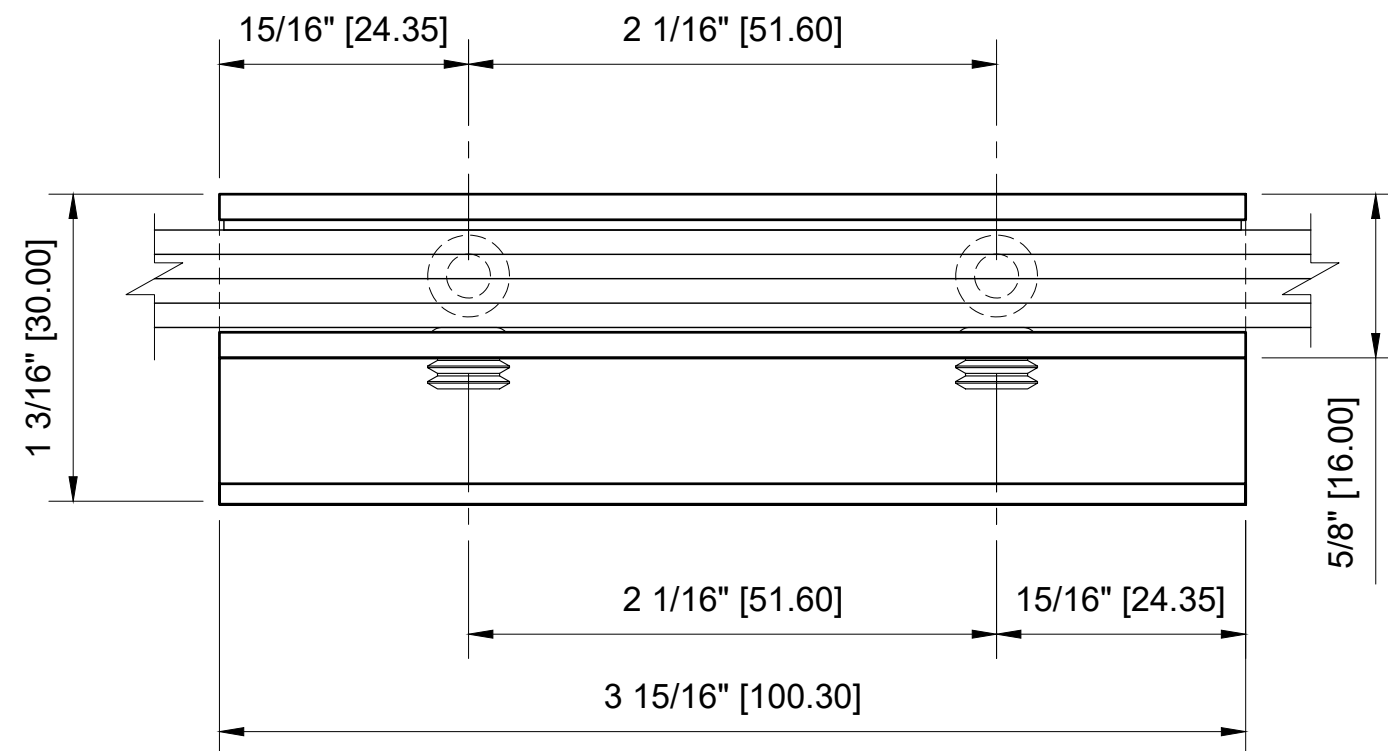
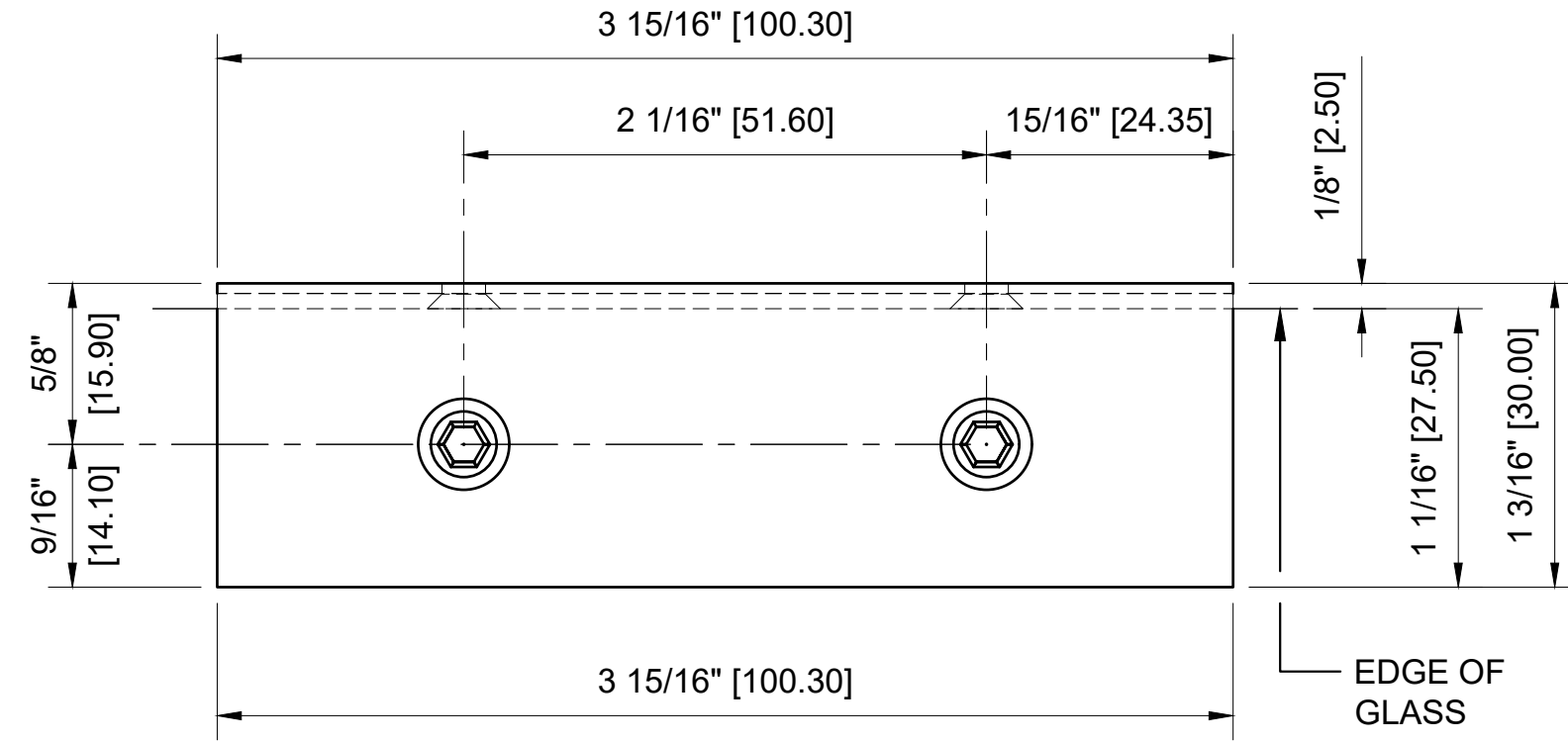


1/4" (6mm) GLASS:  
 3/8" (10mm) GLASS:



CRL - EH128 LONG RECTANGULAR INTERIOR SHELF CLAMP WITH SUPPORT LEG FOR 1/4" - 3/8" GLASS

DATE: 5-26-2020  
 SCALE: 1'-0"=1'-0"  
 DRAWN BY: VM

DESCRIPTION: CRL - EH128 CHROME  
 CTS  
 RECTANGULAR INTERIOR SHOWER SHELF CLAMP  
 WITH SUPPORT LEG

C.R. LAURENCE CO. ARCHITECTURAL PRODUCTS  
 2503 E. Vernon Avenue, Los Angeles, CA 90058-1897  
 PH (800)-421-6144 FX: 800-587-7501 www.crlaurence.com

