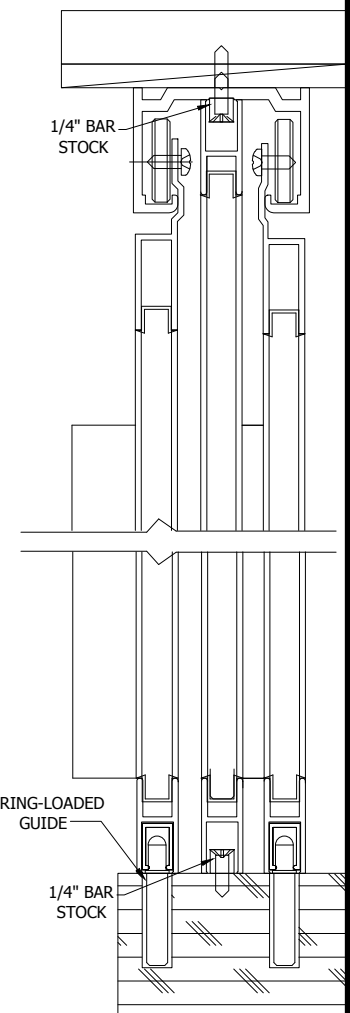
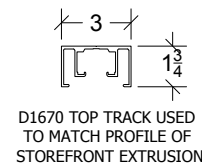
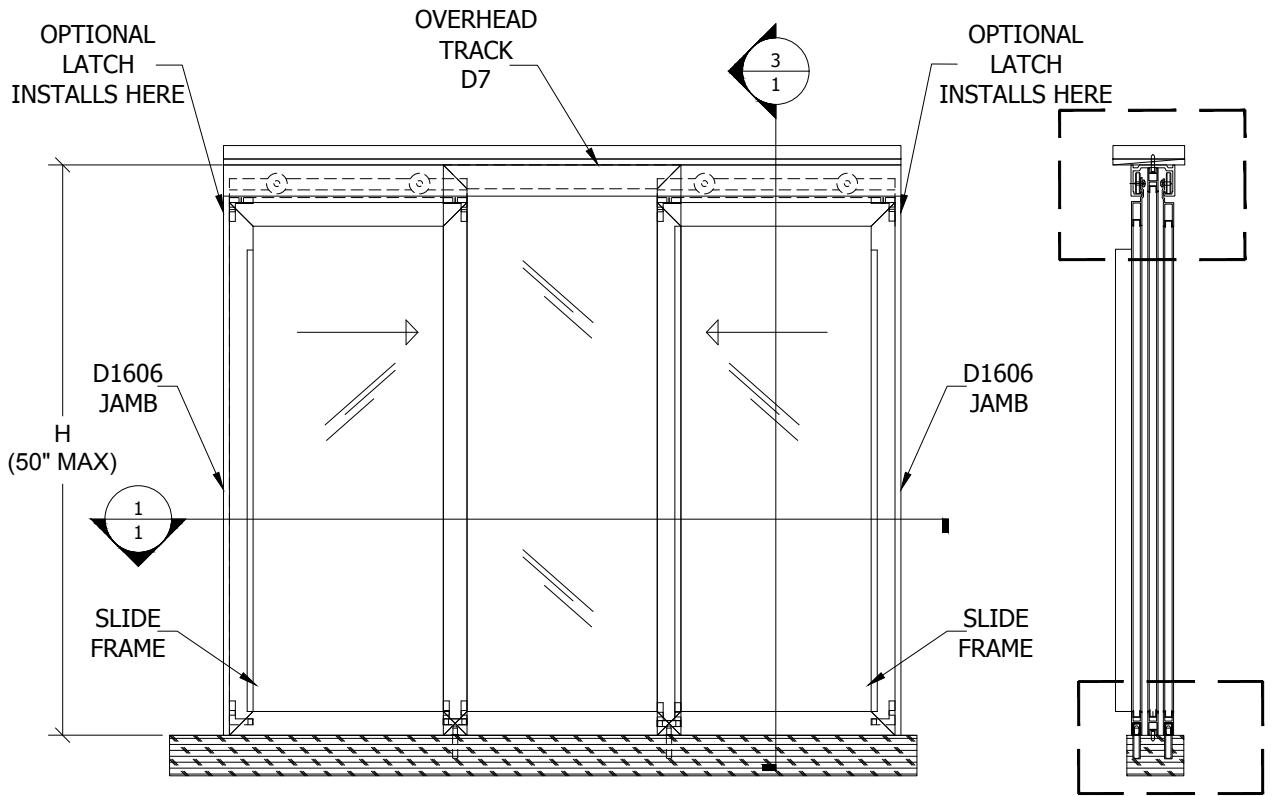


REV	DESCRIPTION	DATE	BY



2 ELEVATION VIEW
REF: Scale: NTS.

3 SECTION VIEW
Scale: NTS.



1 PLAN VIEW
REF: Scale: NTS.

4 SECTION VIEW
Scale: NTS.

ALWAYS USE DIMENSIONS SHOWN ON THE PLAN.
DO NOT SCALE OR DIMENSION ACTUAL DRAWING
TO ENSURE ACCURACY

CAT. NO.	FINISH	OVERHEAD	SCREEN
D1022A	SATIN ANODIZED	D7	NO
D1022DU	DURANODIC BRONZE	D7	NO
D1023A	SATIN ANODIZED	D1670	NO
D1023DU	DURANODIC BRONZE	D1670	NO



ARCHITECTURAL PRODUCTS
PH: 800-421-6144 FX: 800-262-3299
WWW.CRLAURENCE.COM

DESCRIPTION: **ARLENE MODEL PASS-THRU**
MODELS D1022 & D1023 INTERIOR USE ONLY

CAT. NO: D1022 / D1023	DATE: 6-14-17
FILE NAME: D1022 & D1023	SCALE: AS SHOWN
DRAWN BY: J.V.	CHECKED BY: R.D.
SHT 1 OF 1	