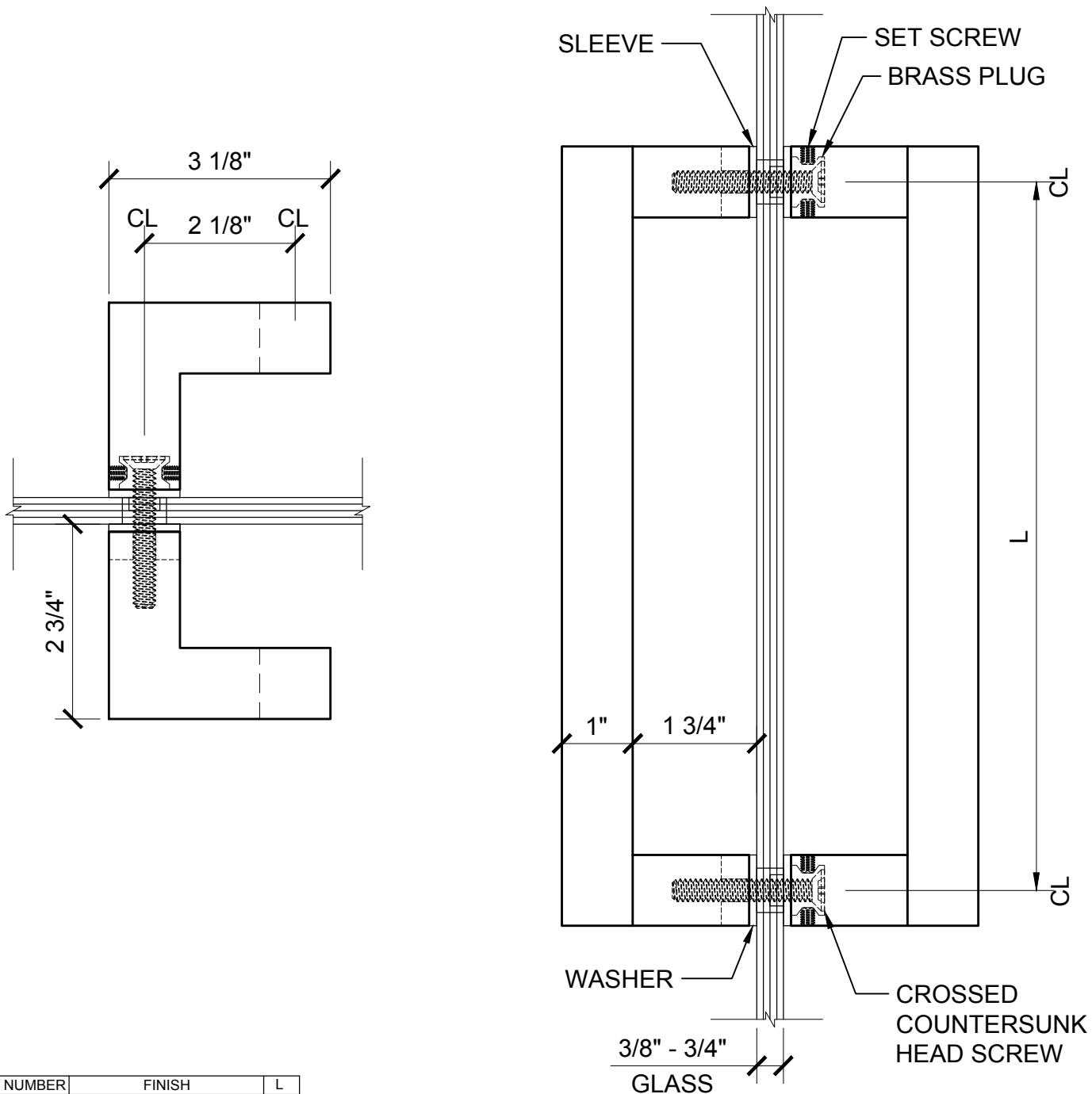


1" (25mm) SQ. Stainless Steel Tubing
Glass Thickness Range: 3/8" to 3/4" (10mm to 19 mm)
Hole Diameter Required: 5/8" (16mm) (2)



PART NUMBER	FINISH	L
S010X10BS	BRUSHED STAINLESS	10"
S010X10PS	POLISHED STAINLESS	10"
S012X12BS	BRUSHED STAINLESS	12"
S012X12PS	POLISHED STAINLESS	12"
S018X18BS	BRUSHED STAINLESS	18"
S018X18PS	POLISHED STAINLESS	18"
S024X24BS	BRUSHED STAINLESS	24"
S024X24PS	POLISHED STAINLESS	24"



C.R. LAURENCE CO. ARCHITECTURAL PRODUCTS
 2503 E. Vernon Avenue, Los Angeles, C.A 90058-1897
 PH (800)-421-6144 FX: 800-587-7501 www.crlaurence.com

DESCRIPTION: CRL SO SERIES OFFSET SQUARE PULL HANDLE
 PART #: SEE CHART

DATE: 11/8/2018
 SCALE: NTS
 DRAWN BY: VM