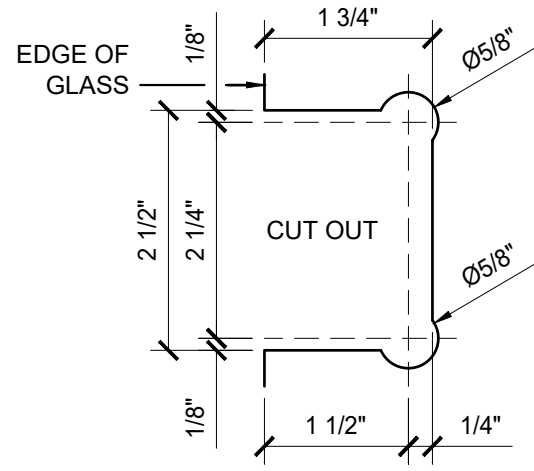
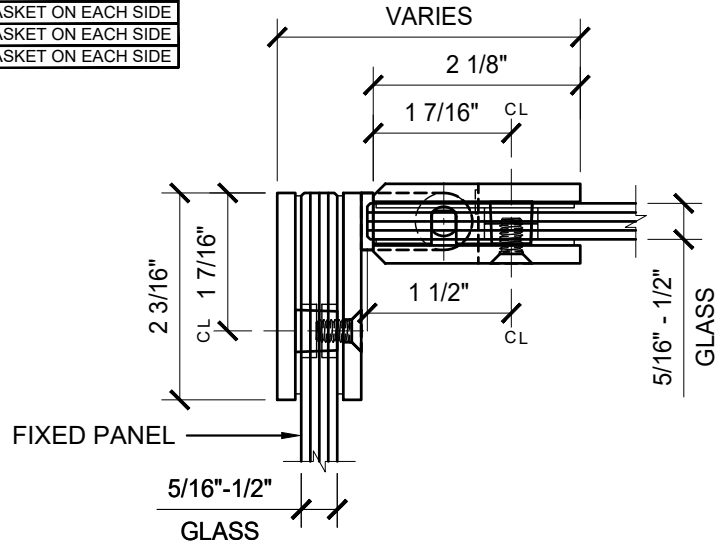


USE OF GASKETS

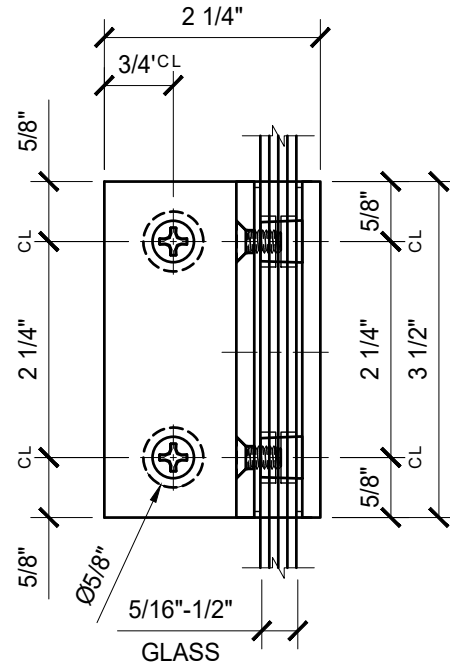
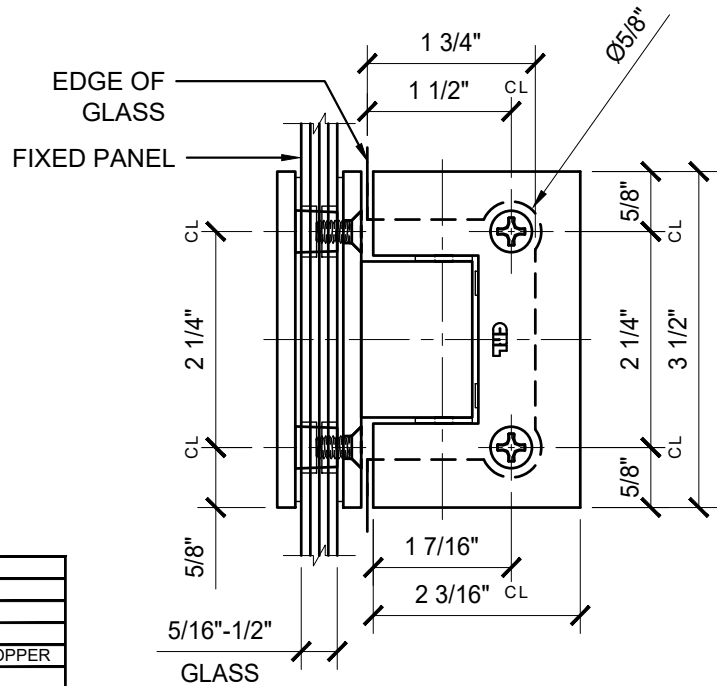
FOR 5/16" (8mm) GLASS: USE ONE THICK GASKET ON EACH SIDE

FOR 3/8" (10mm) GLASS: USE ONE THICK GASKET ON EACH SIDE

FOR 1/2" (12mm) GLASS: USE ONE THIN GASKET ON EACH SIDE



GLASS FABRICATION TEMPLATE 1 OF 2



CATALOG NUMBER	FINISH
GEN092CH	CHROME
GEN092BR	BRASS
GEN092ORB	OIL RUBBED BRONZE
GEN092ABC0	ANTIQUÉ BRUSHED COPPER
GEN092ABL	ALL BLACK
GEN092ABR	ANTIQUÉ BRASS
GEN092BN	BRUSHED NICKEL
GEN092BSC	BRUSHED SATIN CHROME
GEN092GP	GOLD PLATED
GEN092PN	POLISHED NICKEL
GEN092SB	SATIN BRASS
GEN092SC	SATIN CHROME

**GEN092XX - CRL GENEVA SERIES 90 DEGREE GLASS TO GLASS HINGE**

DATE: 6/28/17  
SCALE: 6"=1'-0"  
DRAWN BY: VM

DESCRIPTION: CRL GEN092  
GENEVA SERIES 90 DEGREE  
GLASS TO GLASS HINGE

C.R.LAURENCE CO. ARCHITECTURAL PRODUCTS  
2503 E. Vernon Avenue, Los Angeles, C.A 90058-1897  
PH (800)-421-6144 FX: 800-587-7501 www.crlaurence.com

