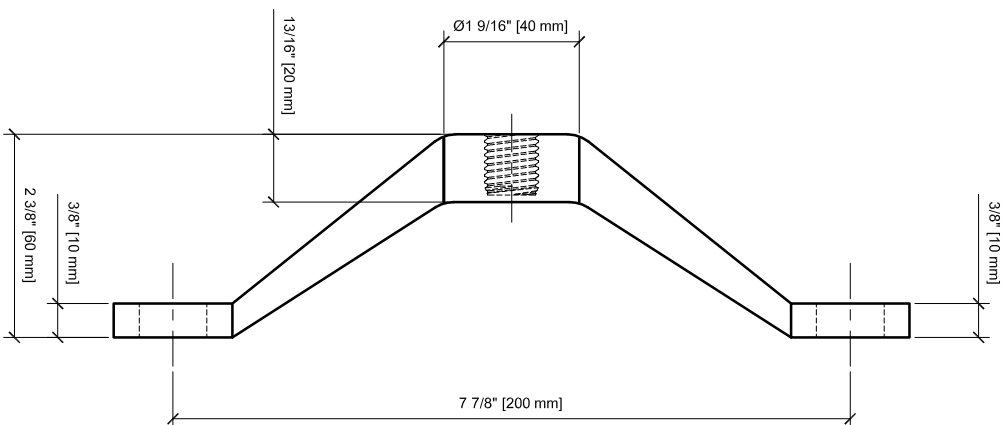



PMR4



| | | | | | |
|---|--|--|--|--|--------------------------------|
| Drawn By: RGA Date: 05/13/10 Scale: As Noted Job No.: 20-000 Sheet No.: 1 | Glazing Contractor : CR LAURENCE Address 1 Address 2 Tel 1 xxx xxx xxxx Fax 1 xxx xxx xxxx | Project Name : PMR4 SPIDER FITTING - - | Architect : - - - Tel - Fax - |  C.R. LAURENCE CO. © ARCHITECTURAL PRODUCTS 2503 E. Vernon Avenue, Los Angeles, CA 90058-1897 PH (800) 421-6144 FAX (800) 262-3299 www.crlaurence.com | Revisions By: JD - x0000000 |
|---|--|--|--|--|--------------------------------|