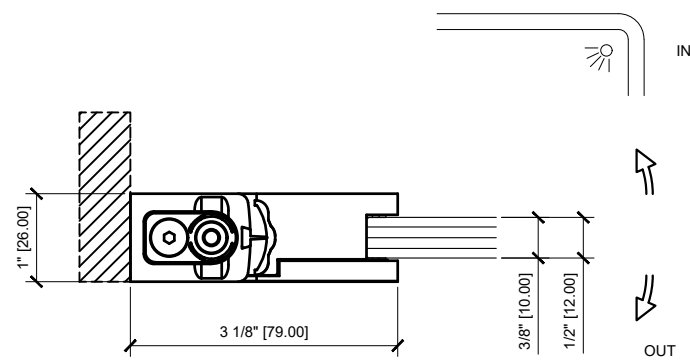


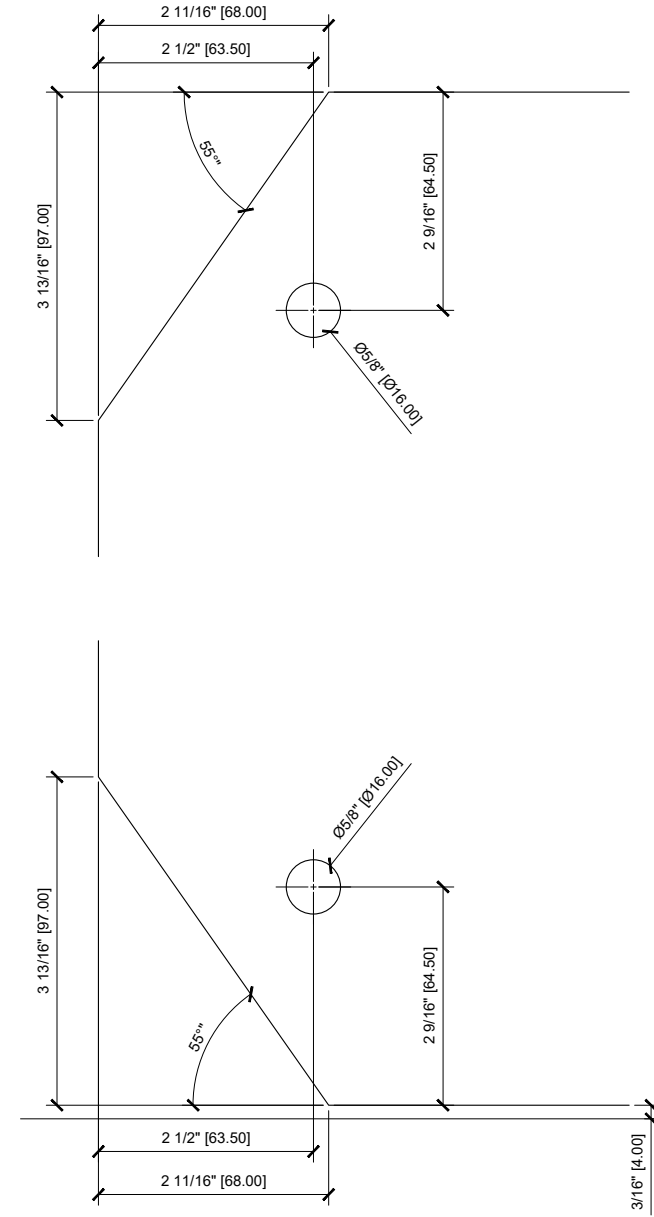
② SIDE VIEW DETAIL

ARCH REF: SCALE: 1'-0"=1'-0"



① PLAN VIEW DETAIL

ARCH REF: SCALE: 1'-0"=1'-0"



③ GLASS CUT OUT DETAIL

ARCH REF: SCALE: 1'-0"=1'-0"

Revisions By:

**CRL.**

2503 E. Verdon Avenue, Los Angeles, CA 90058-1897  
 PH (800) 421-0144 FAX 800-887-7501 www.crlaurence.com

Description:

CRL ZERO HINGE SYSTEM

Drawn By: AB

Date: 08/21/2024

Scale: AS NOTED

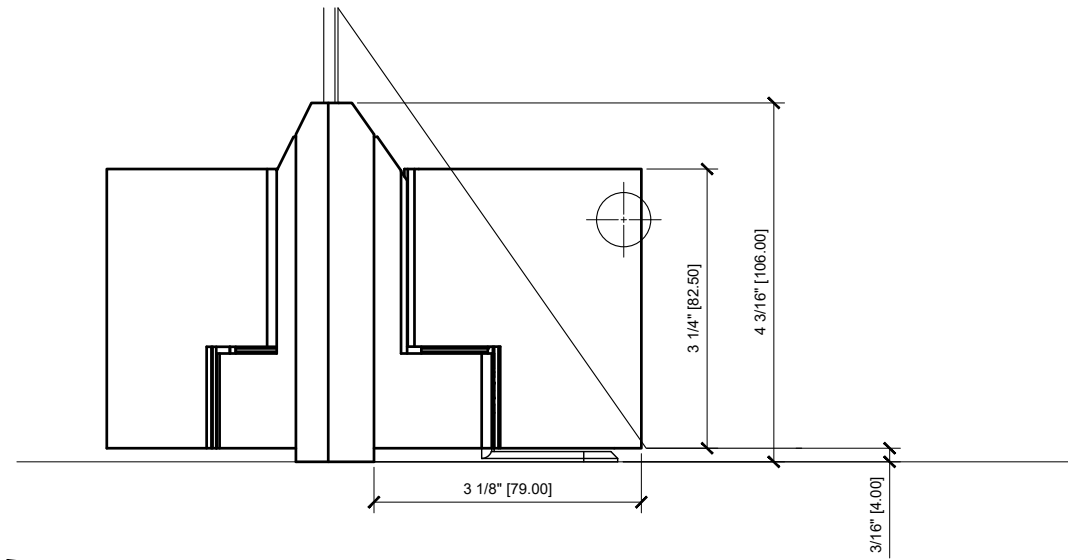
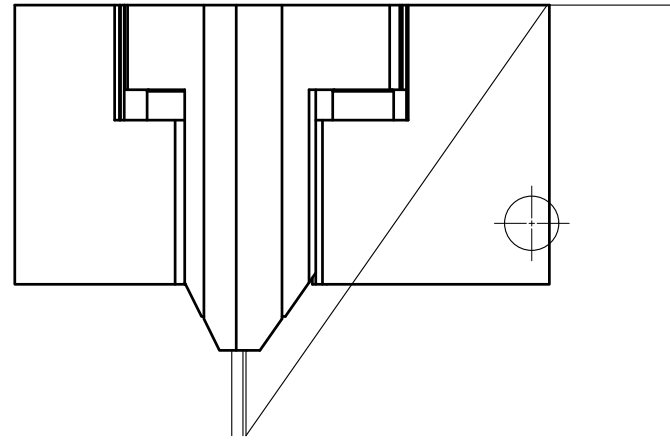
File Name:

SYS0133A\_ZERO HINGE SYSTEM DRAWINGS

Sheet

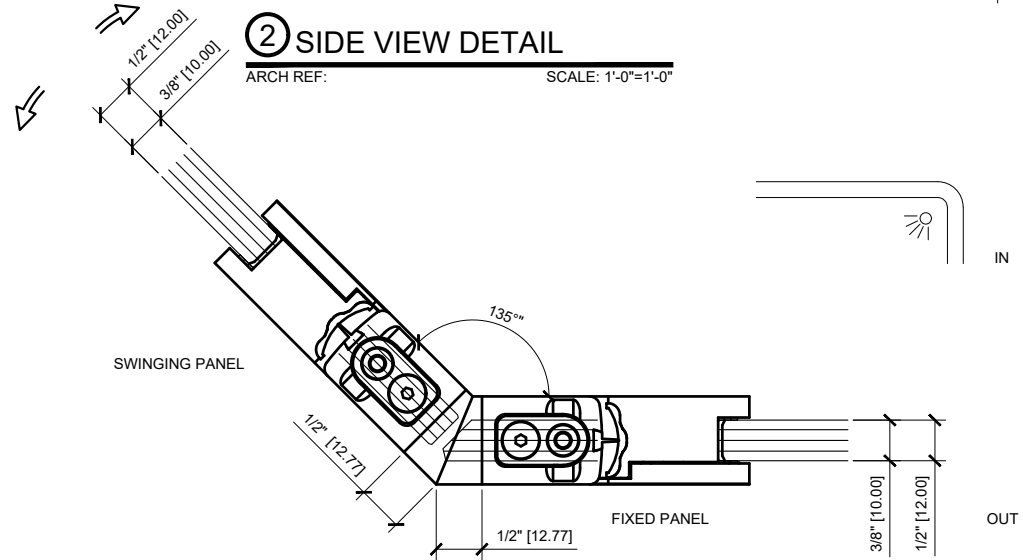
2.01





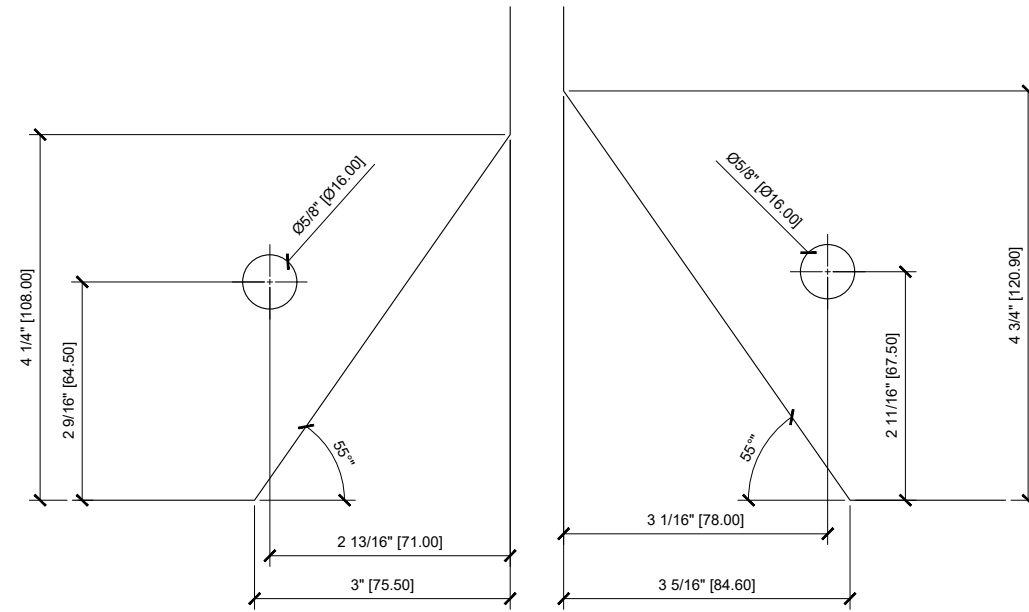
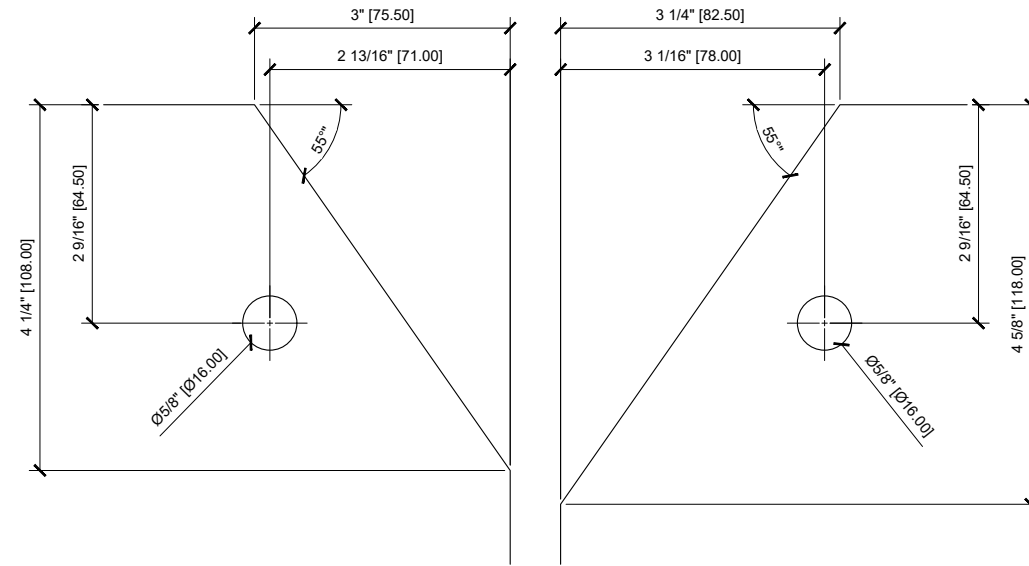
② SIDE VIEW DETAIL

ARCH REF: SCALE: 1'-0"=1'-0"



① PLAN VIEW DETAIL

ARCH REF: SCALE: 1'-0"=1'-0"



③ GLASS CUT OUT DETAIL

ARCH REF: SCALE: 1'-0"=1'-0"

Revisions By:

**CRL.**

2503 E. Verdon Avenue, Los Angeles, CA 90058-1897  
PH (800) 421-0144 FX (800) 887-7501 www.crlaurence.com

Description:

CRL ZERO HINGE SYSTEM

Drawn By: AB

Date: 08/21/2024

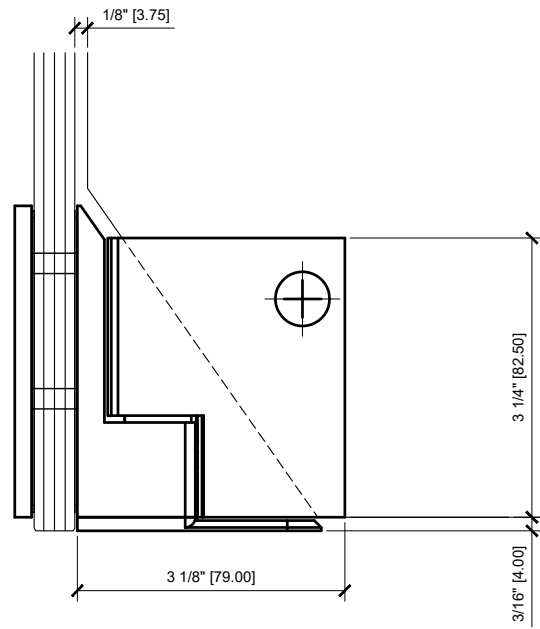
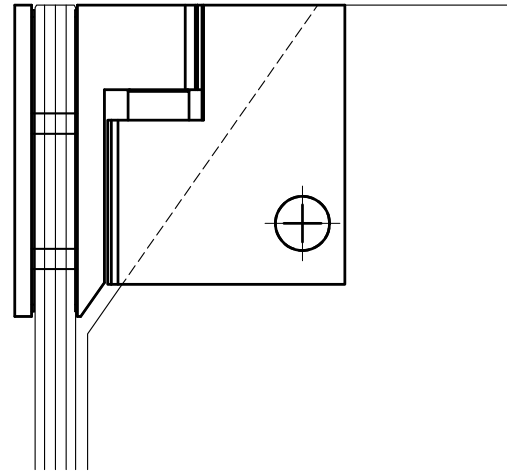
Scale: AS NOTED

File Name:

SYS0133A\_ZERO HINGE SYSTEM DRAWINGS

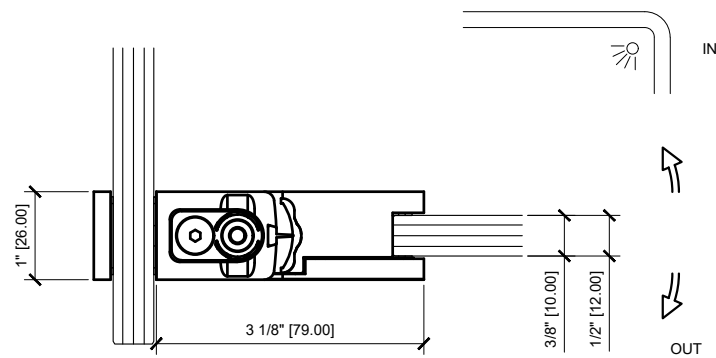
Sheet

2.03



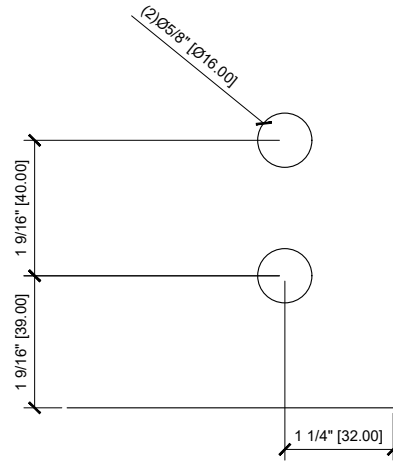
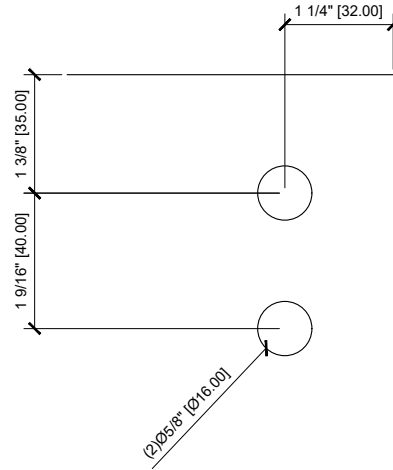
② SIDE VIEW DETAIL

ARCH REF: SCALE: 1'-0"=1'-0"



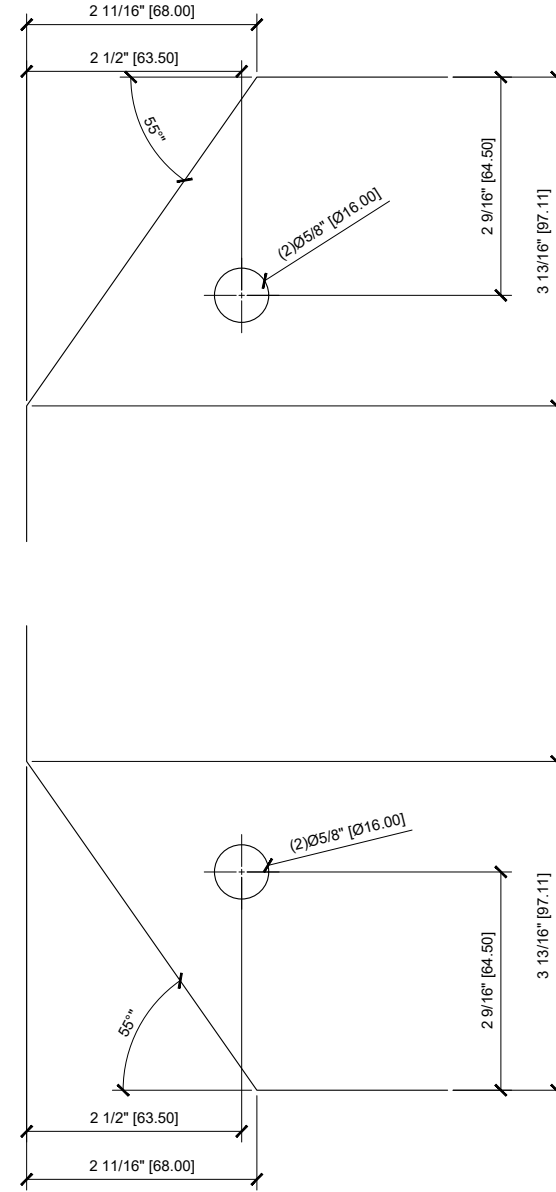
① PLAN VIEW DETAIL

ARCH REF: SCALE: 1'-0"=1'-0"



③ GLASS CUT OUT DETAIL

ARCH REF: SCALE: 1'-0"=1'-0"



Revisions By:

**CRL**

2503 E. Vernon Avenue, Los Angeles, CA 90058-1897  
PH (800) 421-0144 FAX (800) 887-7501 www.crlaurence.com

Description:

CRL ZERO HINGE SYSTEM

Drawn By: AB

Date: 08/21/2024

Scale: AS NOTED

File Name:

SYS0133A\_ZERO HINGE SYSTEM DRAWINGS

Sheet

2.04