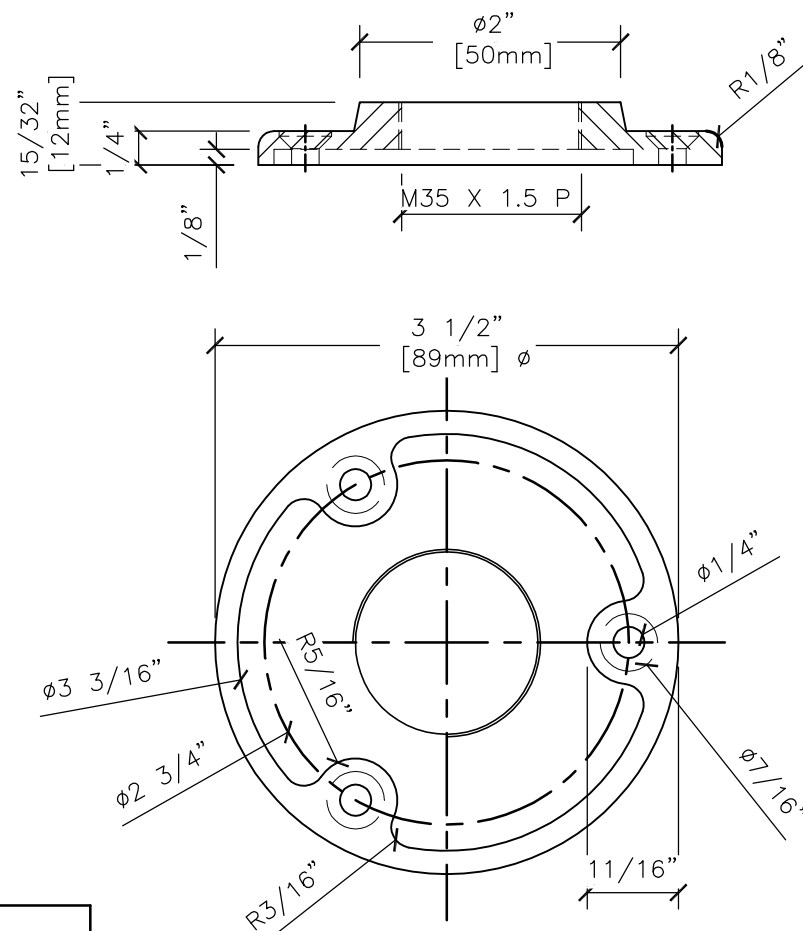
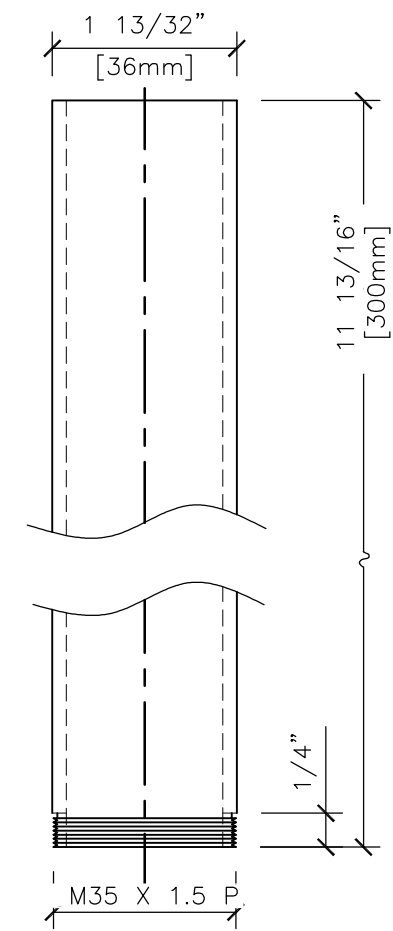


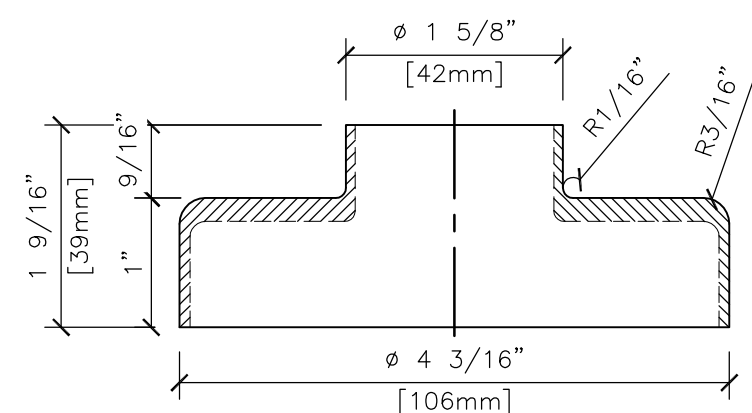
**STEEL FLANGE & CANOPY**



**FLANGE**



**STANCHION**



**COVER**

ALWAYS USE DIMENSIONS SHOWN ON THE PLAN.  
DO NOT SCALE OR DIMENSION ACTUAL DRAWING  
TO ENSURE ACCURACY

CATALOG NUMBER	FINISH
HR15XBS	BRUSHED STAINLESS STEEL
HR15XPS	POLISHED STAINLESS STEEL
HR15XPB	POLISHED BRASS
HR15XCBS	BRUSHED STAINLESS CANOPY
HR15XCPB	POLISHED BRASS CANOPY
HR15XCPS	POLISHED STAINLESS CANOPY

**SPECIFICATIONS:**  
MATERIAL: 304 STAINLESS STEEL

 <b>C.R. LAURENCE CO. ®</b>	 <b>ARCHITECTURAL PRODUCTS</b> PH: 800-421-6144 FX: 800-262-3299 WWW.CRLAURENCE.COM	DESCRIPTION:	CRL STEEL FLANGE AND CANOPY FOR 1-1/2" TUBING	CAT. NO: (SEE CHART)	DATE: 02/01/10
				FILE NAME: HR15X	SCALE: N.T.S.
		DRAWN BY: J.V.	CHECKED BY: R.E.D.	SHT 1 OF 1	