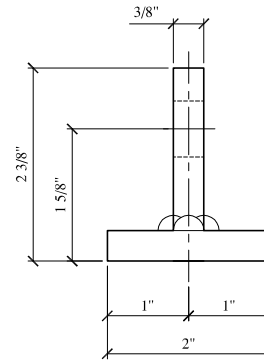
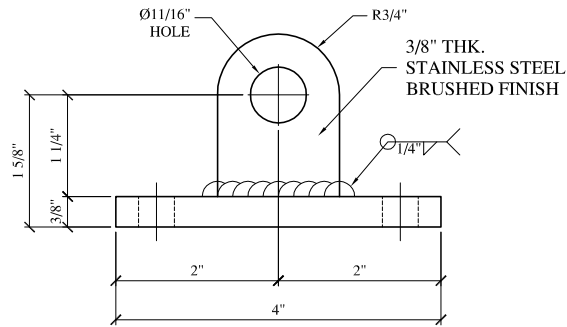
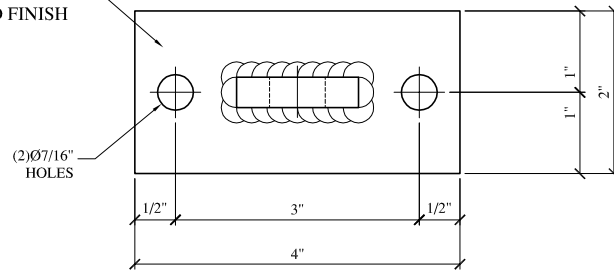


3/8" THK.  
STAINLESS STEEL  
BRUSHED FINISH



1 AW9SM16BS Scale: 1:1.5

CUSTOMER SIGNATURE: X

DATE: \_\_\_\_\_

REVISIONS



**ERL**  
C.R. LAURENCE CO.  
ARCHITECTURAL PRODUCTS

2501 E. Vermont Avenue, Los Angeles, CA 90068  
Phone: (818) 766-2529  
www.crlaurence.com

Part No:

No. AW9SM16BS

Phone: -  
Fax: -

DATE: 03-08-10

DRAWN BY: MS

CHECKED BY:

SCALE: 1:1.5

JOB #: \_\_\_\_\_

SHT 1 OF 1