

CRL DRX™ Modular Door Rail System

Patent No. US 10,871,026 B1



Advancing the Industry

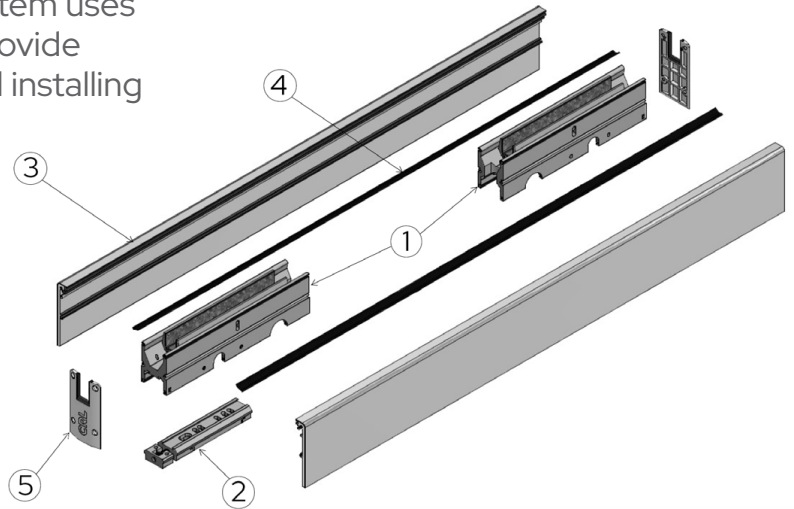
The CRL DRX™ Modular Door Rail System is a revolutionary dry-glaze door rail solution specifically designed to deliver maximum flexibility and customization with minimal lead times. The patented, modular system deconstructs a standard door rail to offer greater control over when, where, and how door rails are installed.

Two individual DRX door rail bodies are secured to the glass panel, no matter the width. Side covers and end caps are easily attached during or after door installation. This break-through innovation provides versatility, faster lead times, and easier on-site installation.

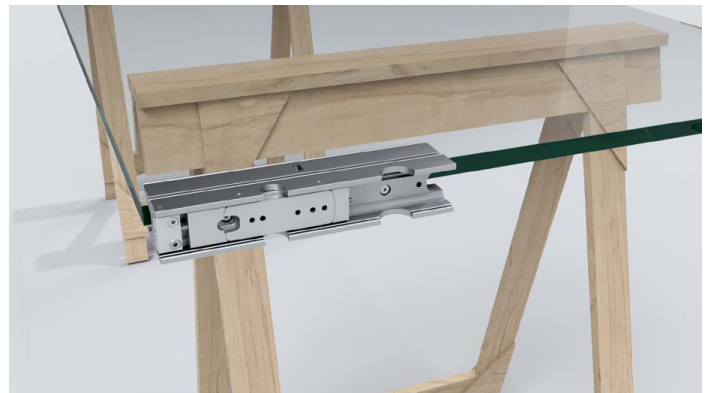
CRL | Features and Benefits

The CRL DRX™ Modular Door Rail System uses independent component parts that provide maximum flexibility when ordering and installing door rails:

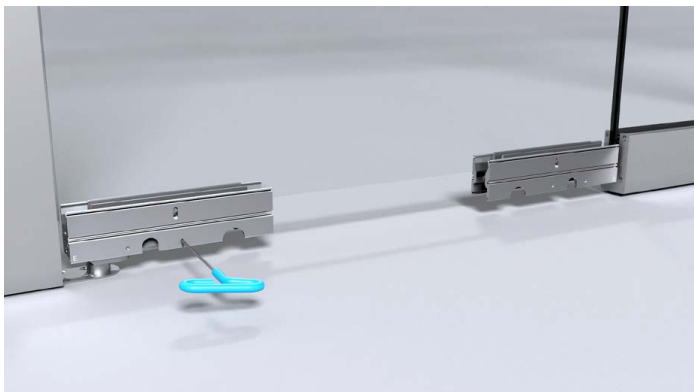
1. Door Rail Bodies (10-1/2" wide)
2. Adjustable Slide Block
3. Side Covers (cut to length)
4. Gaskets
5. End Caps



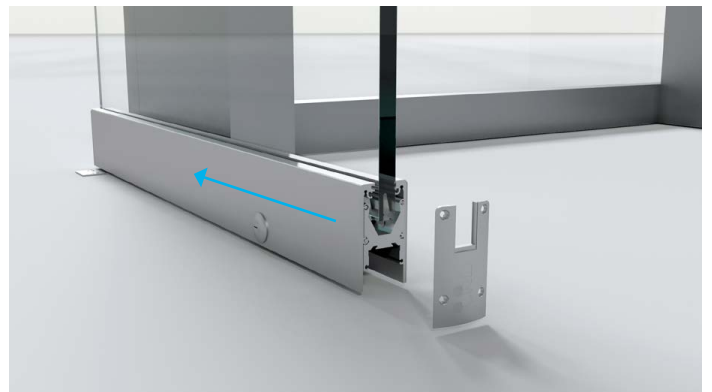
1. Secure modular Rail Bodies to the glass. Use Side Cover to achieve Rail Body alignment.



2. Attach Adjustable Slide Block to pivot end Rail Bodies.



3. Once door is installed, adjust door angle +/- 2 degrees for precise alignment with adjacent door or sidelite.



4. Slide Side Covers with Gaskets (if applicable) onto Rail Bodies then screw on End Caps.

CRL | Features and Benefits

Benefits to the Glass Tempered

- DRX Rail Bodies can be moved to accommodate standard or custom glass widths
- Stocking DRX modular components streamlines production schedule and gives greater control over lead times
- Rail Bodies are prepped for floor locks and Blumcraft® panic/egress/deadbolt handles, no further customization needed
- DRX Rail Bodies can be used as patch fittings, providing greater versatility

“ This is a great innovation because my customers will no longer have to wait for custom door rails. I can stock DRX parts which will give me more control over production and delivery.

Daniel Yi
Owner, Jasan Glass Inc. ”

Benefits to the Glazing Installer

- Improved Kwik-Adjust™ Pivot Alignment System allows these adjustments without having to remove the door from the pivot:
 - a. +/- 2 degrees of angle adjustment for precise alignment with adjacent sidelite
 - b. 3/16" (5 mm) of side-to-side adjustment in either direction
- Doors can be installed and are fully operational without Side Covers and End Caps
- Side Covers and End Caps are easily installed or replaced without removing the door

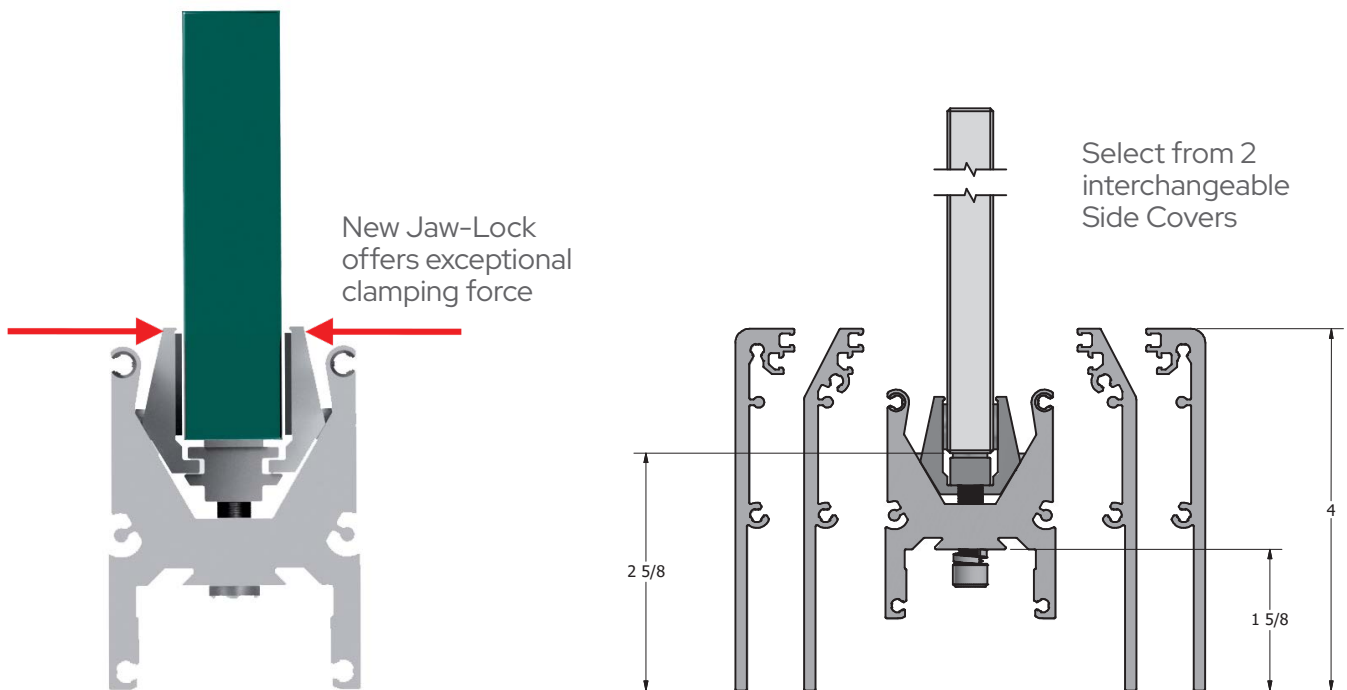
Benefits to the Architect & Designer

- Side Covers can be slid on after construction to protect the finish
- Two Side Covers available, including 4" tapered to meet ADA requirements
- DRX Modular Door Rail System uses less material than a standard door rail and qualifies for LEED credit
- In retrofit cases, Side Covers and End Caps can be easily replaced with a different finish
- Offered in eight standard finishes



Testing and Performance

The CRL DRX™ Modular Door Rail System utilizes a proprietary Jaw-Lock mechanism that delivers superior glass clamping strength, able to withstand a pull force test of up to 1300 pounds. The DRX System has been rigorously tested to 500,000 cycles to ensure lasting durability. Side Covers are also $\frac{3}{16}$ " thick to effectively resist denting from impact despite a hollow door rail mid-section.



Additional Specs

- 2-5/8" glass deduction from bottom of glass to bottom of Side Cover
- Durable aluminum 6061-T6 construction
- Compact Rail Bodies are 10-1/2" long for easy handling
- Tested to 500,000 cycles on 4' x 10' door with 3/4" glass
- Rail Bodies can be used as patch fittings, split End Caps available
- Compatible with door closers, floor locks, and Blumcraft® panic handles
- Side Covers are stocked in 110" lengths and cut to size
- End Caps feature removable glass protector to guard against chipping
- For 3/8" to 3/4" monolithic and laminated tempered glass

Finishes: Satin Anodized, Black Bronze Anodized, Black Semi-Gloss, Matte Black, Brushed & Polished Stainless Steel Cladding, Brushed & Polished Brass