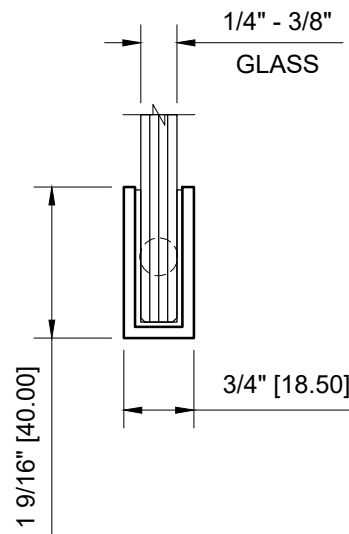
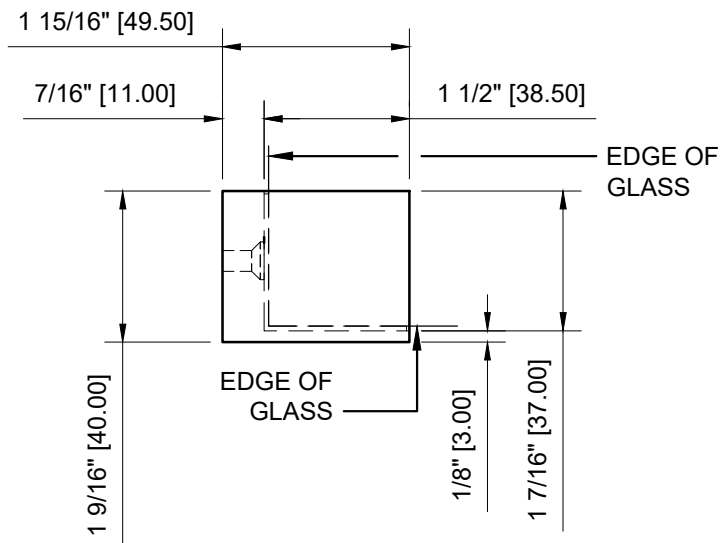
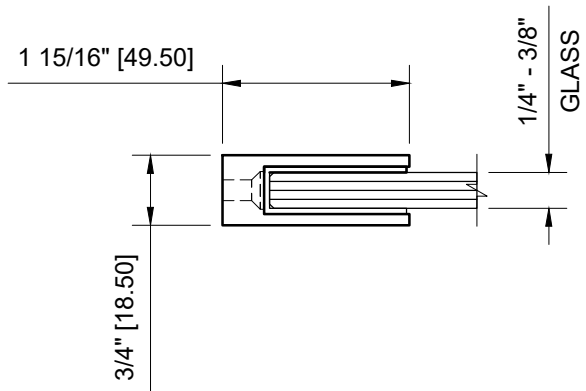


USE OF GASKETS
FOR 1/4" (6mm) GLASS: USE CRL CAT.# 820 TUFF-PAK TAPE
FOR 3/8" (10mm) GLASS: GASKET SUPPLIED



EH19XX - CRL FIXED PLATE CORNER GLASS CLAMP

DATE: 2-13-2020
SCALE: 6"=1'-0"
DRAWN BY: VM

DESCRIPTION: CRL - EH19__ FIXED PANEL U-CLAMP
FIXED PLATE CORNER GLASS CLAMP

C.R.LAURENCE CO. ARCHITECTURAL PRODUCTS
2503 E. Vernon Avenue, Los Angeles, CA 90058-1897
PH (800)-421-6144 FX: 800-587-7501 www.crlaurence.com

