

# CRL ALUMINUM DOOR MOUNTED STANDARD PULL HANDLES

## CRL PULL HANDLE WITH PUSH PLATE



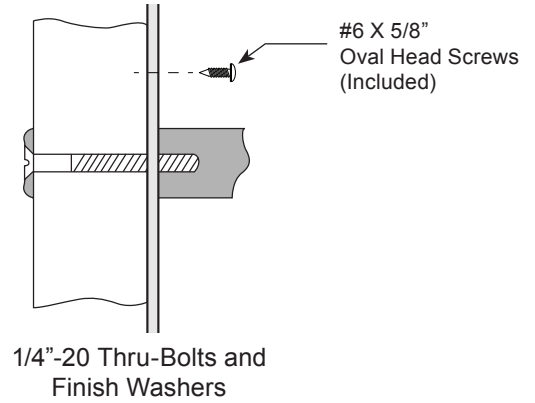
CAT. NO.

67N

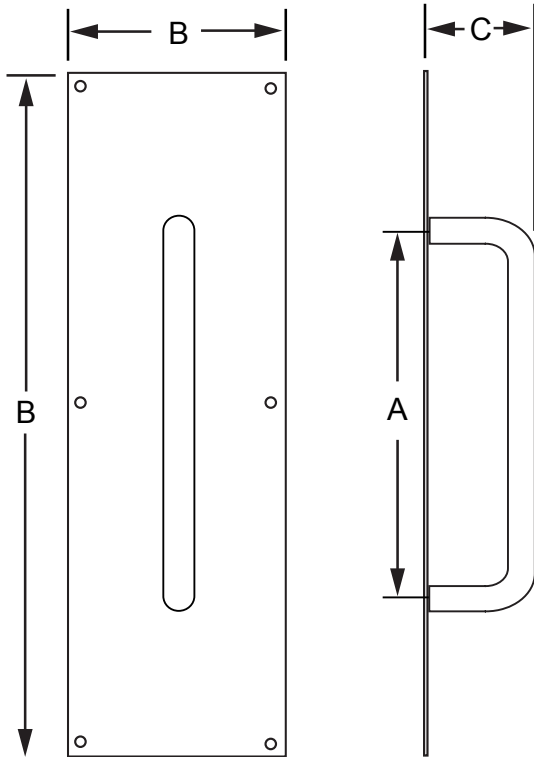
67PB

67SS

### INCLUDED MOUNTING HARDWARE



## MOUNTING TEMPLATE



FINISH
67N = SATIN ALUMINUM
67PB = POLISHED BRASS
67SS = BRUSHED STAINLESS

**NOTE:** Please select appropriate Cat. No. for color and finish.

A	B	C
6" (152 mm)	3-1/2" x 15" (89 x 381 mm) Plate	2-1/2" (64 mm)

Mounting Options	Wood/Aluminum up to 1-3/4" (45 mm)
Mounting Hardware	Included

**NOTE:** Optional hardware kits must be purchased separately.

