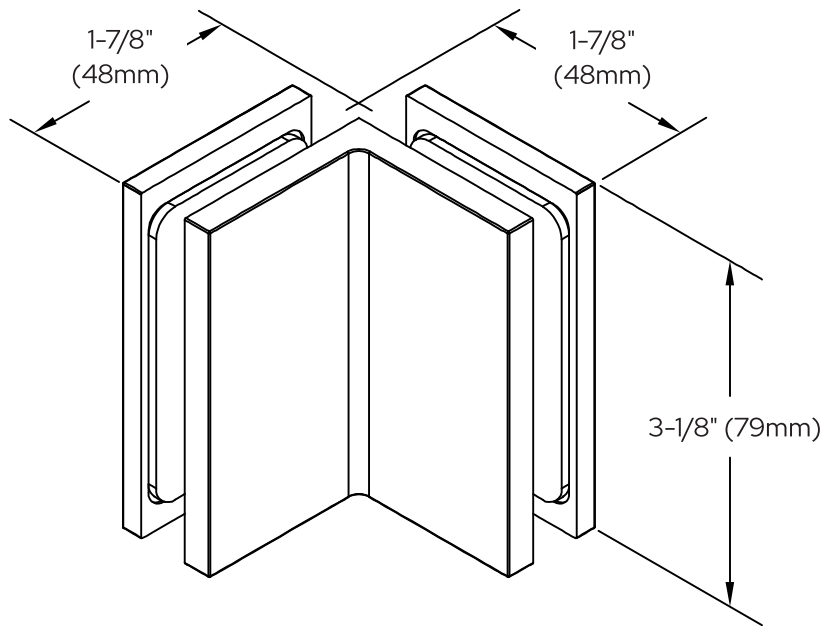




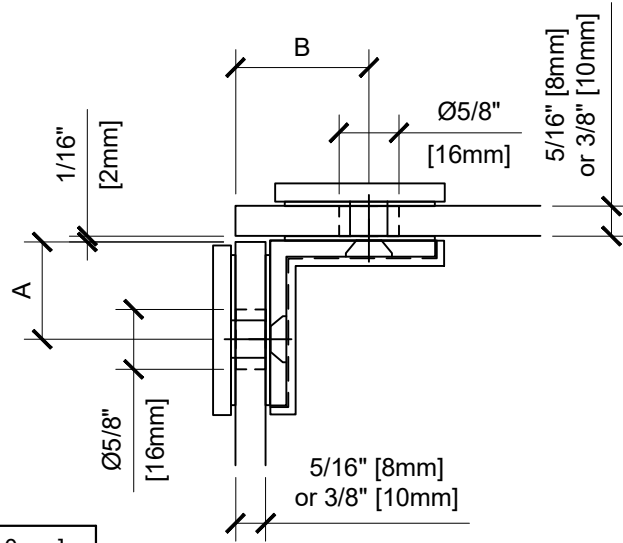
*** SEE TEMPLATE ON BACK ***
Refer to Dimensions Shown
to Ensure Accuracy



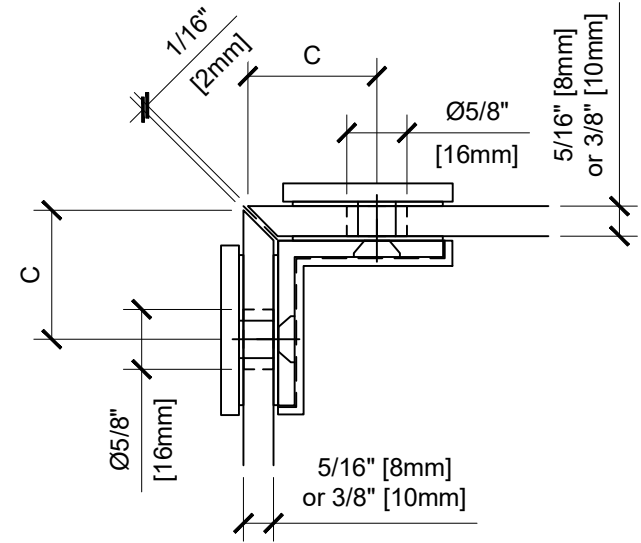
Specifications:

Material:	Solid brass
Glass Thickness Range:	5/16" (8mm) to 3/8" (10mm)
Hole Size Required:	5/8" (16mm)
Includes:	Mounting, screws and gaskets

COMO
90° Glass-to-Glass Bracket
CAT. NO. COM090

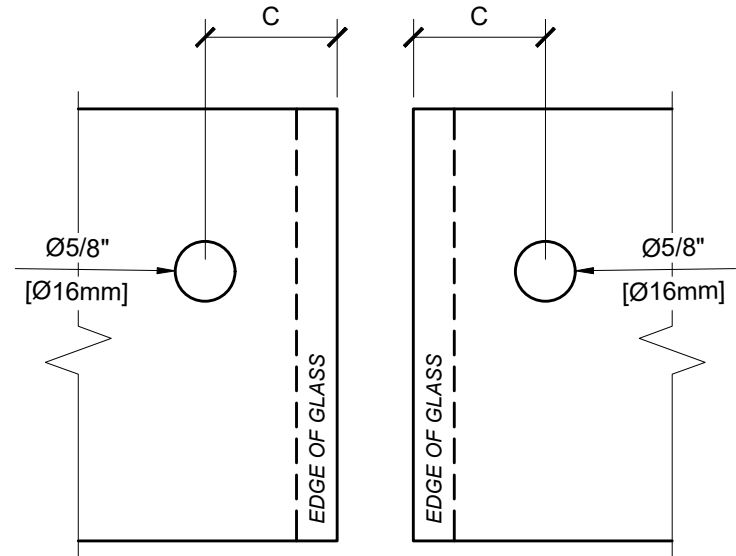
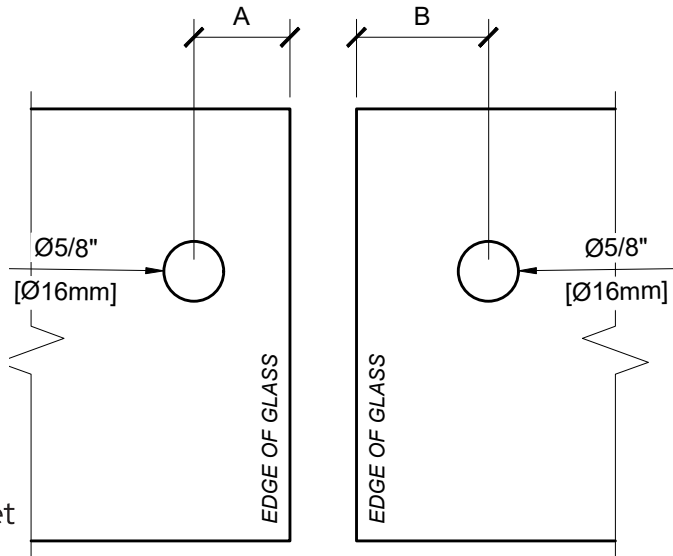


OVERLAP GLASS CUTOUT



MITER GLASS CUTOUT

GLASS	5/16" [8mm]	3/8" [10mm]
A	1 1/16" [27mm]	1 1/16" [27mm]
B	1 7/16" [36mm]	1 1/2" [38mm]
C	1 3/8" [35mm]	1 7/16" [37mm]



COMO
90° Glass-to-Glass Bracket
CAT. NO. COM090