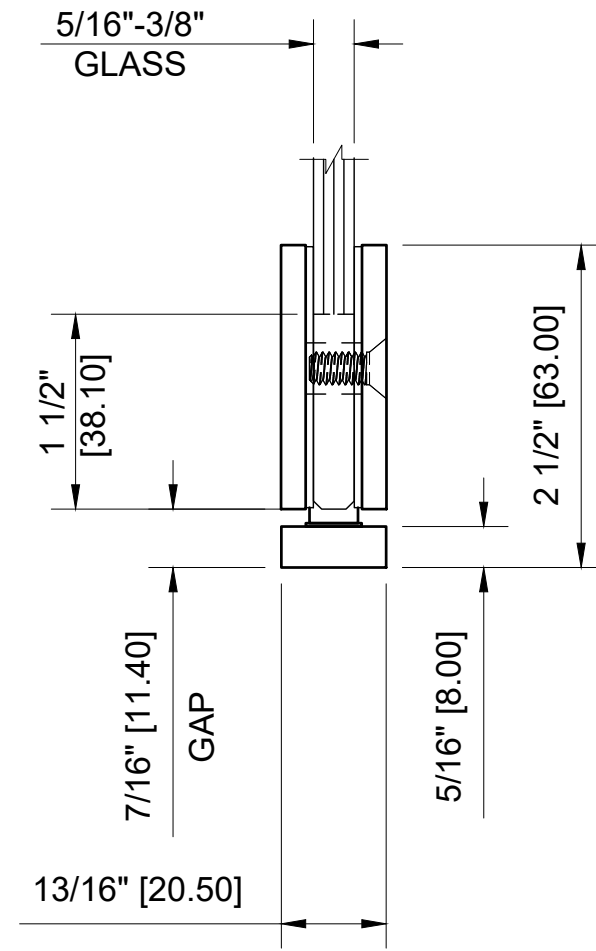
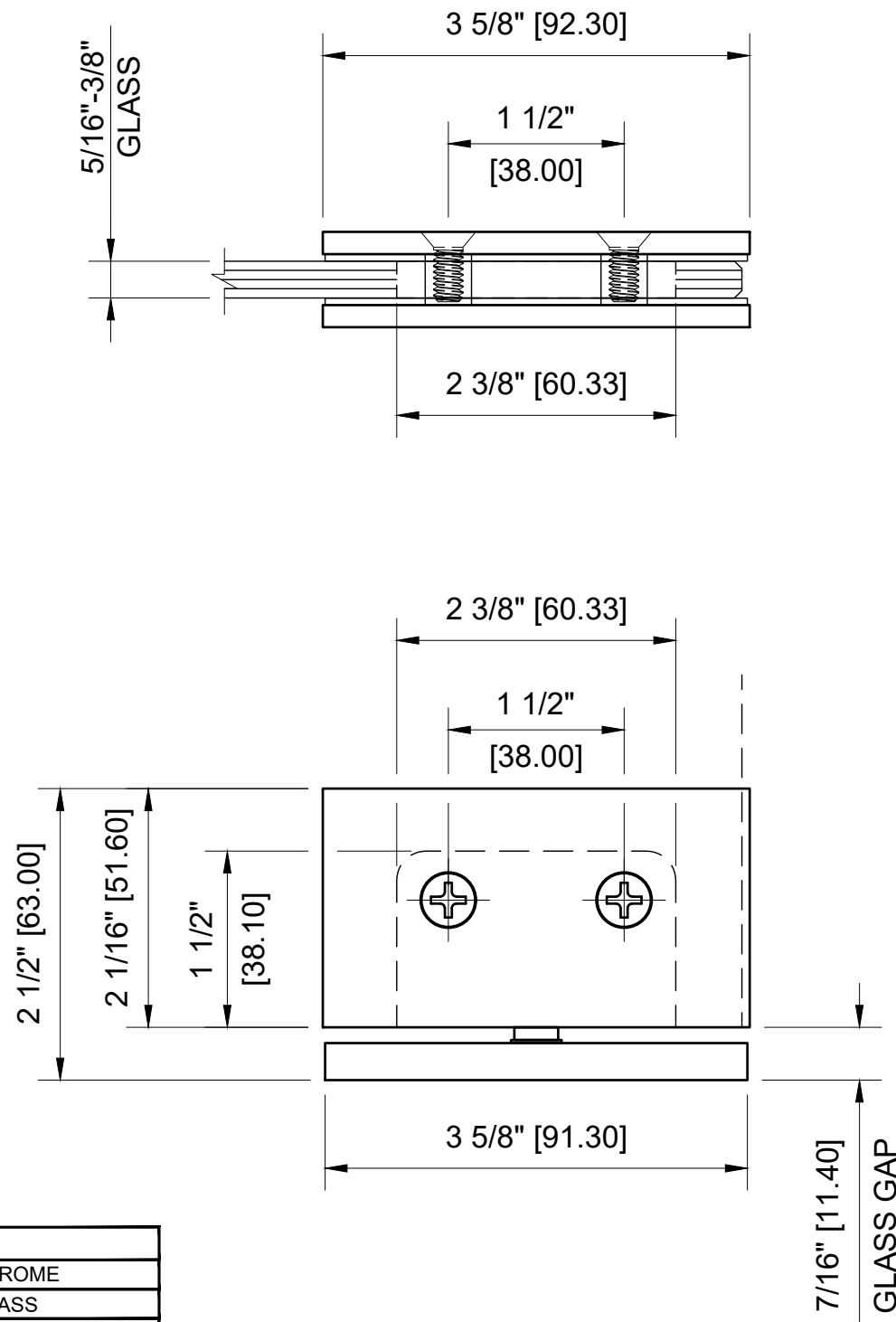


USE OF GASKETS

FOR 5/16" (8mm) GLASS: USE ONE THICK GASKET AND ONE THIN GASKET ON EACH SIDE
 FOR 3/8" (10mm) GLASS: USE ONE THICK GASKET ON EACH SIDE



CATALOG NUMBER	FINISH
CAR01CH	POLISHED CHROME
CAR01BR	POLISHED BRASS
CAR010RB	OIL RUBBED BRONZE
CAR01ABR	ANTIQUÉ BRASS
CAR01BBRZ	BRUSHED BRONZE
CAR01BN	BRUSHED NICKEL
CAR01MBL	MATTE BLACK
CAR01PN	POLISHED NICKEL
CAR01SC	SATIN CHROME
CAR01SN	SATIN NICKEL

CAR01XX - CRL CARDIFF SERIES TOP OR BOTTOM MOUNT HINGE

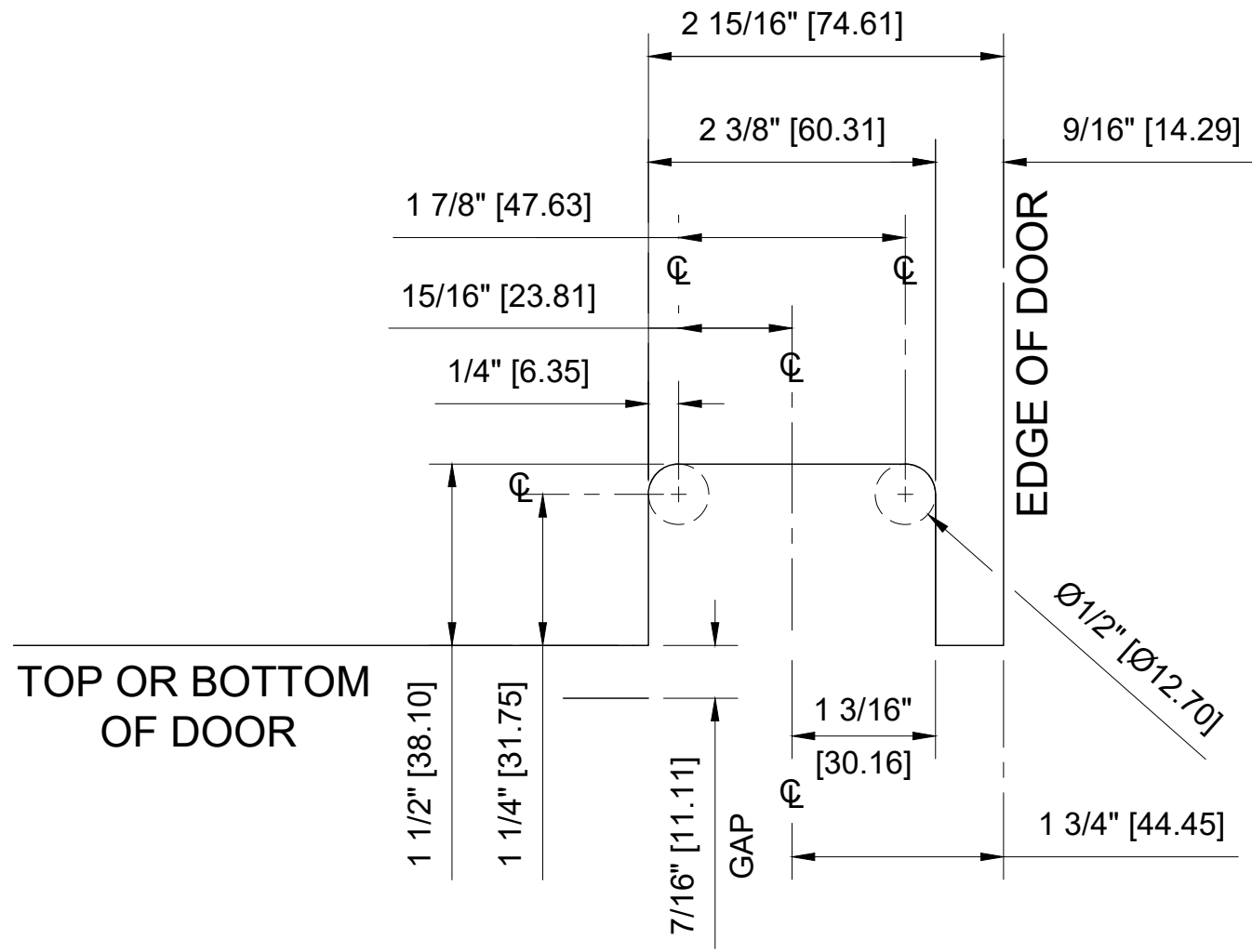
DATE: 10-2-2019
 SCALE: 6"=1'-0"
 DRAWN BY: VM

DESCRIPTION: CRL CARDIFF SERIES HINGE
 CTS
 www.crlaurence.com
 CAR01 - TOP OR BOTTOM MOUNT HINGES

C.R. LAURENCE CO. ARCHITECTURAL PRODUCTS
 2503 E. Vernon Avenue, Los Angeles, C.A 90058-1897
 PH (800)-421-6144 FX: 800-587-7501 www.crlaurence.com



USE OF GASKETS
 FOR 5/16" (8mm) GLASS: USE ONE THICK GASKET AND ONE THIN GASKET ON EACH SIDE
 FOR 3/8" (10mm) GLASS: USE ONE THICK GASKET ON EACH SIDE



EDGE MOUNT PREFERRED METHOD
 7/16" (11mm) CLEARANCE
 GLASS FABRICATION TEMPLATE

CATALOG NUMBER	FINISH
CAR01CH	POLISHED CHROME
CAR01BR	POLISHED BRASS
CAR010RB	OIL RUBBED BRONZE
CAR01ABR	ANTIQUÉ BRASS
CAR01BBRZ	BRUSHED BRONZE
CAR01BN	BRUSHED NICKEL
CAR01MBL	MATTE BLACK
CAR01PN	POLISHED NICKEL
CAR01SC	SATIN CHROME
CAR01SN	SATIN NICKEL

CAR01XX - CRL CARDIFF SERIES TOP OR BOTTOM MOUNT HINGE

DATE: 10-2-2019
 SCALE: 6"=1'-0"
 DRAWN BY: VM

DESCRIPTION: CRL CARDIFF SERIES HINGE
 CTS
 CAR01 - TOP OR BOTTOM MOUNT HINGES
 www.crlaurence.com

C.R. LAURENCE CO. ARCHITECTURAL PRODUCTS
 2503 E. Vernon Avenue, Los Angeles, C.A 90058-1897
 PH (800)-421-6144 FX: 800-587-7501 www.crlaurence.com

