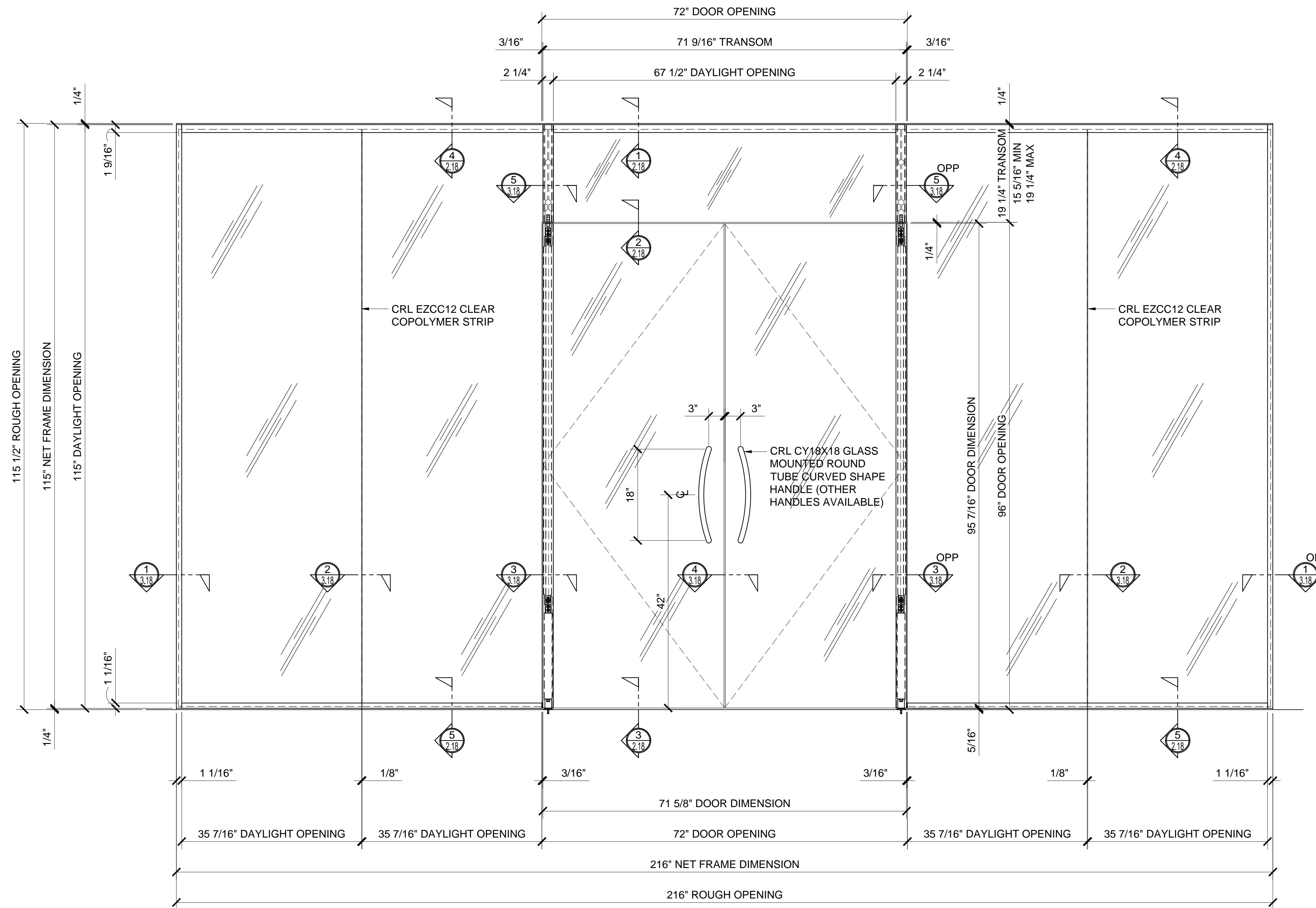


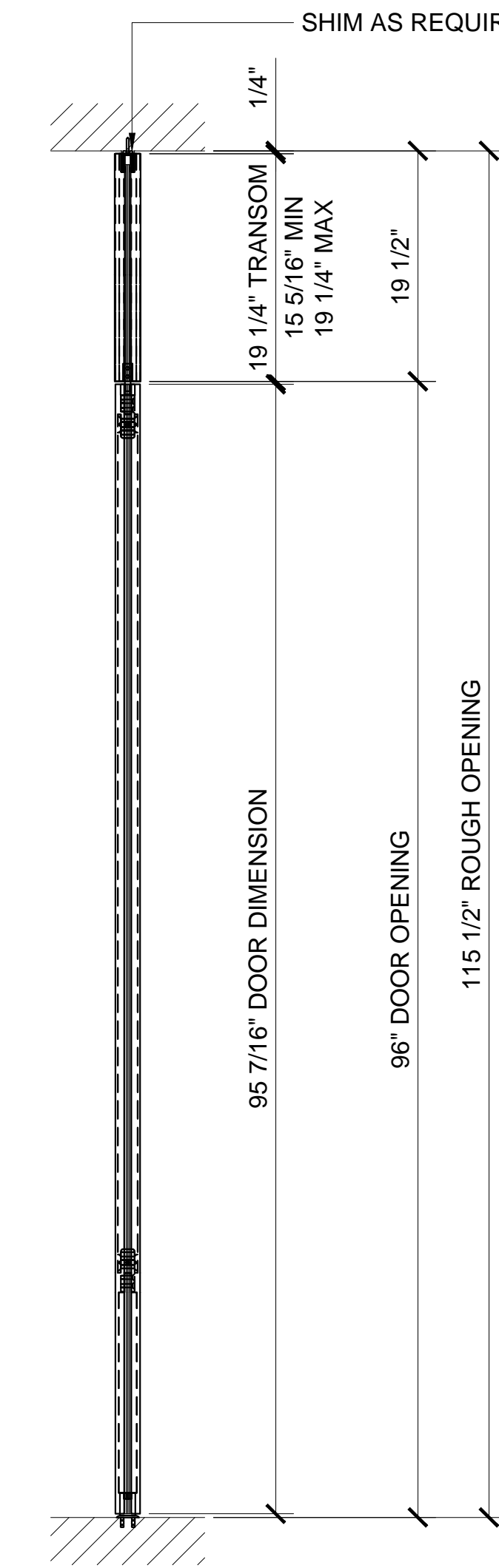
① PLAN

ARCH REF: 1"=1'-0"



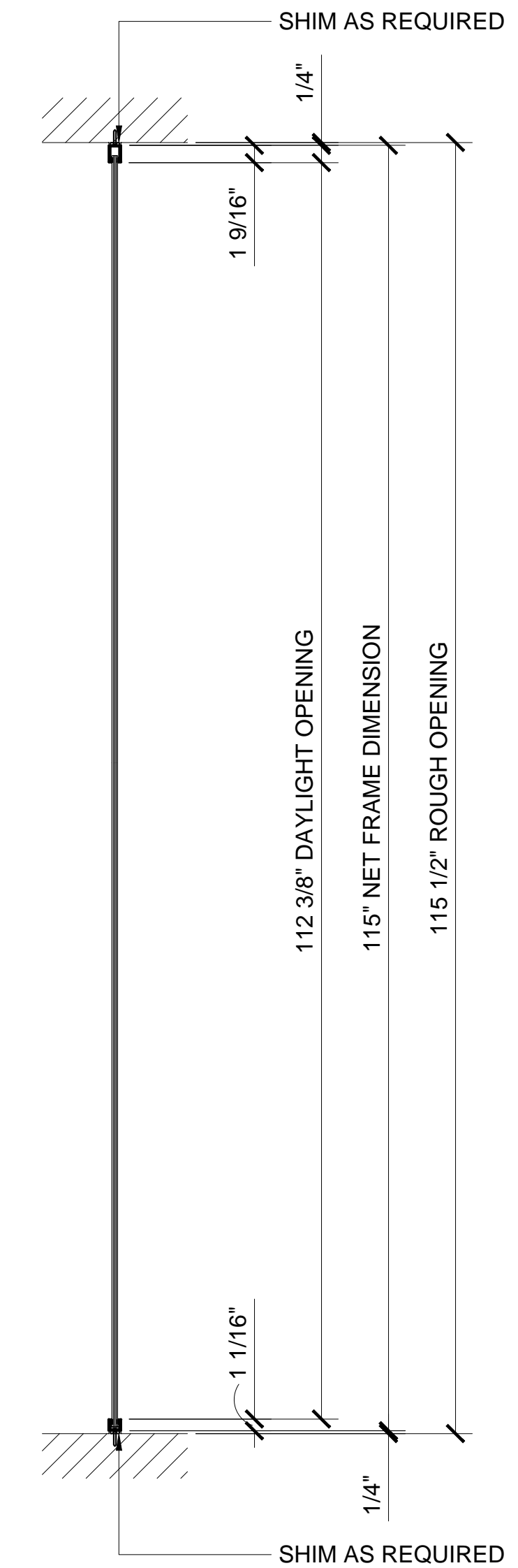
② ELEVATION

ARCH REF: 1"=1'-0"



③ DOOR SECTION

ARCH REF: 1"=1'-0"



④ SIDELITE SECTION

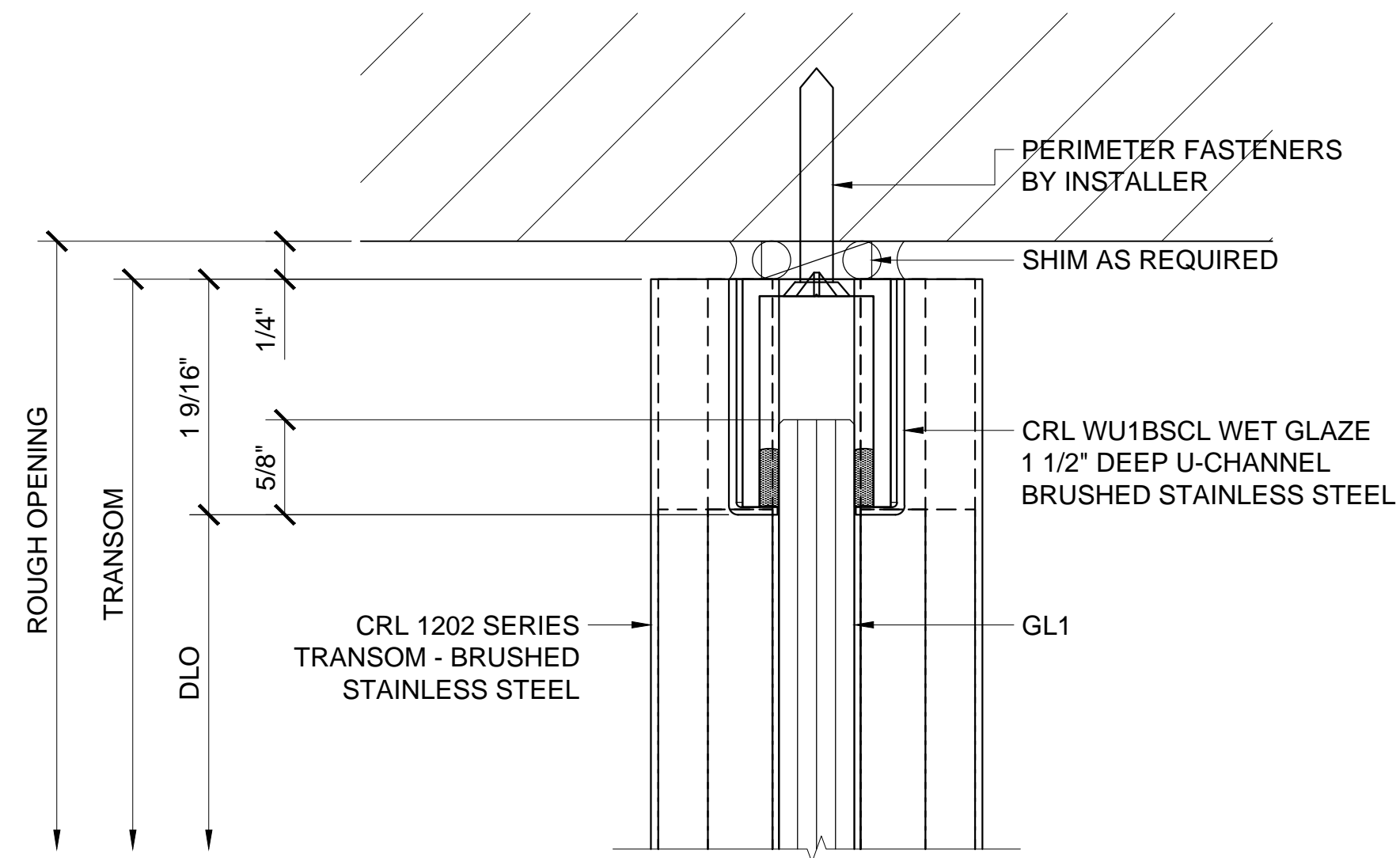
ARCH REF: 1"=1'-0"

Revisions By:

Description:
1202 SERIES SWINGING
DOUBLE GLASS DOORS
W/ TRANSOM & W/ SIDELITES
ON TWO SIDES

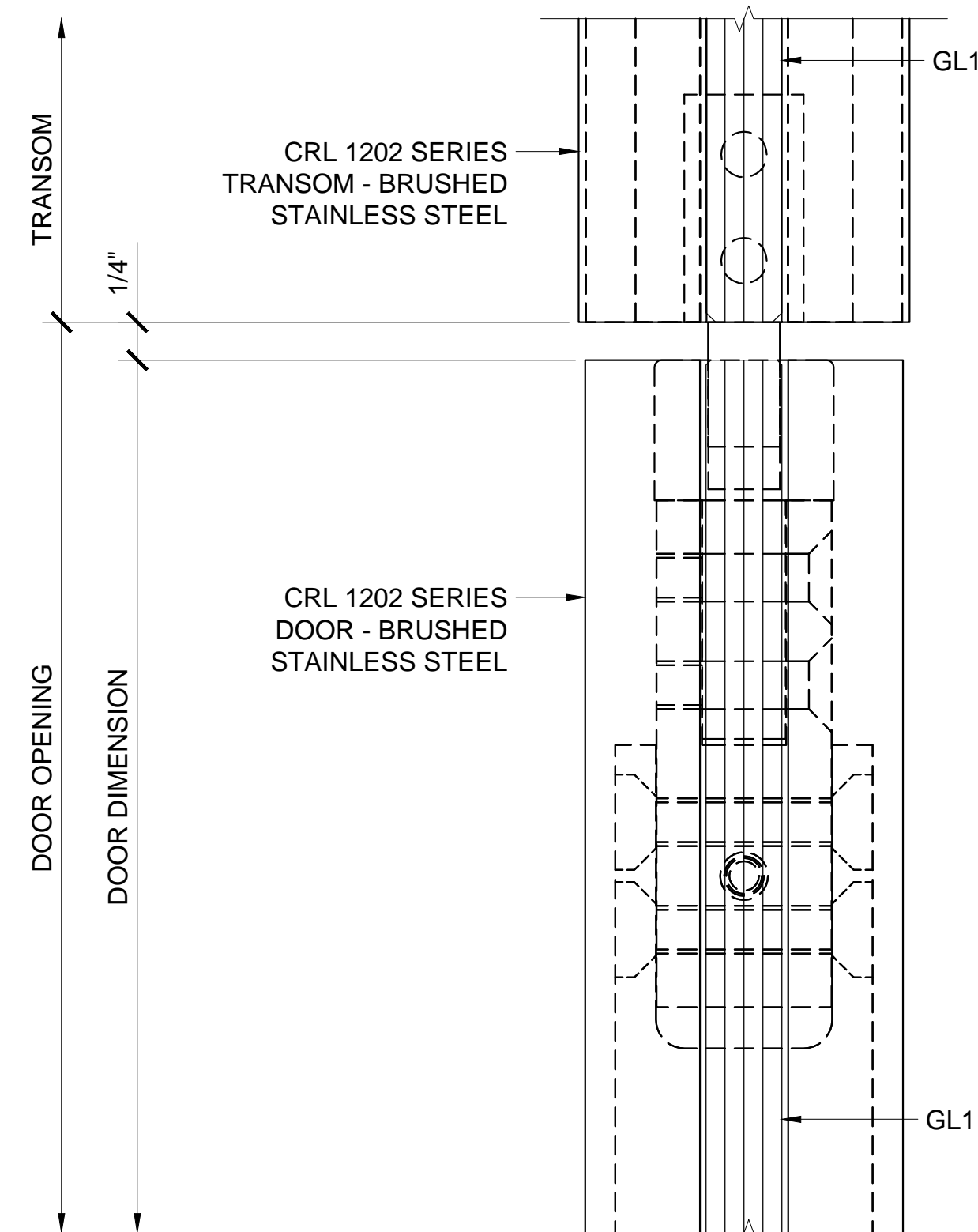
Drawn By: AAD
Date: 10/21/15
Scale: AS NOTED
File Name: 6-1202 Series Swinging
Double Glass Doors - W Transom &
W Sidelites.dwg

Sheet



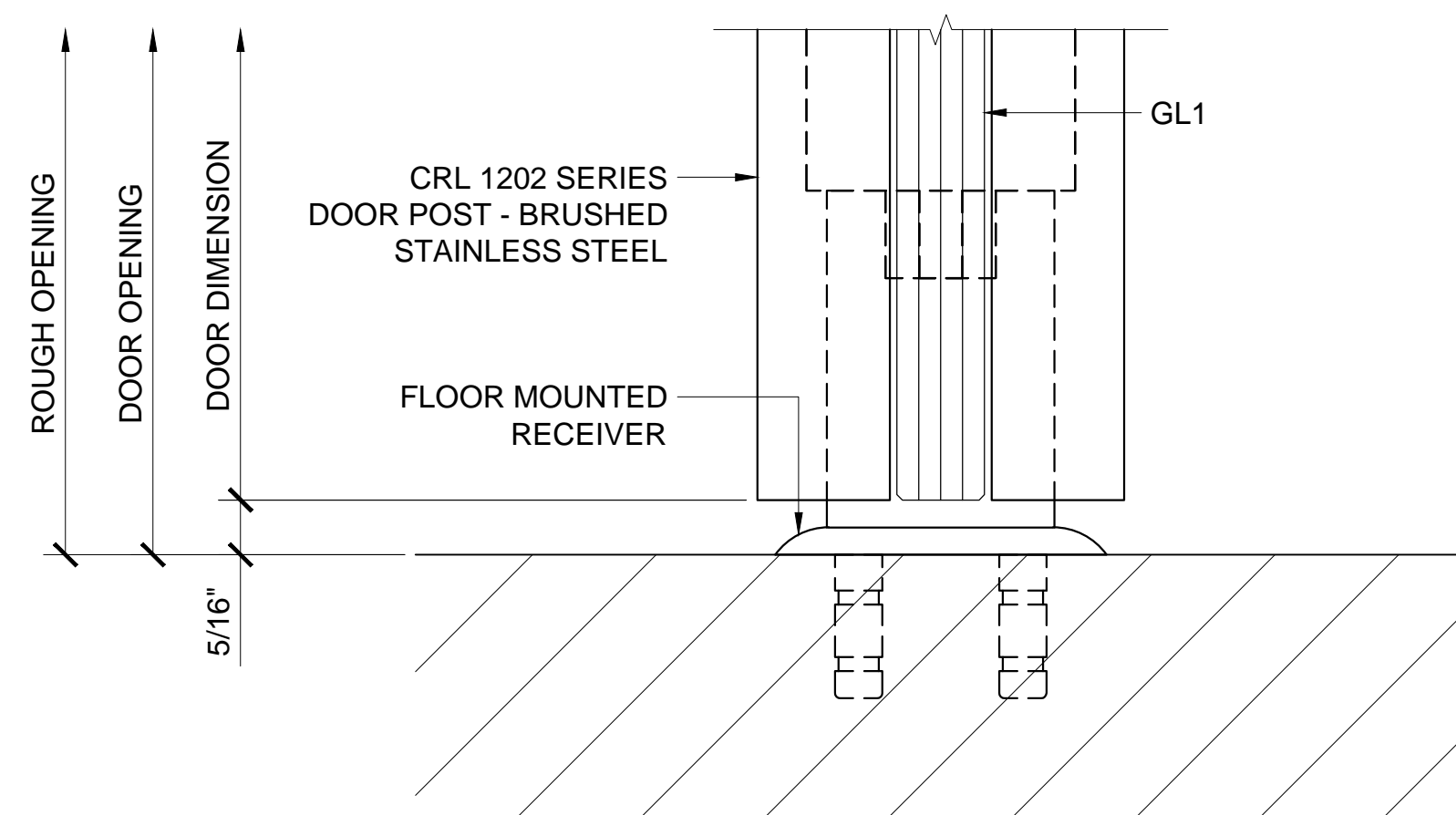
1 TRANSOM HEAD DETAIL

ARCH REF: 1'-0"=1'-0"



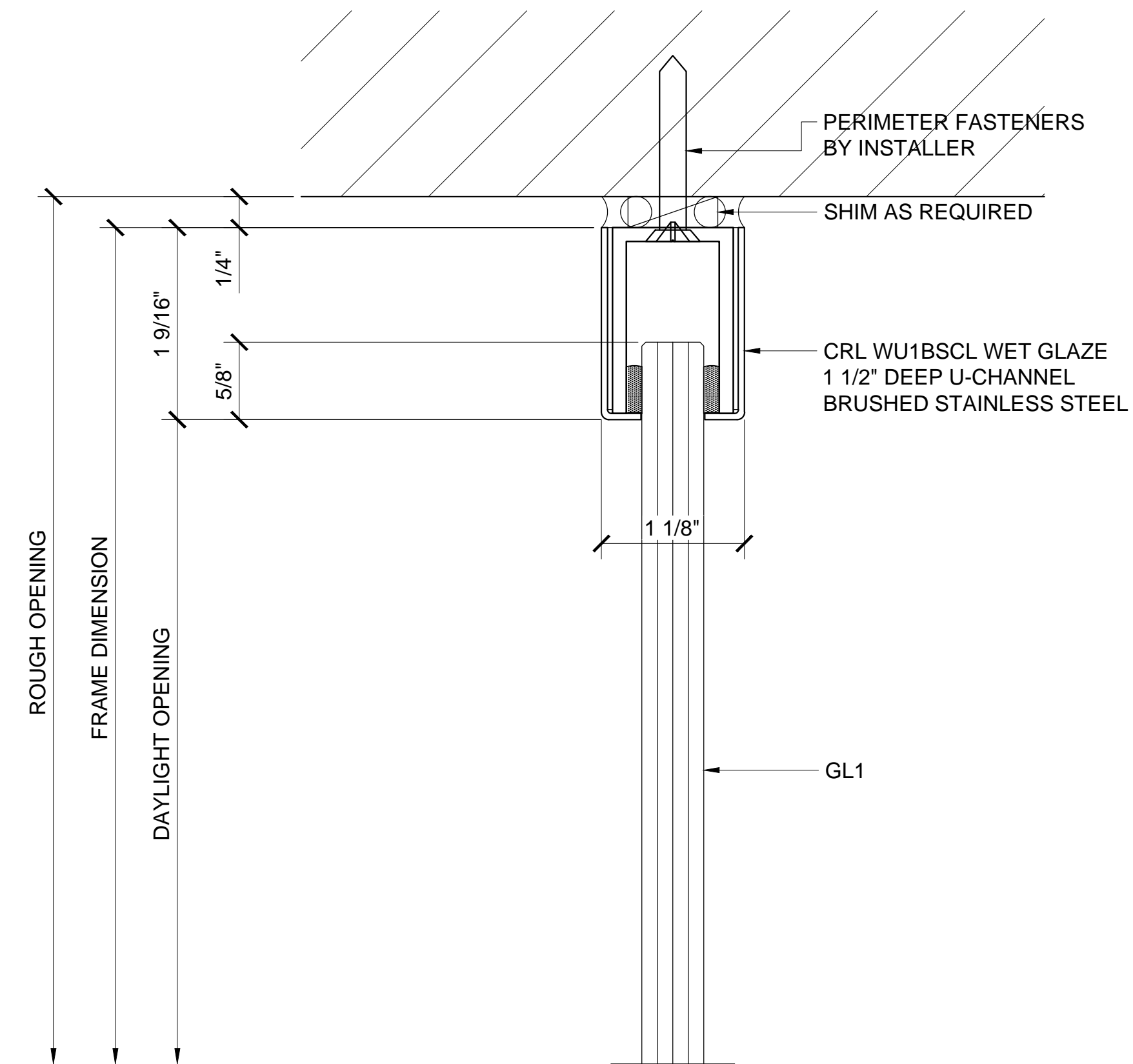
2 DOOR HEAD AT TRANSOM DETAIL

ARCH REF: 1'-0"=1'-0"



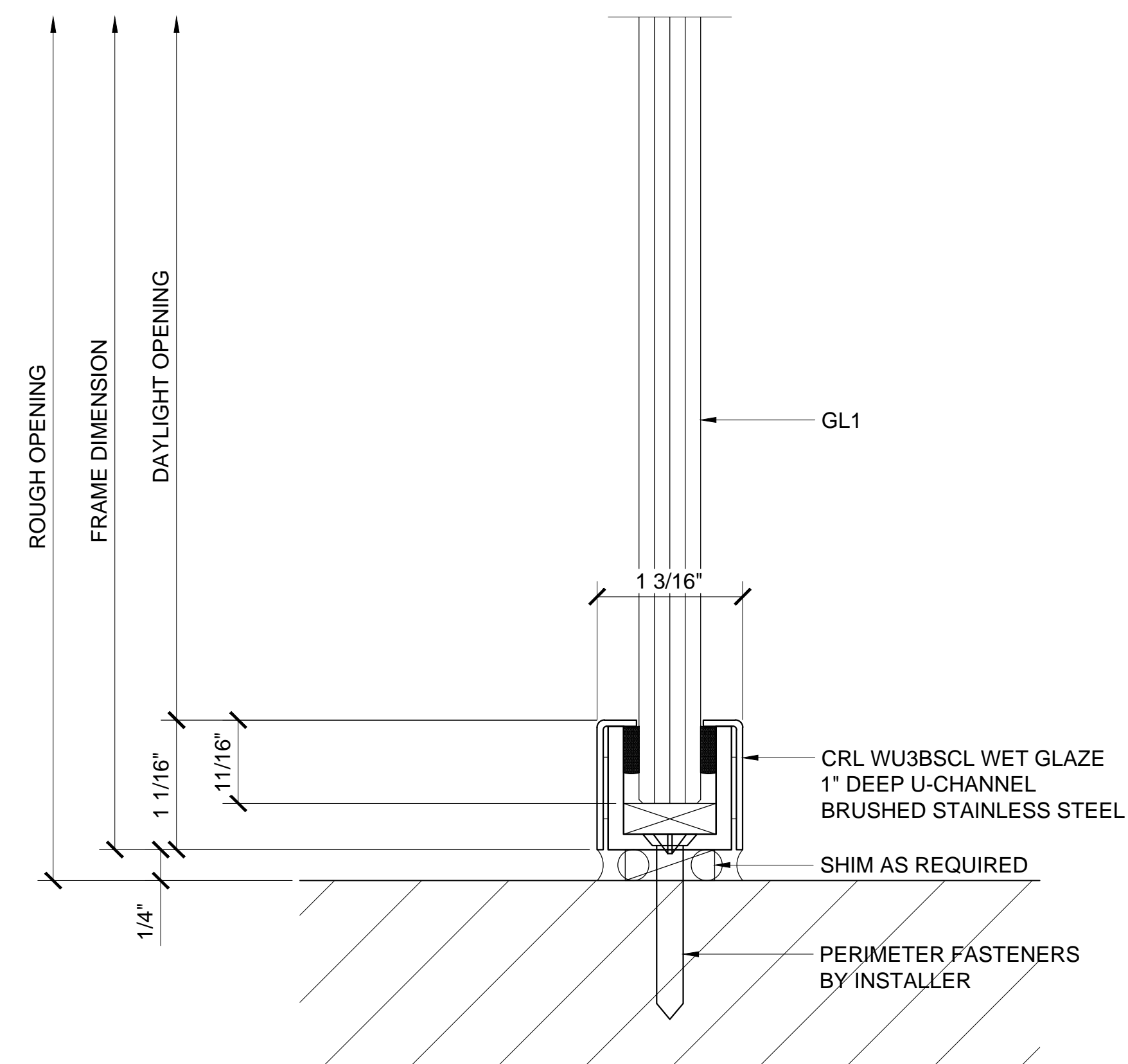
3 DOOR SILL DETAIL

ARCH REF: 1'-0"=1'-0"



4 SIDELITE HEAD DETAIL

ARCH REF: 1'-0"=1'-0"



5 SIDELITE SILL DETAIL

ARCH REF: 1'-0"=1'-0"

Revisions By:

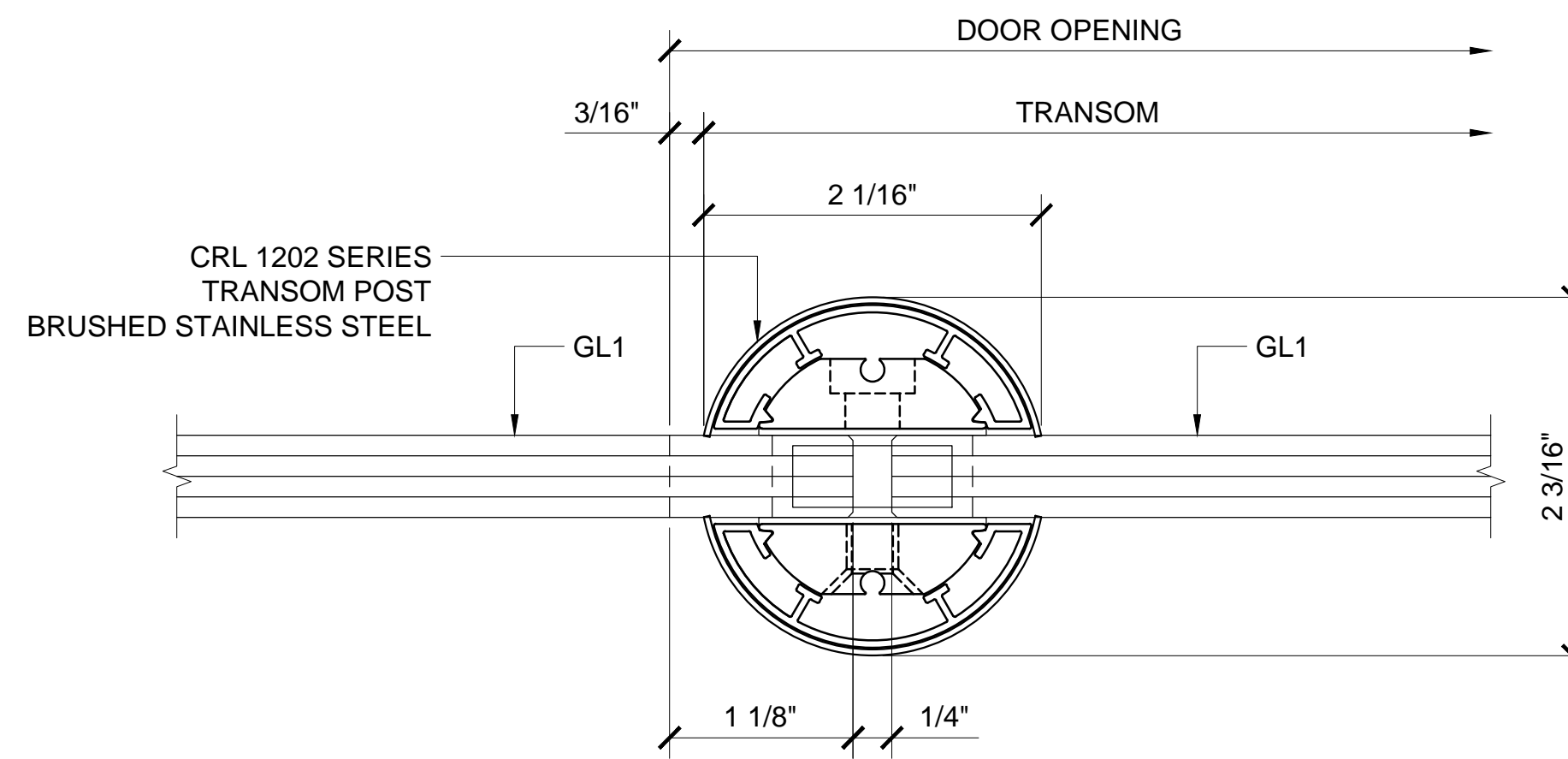


Description:
1202 SERIES SWINGING
DOUBLE GLASS DOORS
W/ TRANSOM & W/ SIDELITES
ON TWO SIDES

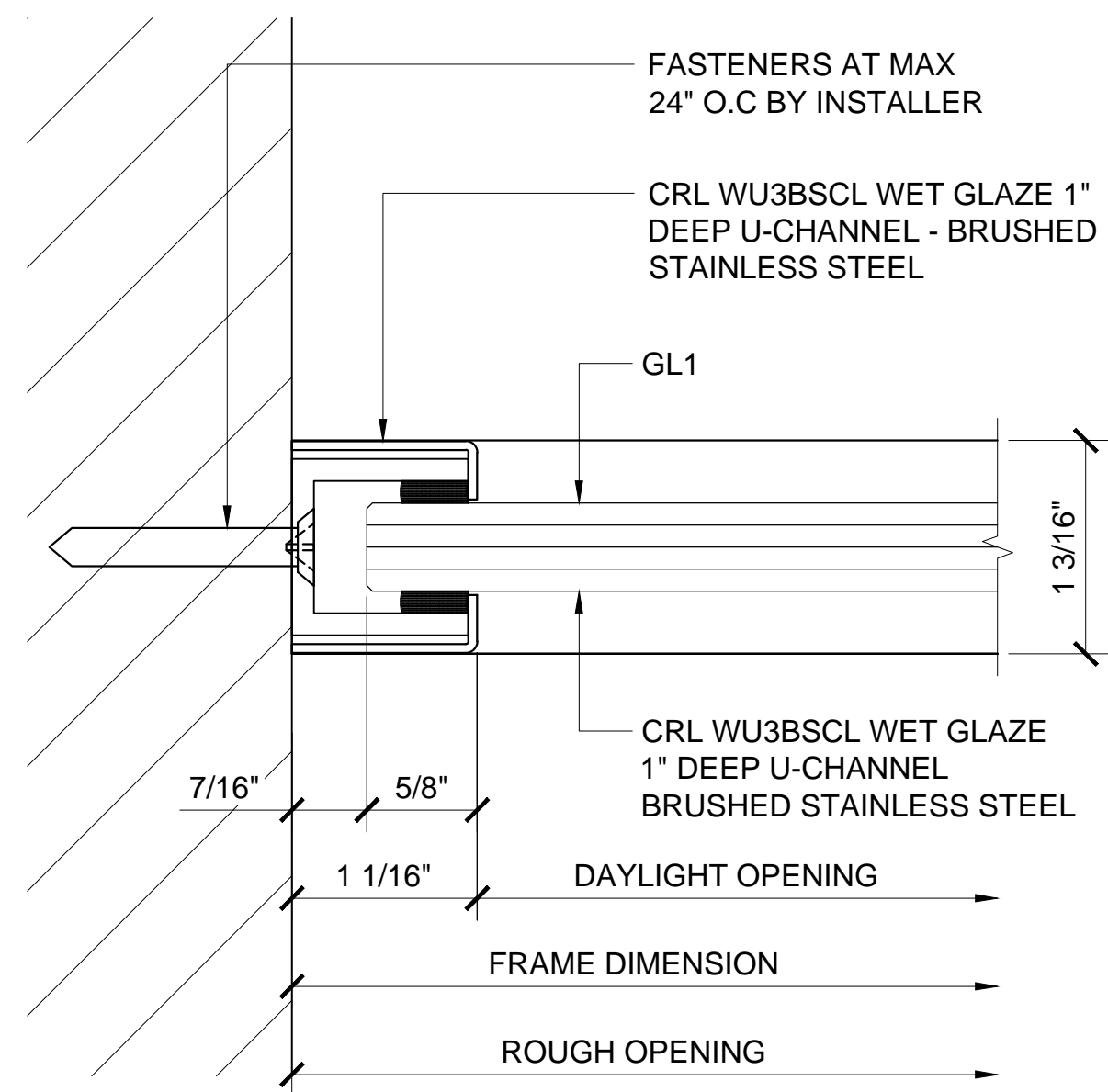
Drawn By: AAD
Date: 10/21/15
Scale: AS NOTED
File Name: 4-1202 Series Swinging
Double Glass Doors - W Transom &
W Sidelites.dwg

Sheet

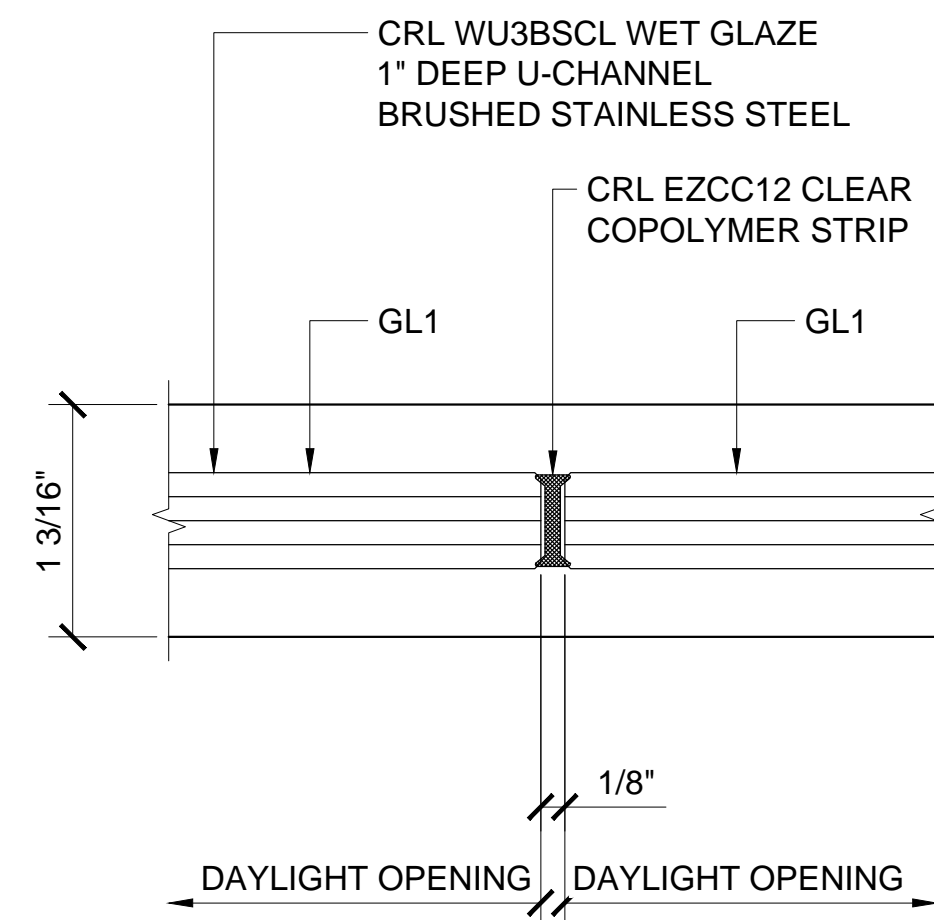
Revisions By:



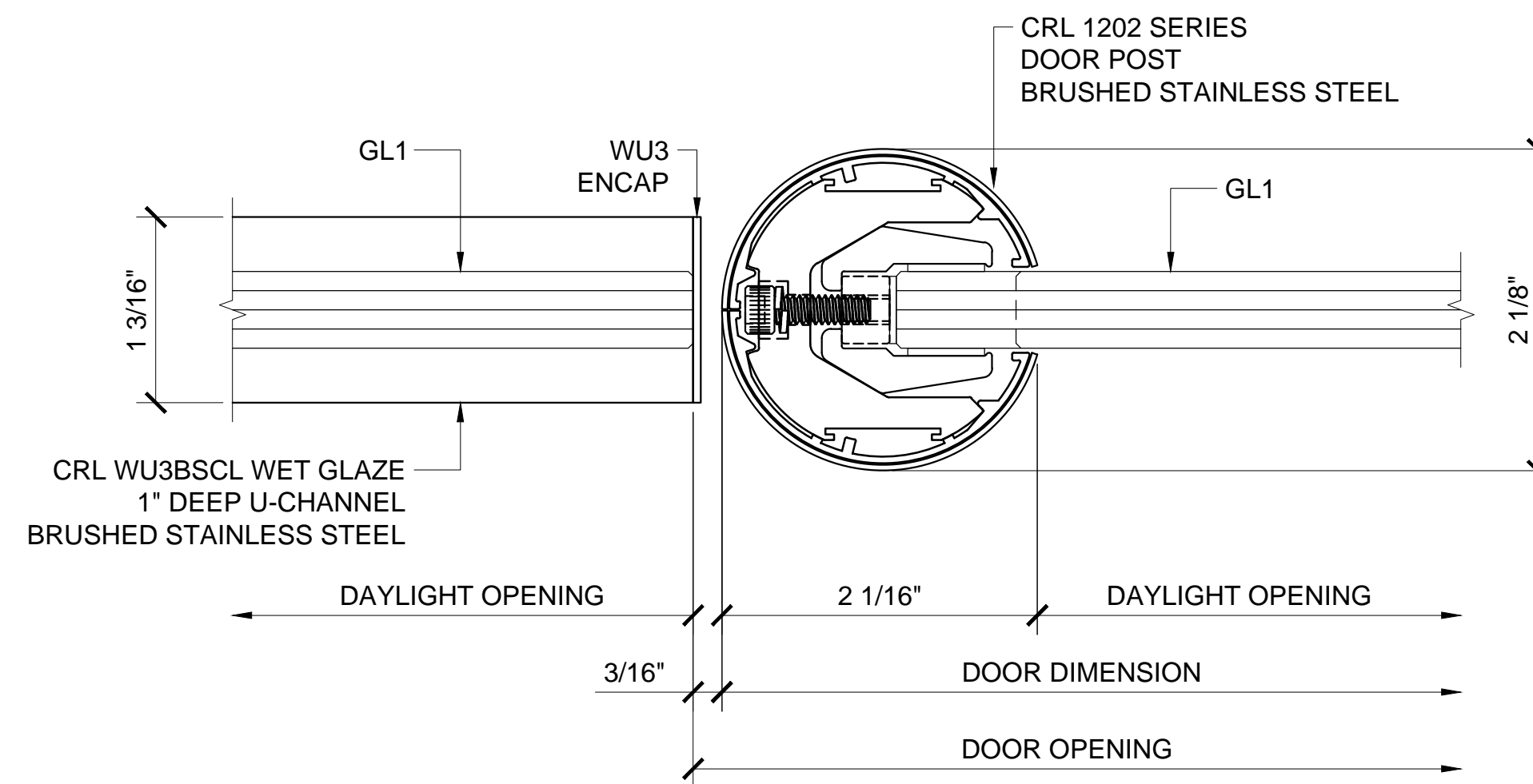
5 TRANSOM POST SECTION DETAIL
 ARCH REF: 1'-0"=1'-0"



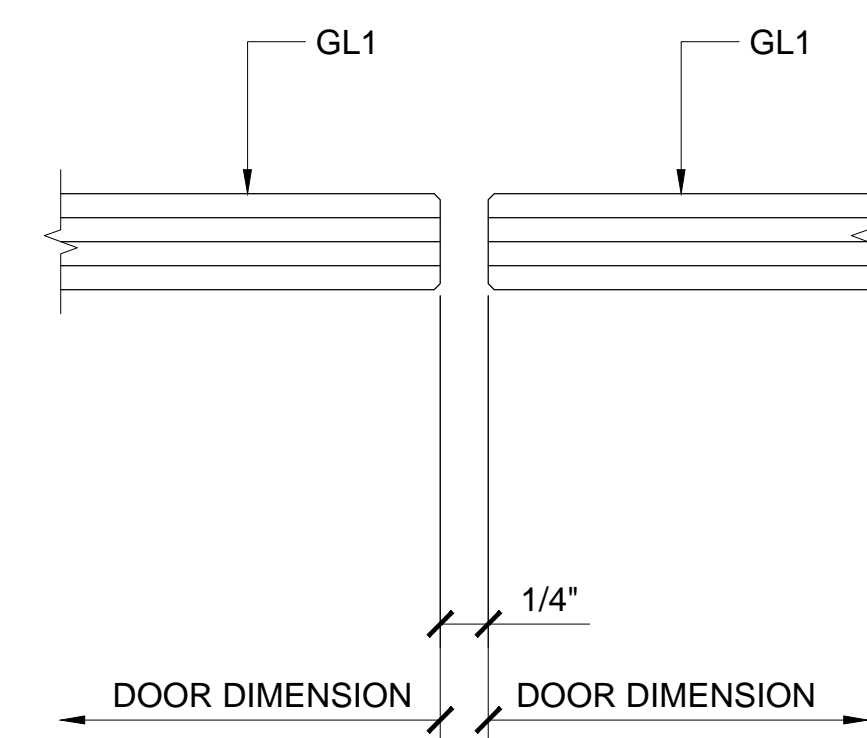
1 WALL JAMB DETAIL
 ARCH REF: 1'-0"=1'-0"



2 GLASS JOINT
 ARCH REF: 1'-0"=1'-0"



3 DOOR PIVOT POST SECTION DETAIL
 ARCH REF: 1'-0"=1'-0"



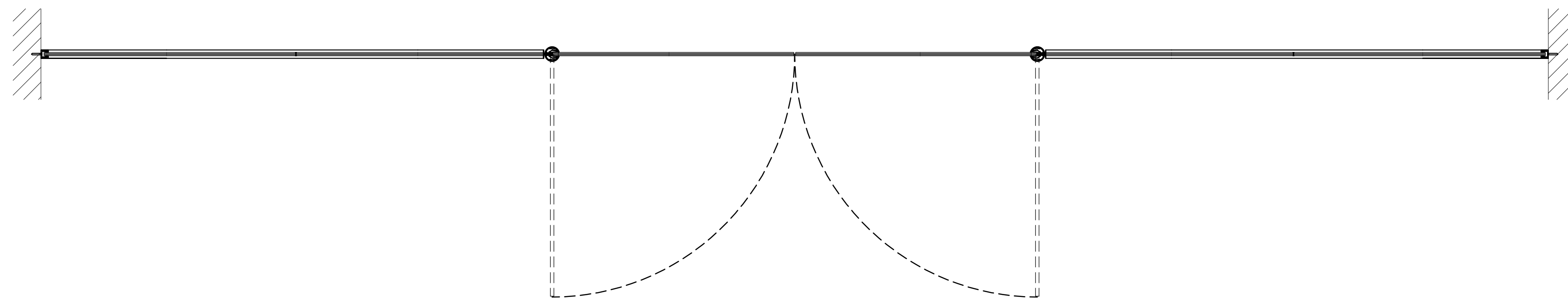
4 MEETING STILES
 ARCH REF: 1'-0"=1'-0"

Description:
 1202 SERIES SWINGING
 DOUBLE GLASS DOORS
 W/ TRANSOM & W/ SIDELITES
 ON TWO SIDES

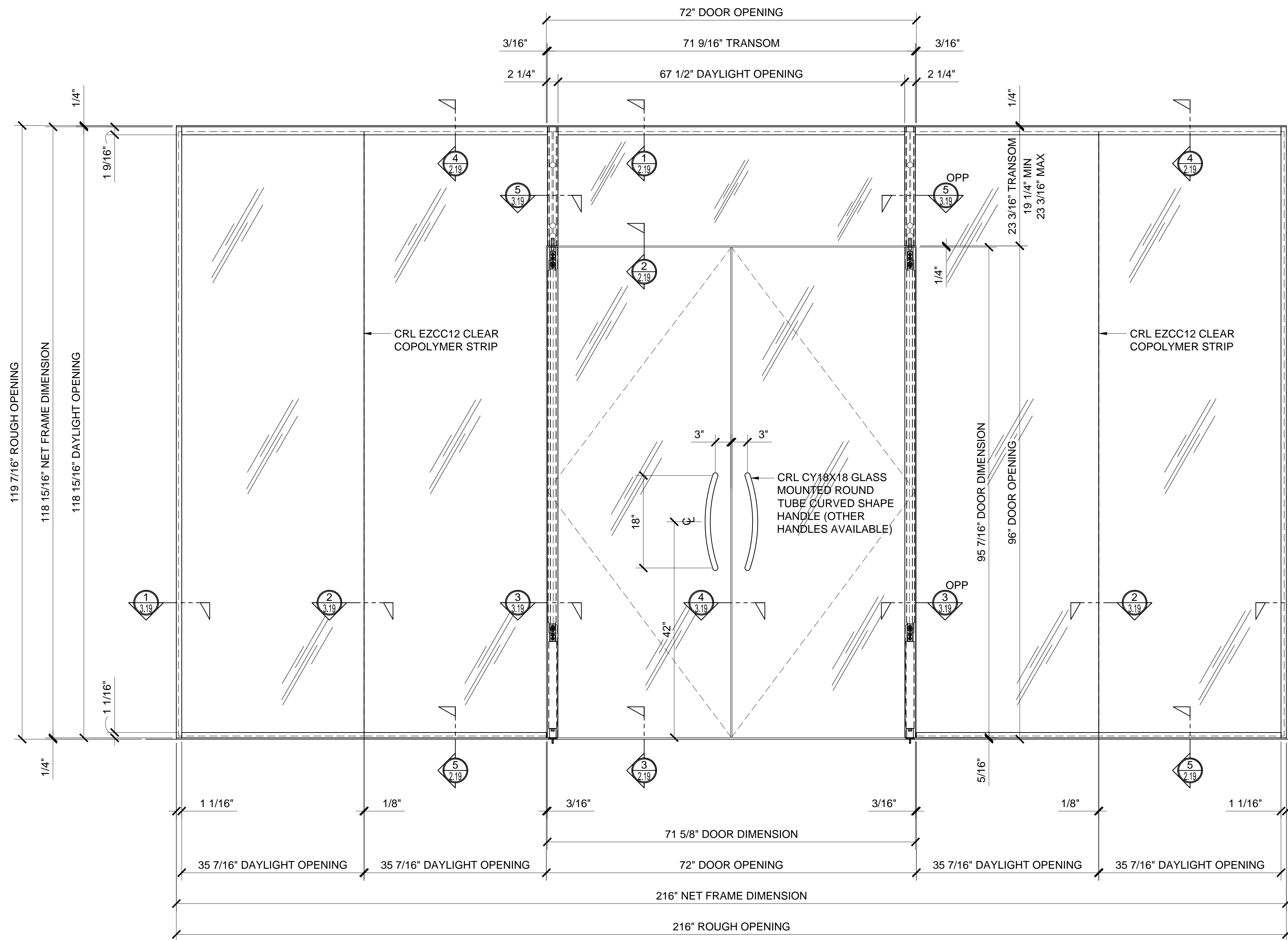
Drawn By: AAD
 Date: 10/21/15
 Scale: AS NOTED
 File Name: 6-1202 Series Swinging
 Double Glass Doors - W Transom &
 W Sidelites.dwg

Sheet

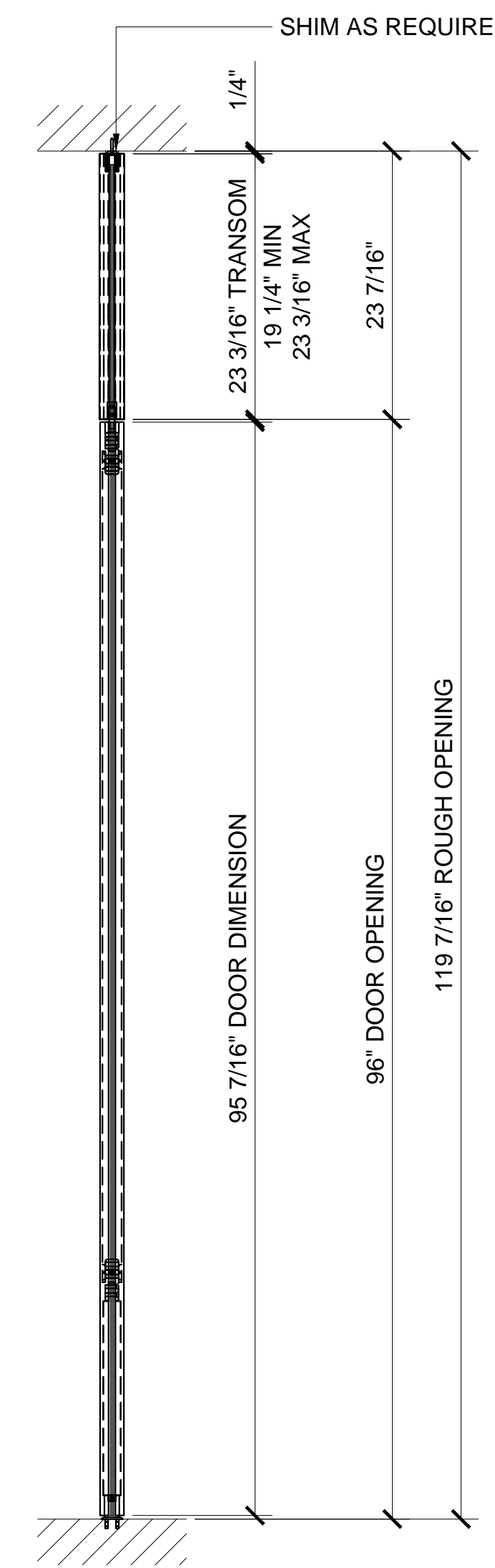
1202 SERIES SWINGING DOUBLE GLASS DOORS - W/ MEDIUM TRANSOM & W/ SIDELITES
 19 1/4" MIN TO 23 3/16" MAX HEIGHT



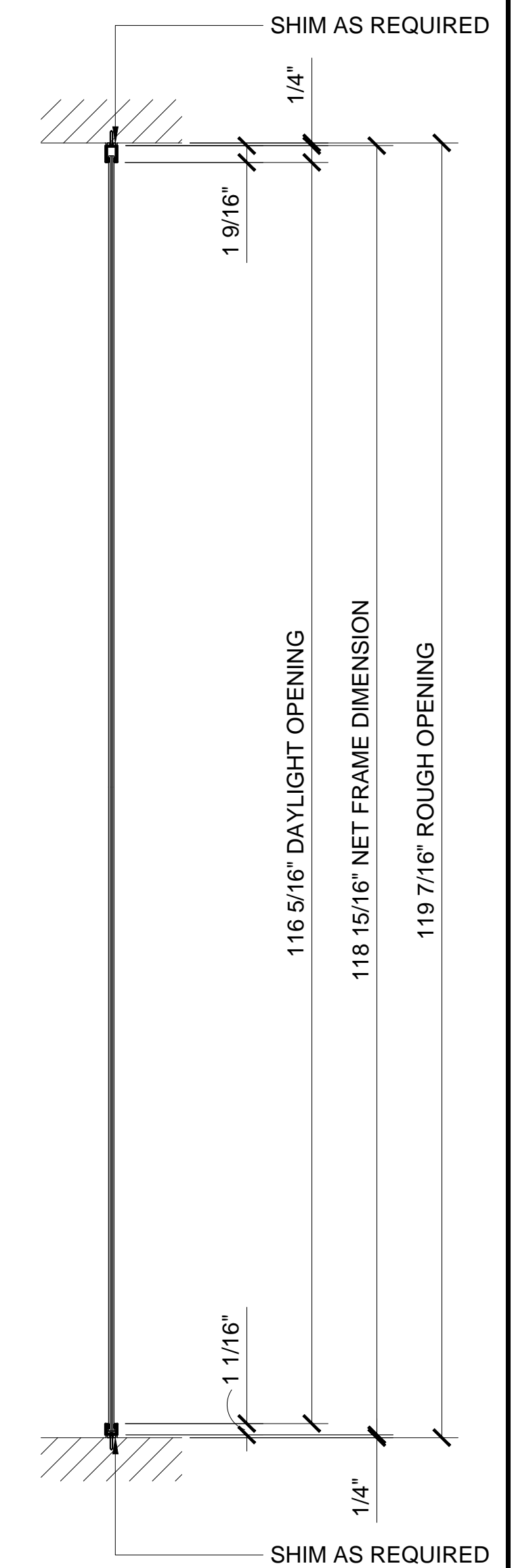
1 PLAN
 ARCH REF: 1"=1'-0"



2 ELEVATION
 ARCH REF: 1"=1'-0"



3 DOOR SECTION
 ARCH REF: 1"=1'-0"



4 SIDELITE SECTION
 ARCH REF: 1"=1'-0"

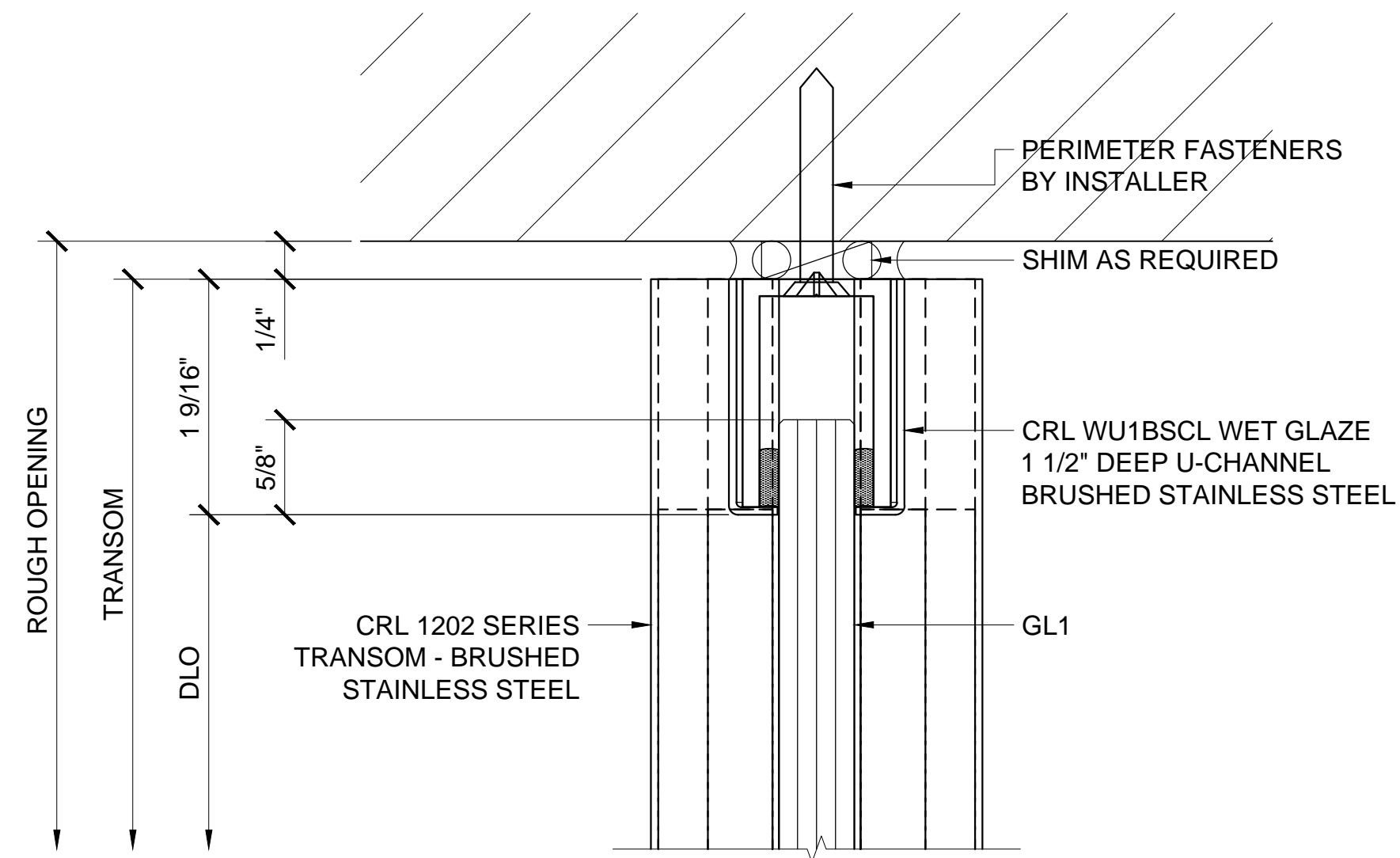
Revisions By:



Description:
 1202 SERIES SWINGING
 DOUBLE GLASS DOORS
 W/ TRANSOM & W/ SIDELITES
 ON TWO SIDES

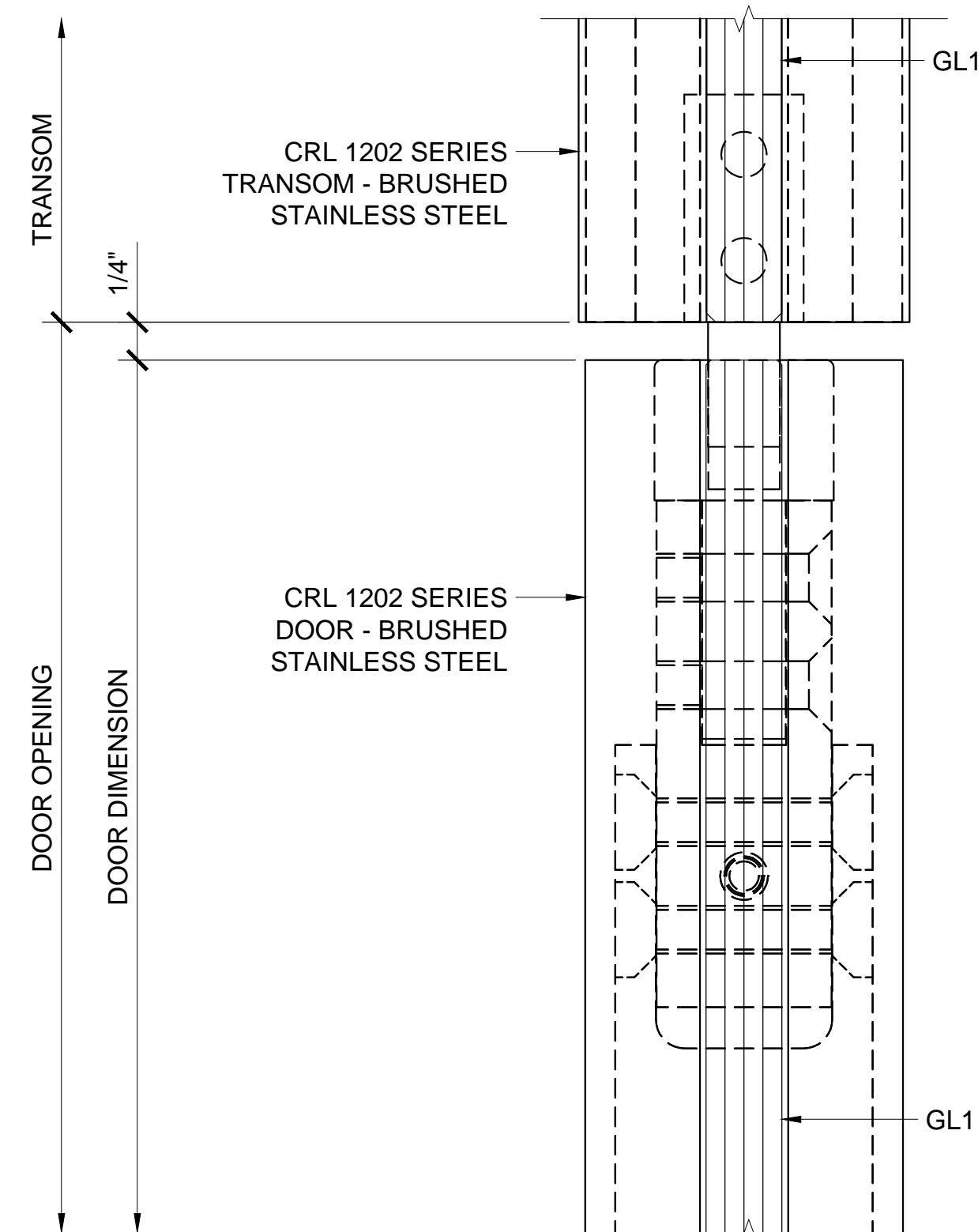
Drawn By: AAD
 Date: 10/21/15
 Scale: AS NOTED
 File Name: 6-1202 Series Swinging
 Double Glass Doors - W Transom &
 W Sidelites.dwg

Sheet



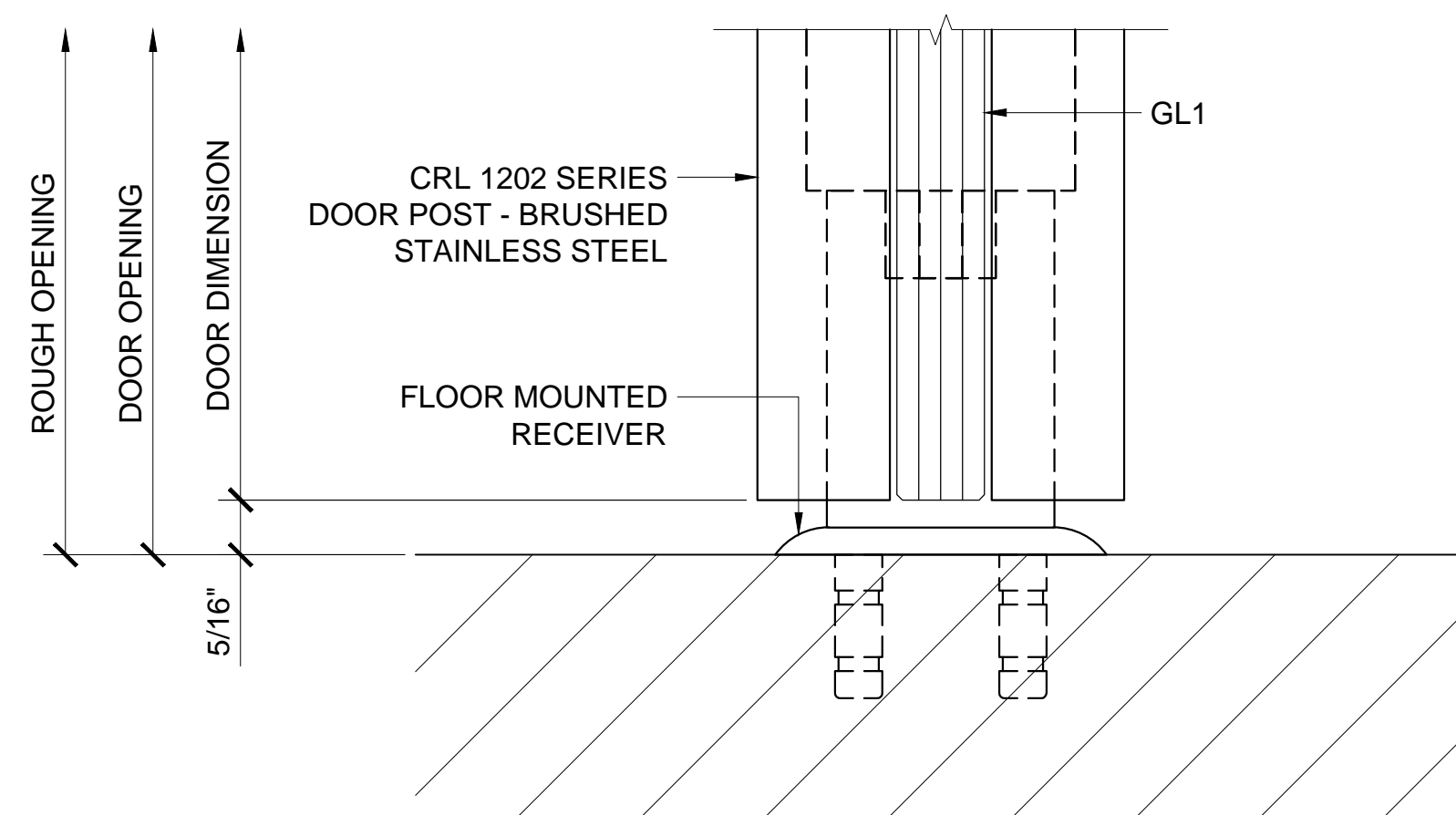
① TRANSOM HEAD DETAIL

ARCH REF: 1'-0"=1'-0"



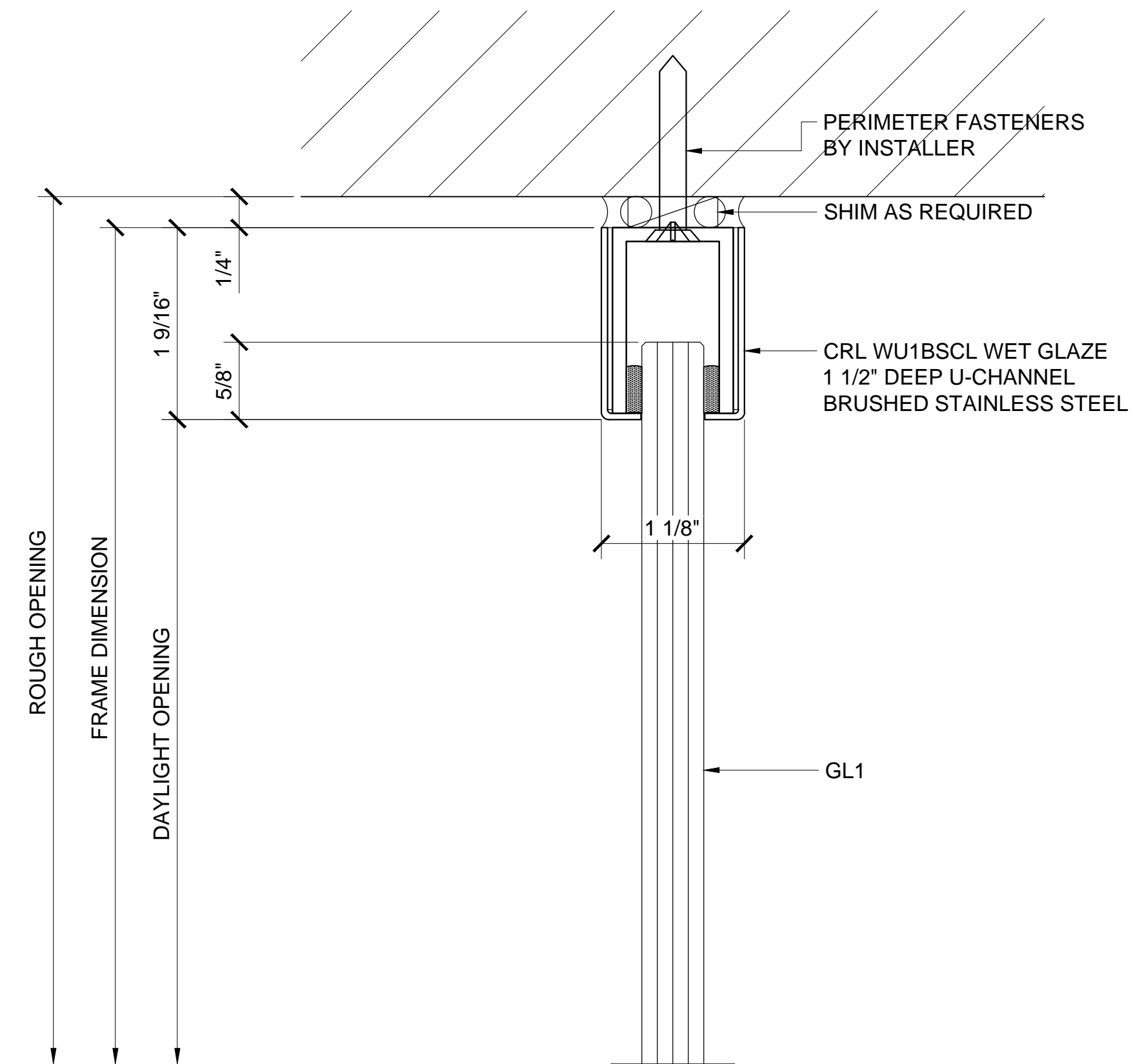
② DOOR HEAD AT TRANSOM DETAIL

ARCH REF: 1'-0"=1'-0"



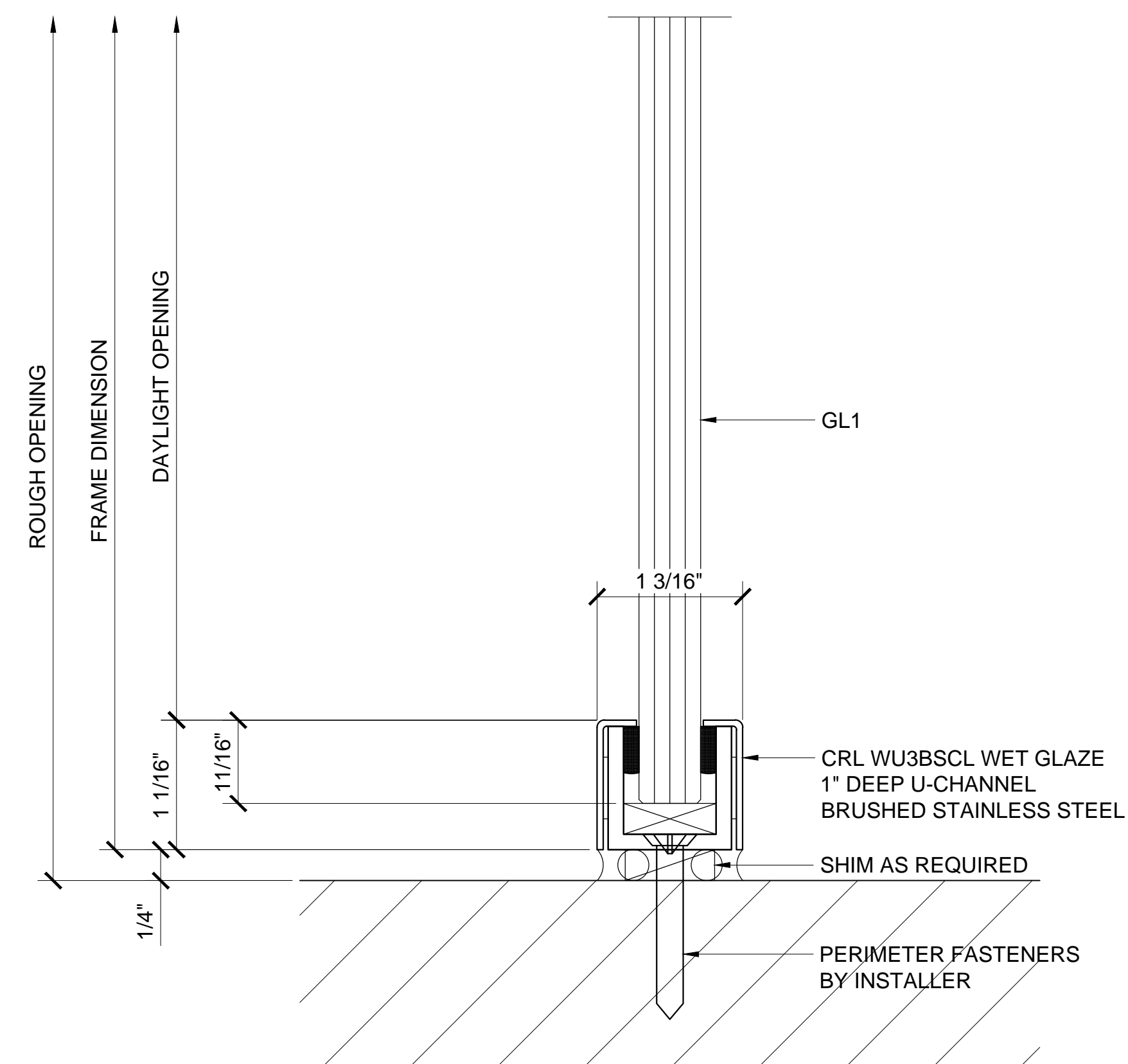
③ DOOR SILL DETAIL

ARCH REF: 1'-0"=1'-0"



④ SIDELITE HEAD DETAIL

ARCH REF: 1'-0"=1'-0"



⑤ SIDELITE SILL DETAIL

ARCH REF: 1'-0"=1'-0"

Revisions By:

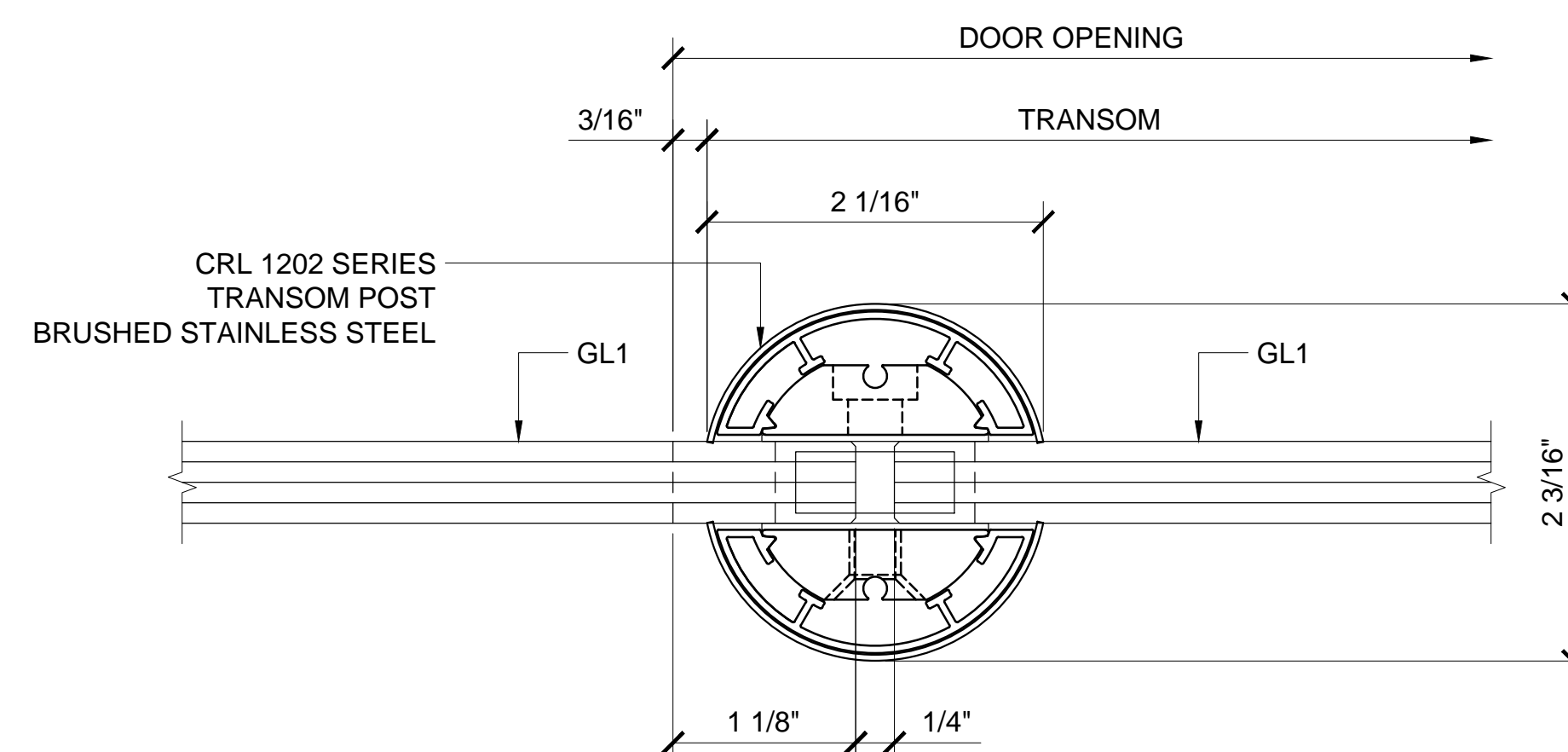


Description:
 1202 SERIES SWINGING
 DOUBLE GLASS DOORS
 W/ TRANSOM & W/ SIDELITES
 ON TWO SIDES

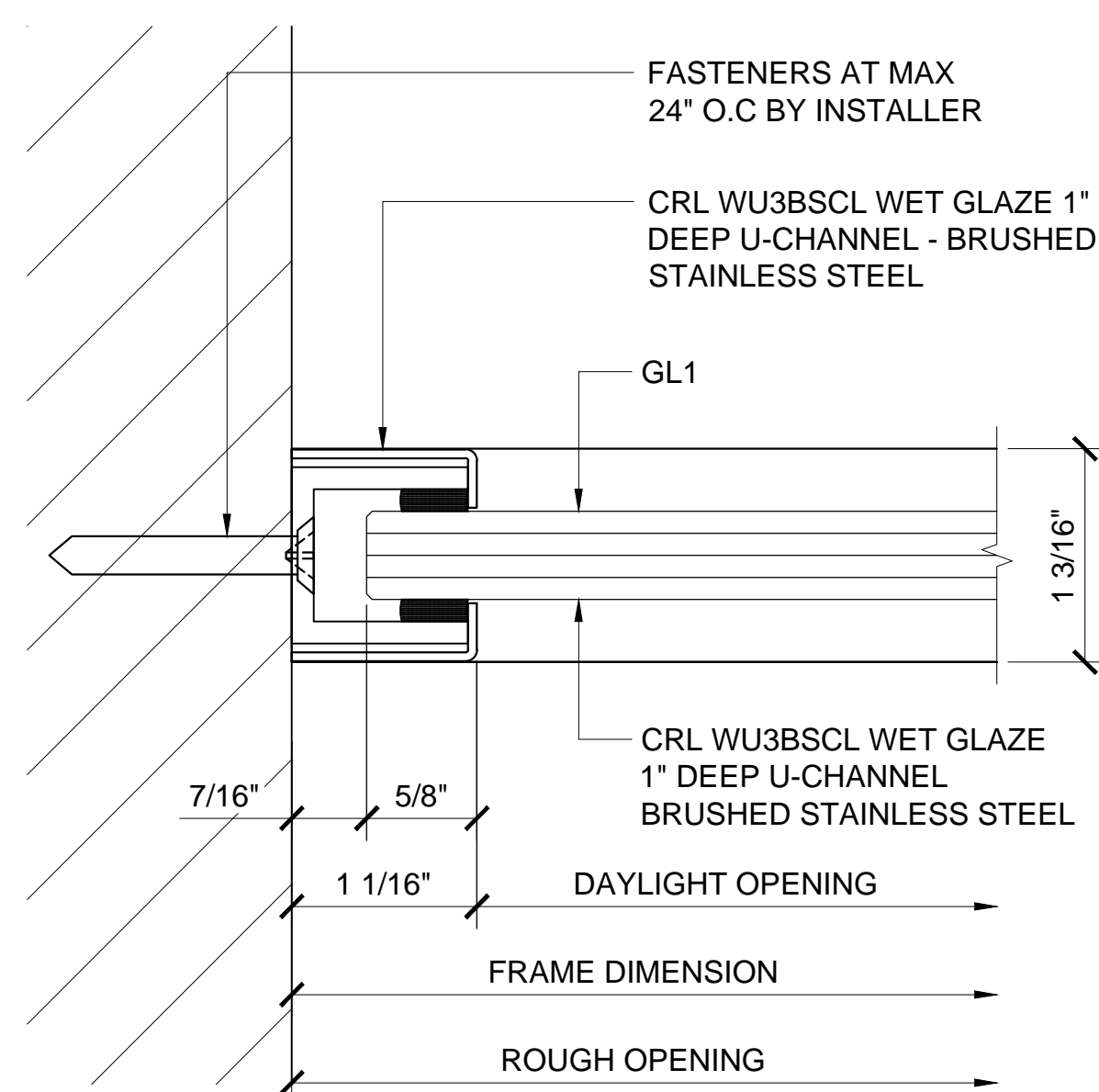
Drawn By: AAD
 Date: 10/21/15
 Scale: AS NOTED
 File Name: 4-1202 Series Swinging
 Double Glass Doors - W Transom &
 W Sidelites.dwg

Sheet

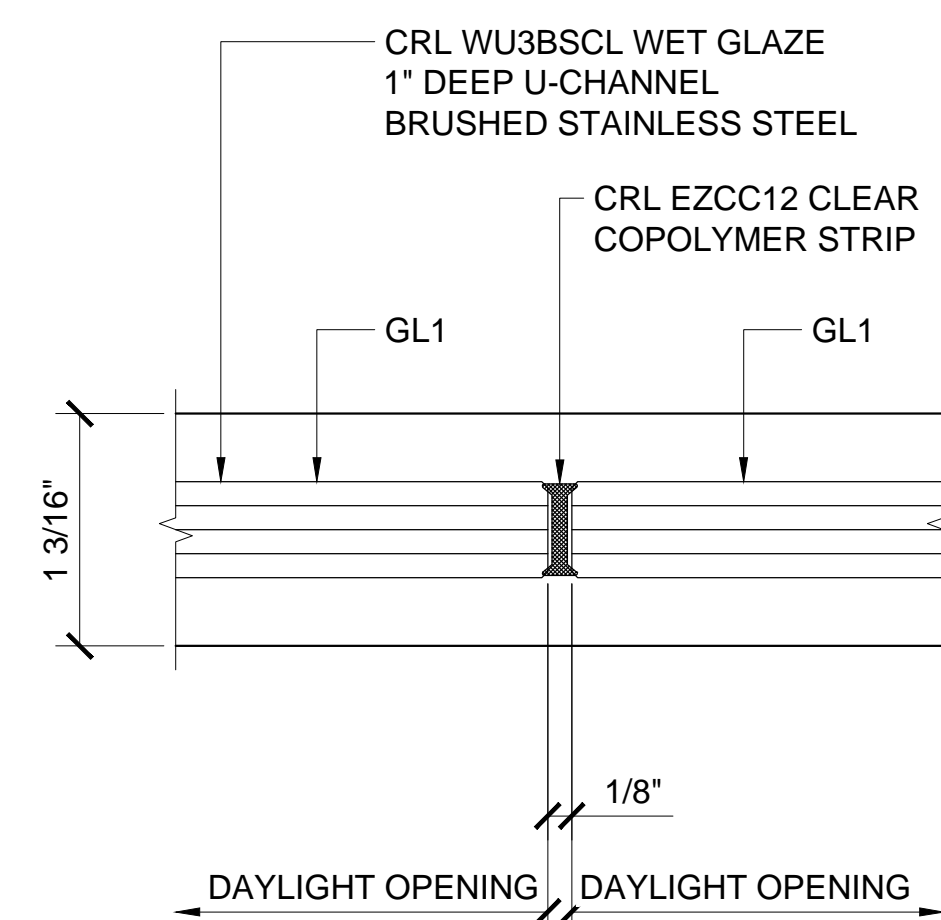
Revisions By:



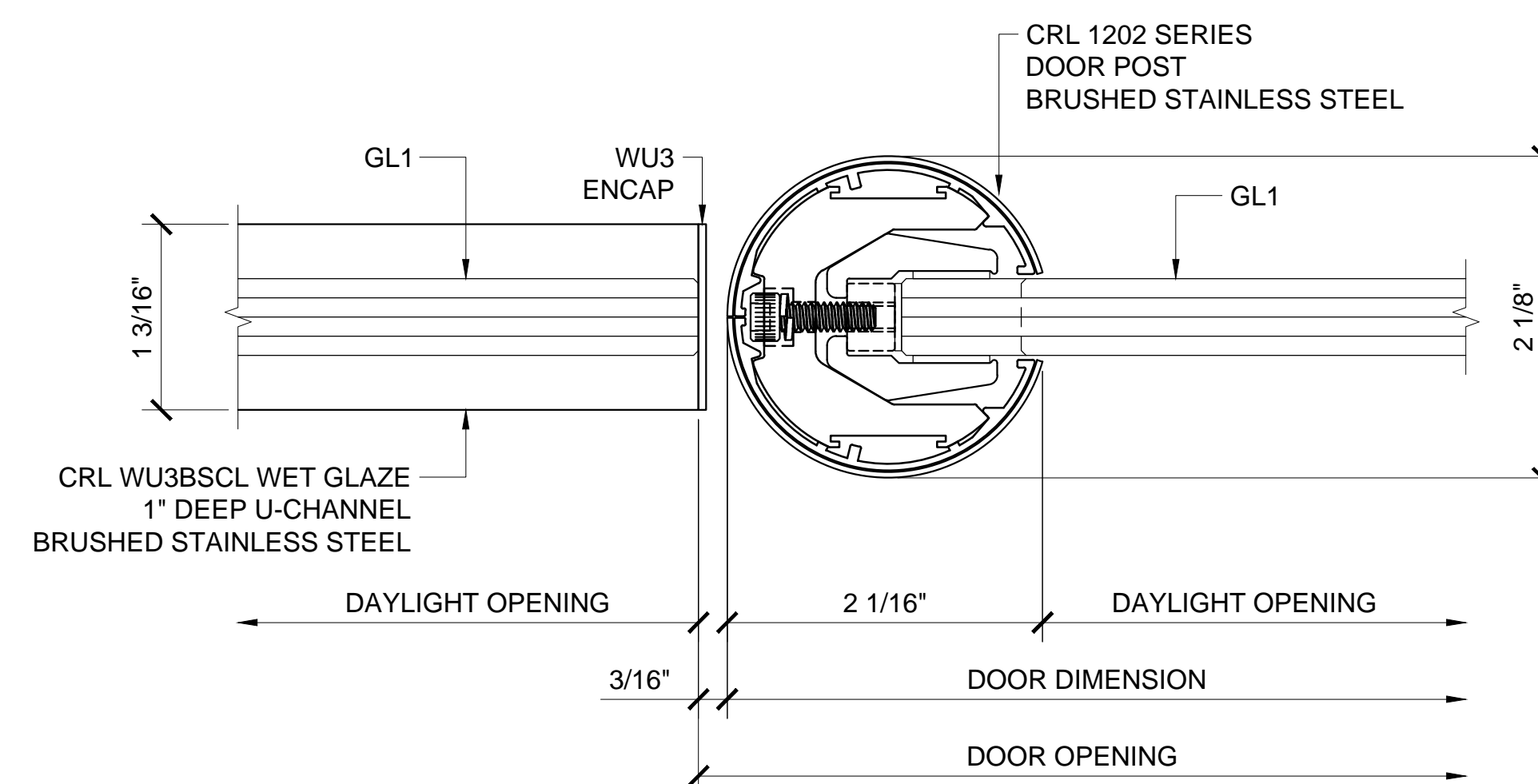
5 TRANSOM POST SECTION DETAIL
ARCH REF: 1'-0"=1'-0"



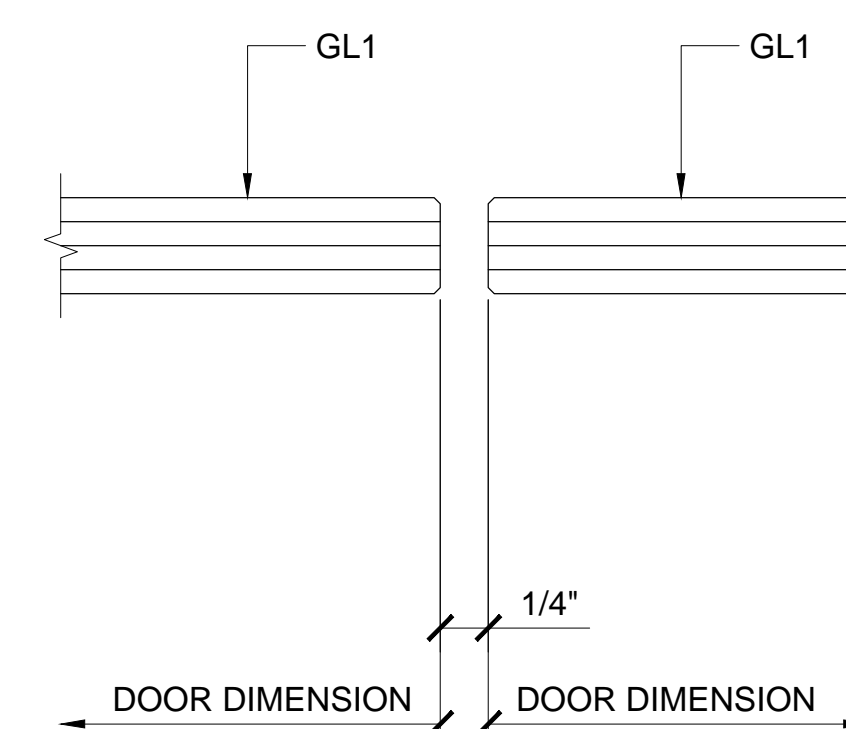
1 WALL JAMB DETAIL
ARCH REF: 1'-0"=1'-0"



2 GLASS JOINT
ARCH REF: 1'-0"=1'-0"



3 DOOR PIVOT POST SECTION DETAIL
ARCH REF: 1'-0"=1'-0"

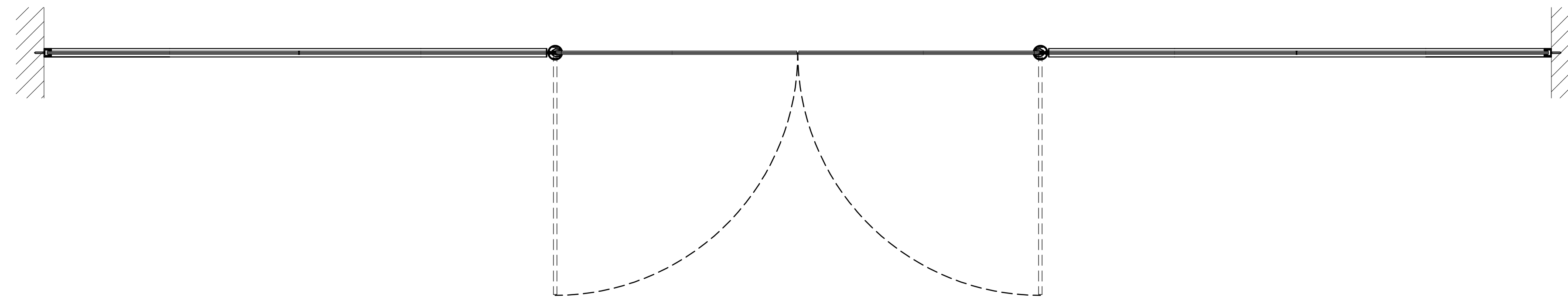


4 MEETING STILES
ARCH REF: 1'-0"=1'-0"

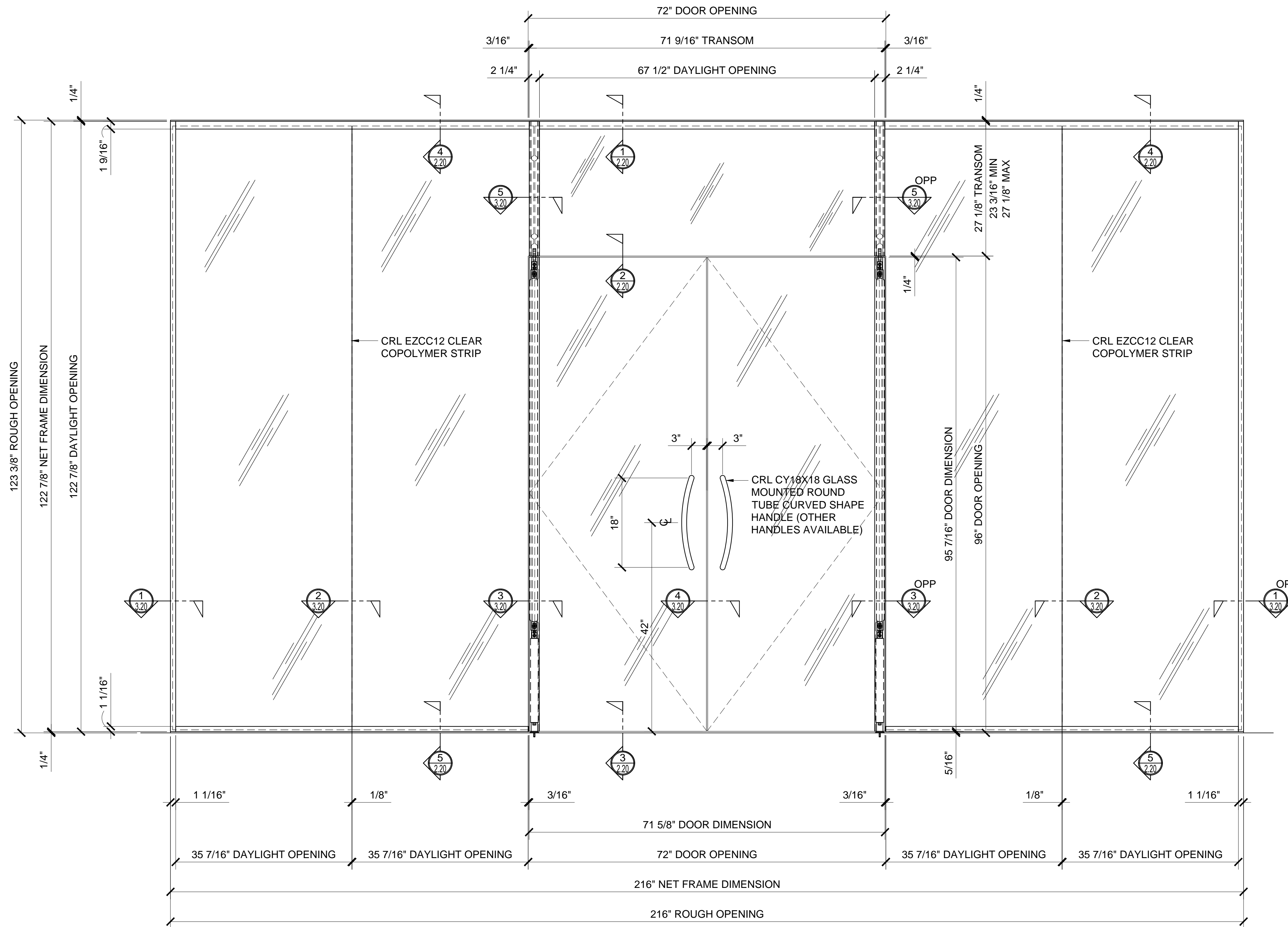
Description:
1202 SERIES SWINGING
DOUBLE GLASS DOORS
W/ TRANSOM & W/ SIDELITES
ON TWO SIDES

Drawn By: AAD
Date: 10/21/15
Scale: AS NOTED
File Name: 6-1202 Series Swinging
Double Glass Doors - W Transom &
W Sidelites.dwg

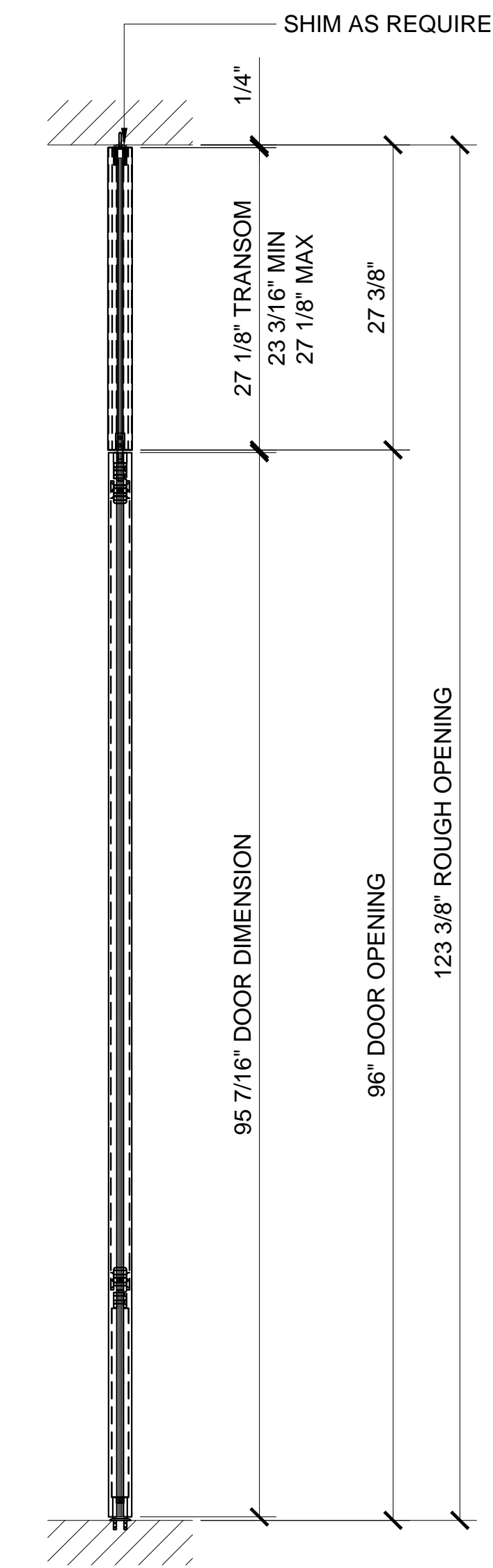
Sheet



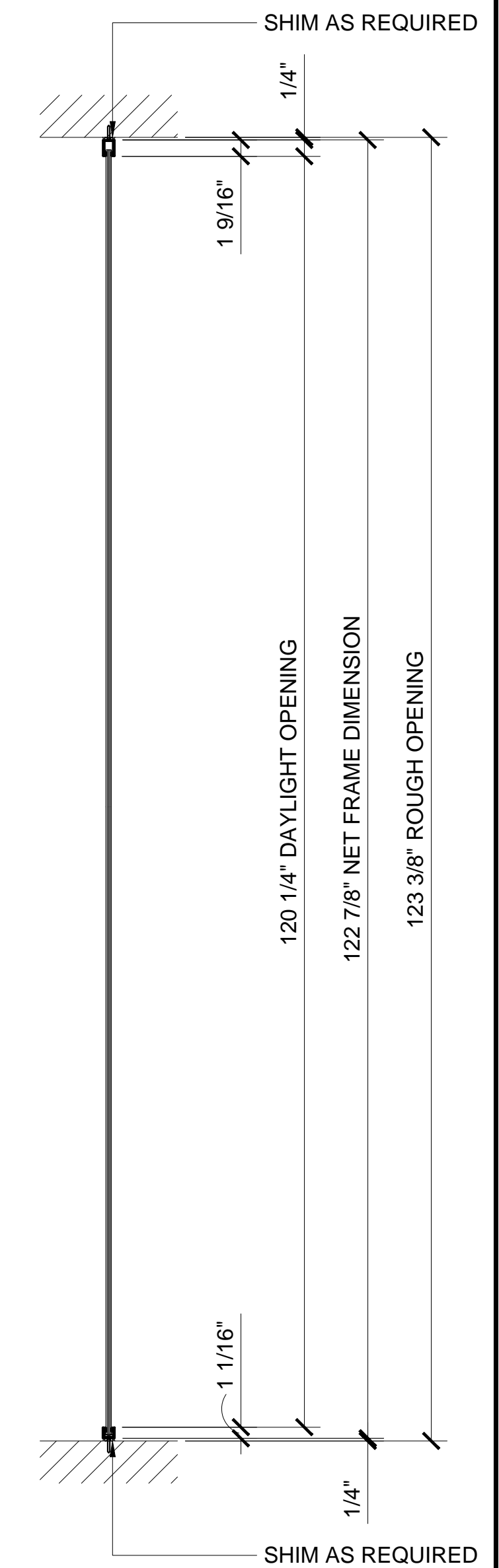
1 PLAN
ARCH REF: 1"=1'-0"



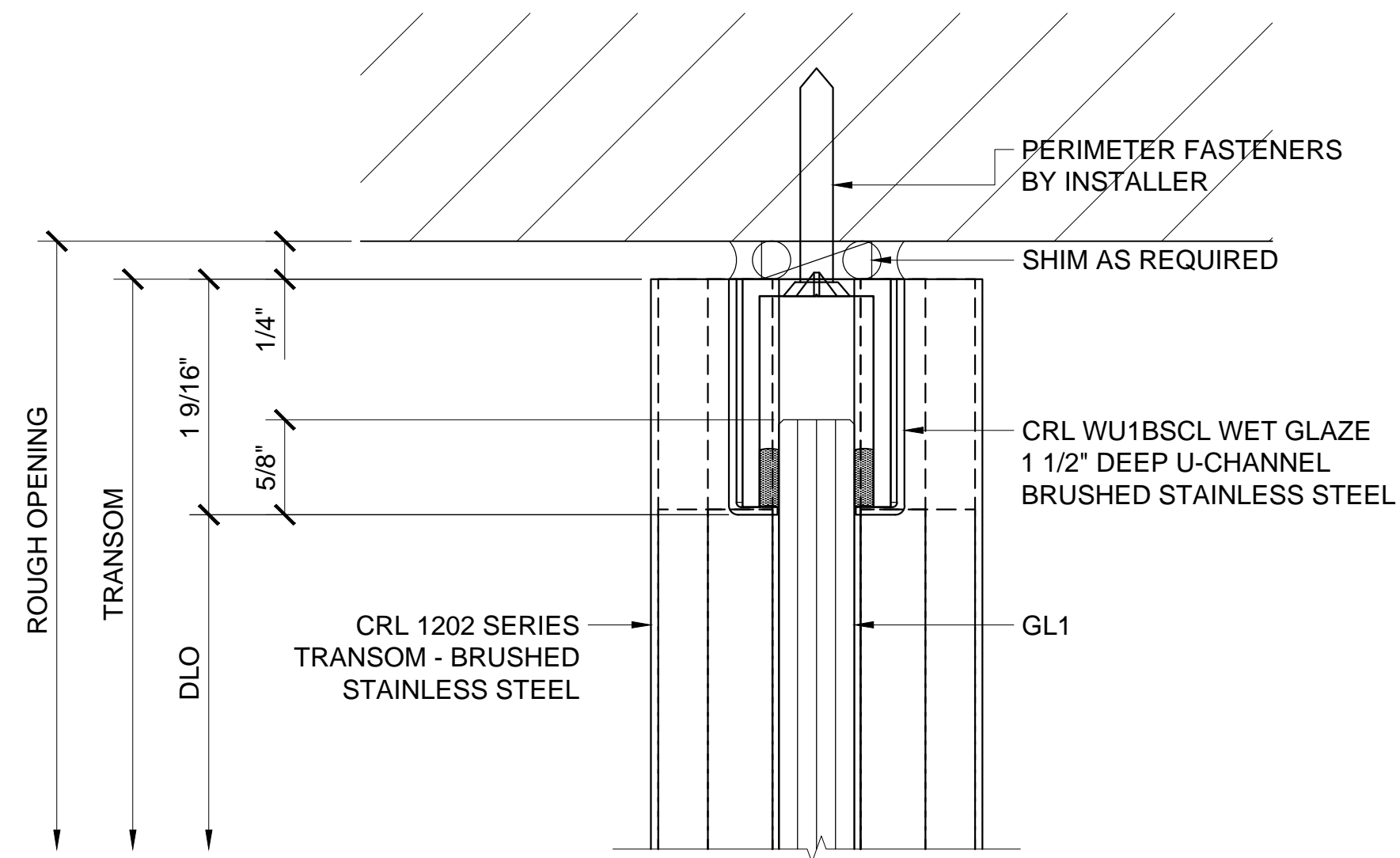
2 ELEVATION
ARCH REF: 1"=1'-0"



3 DOOR SECTION
ARCH REF: 1"=1'-0"

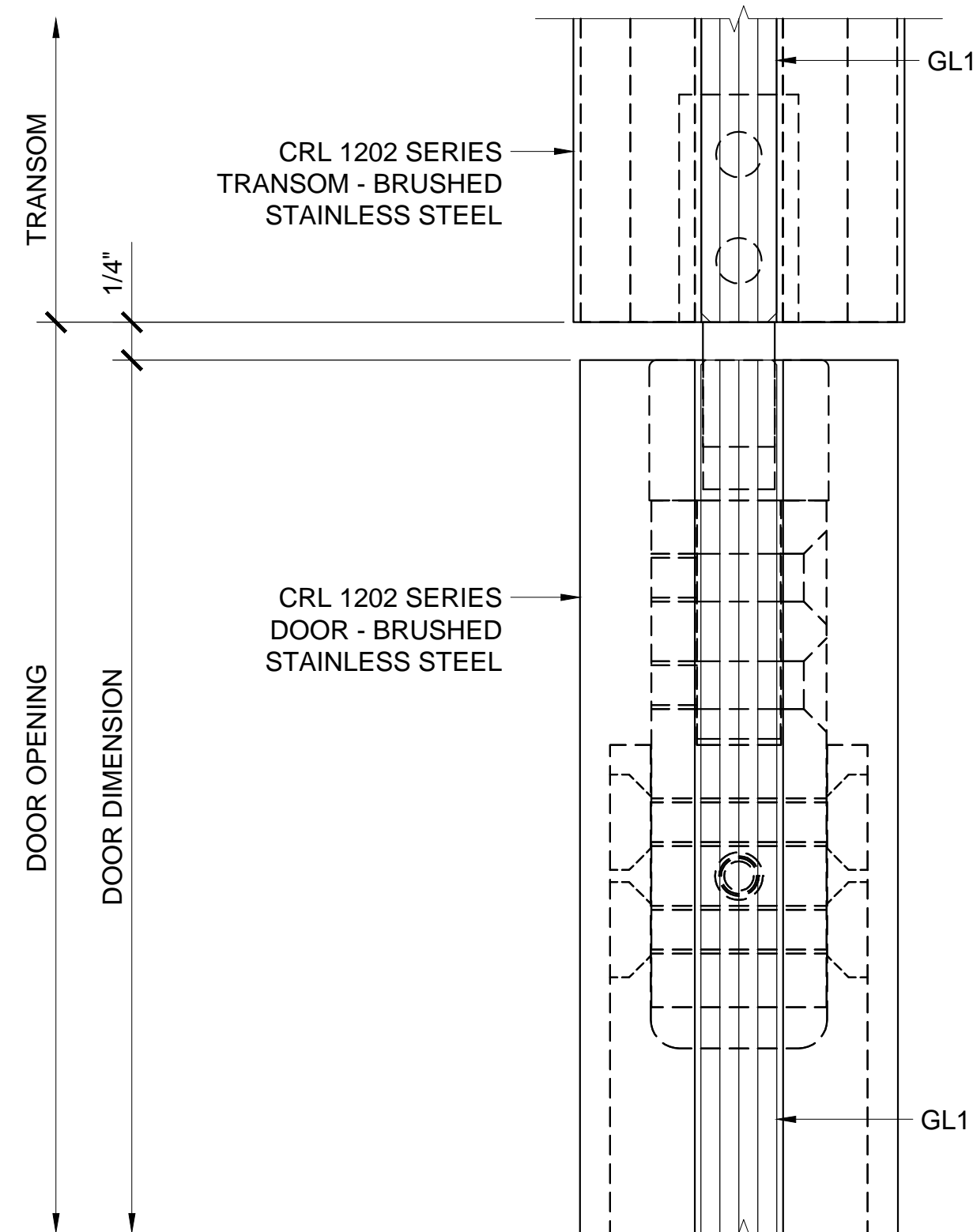


4 SIDELITE SECTION
ARCH REF: 1"=1'-0"



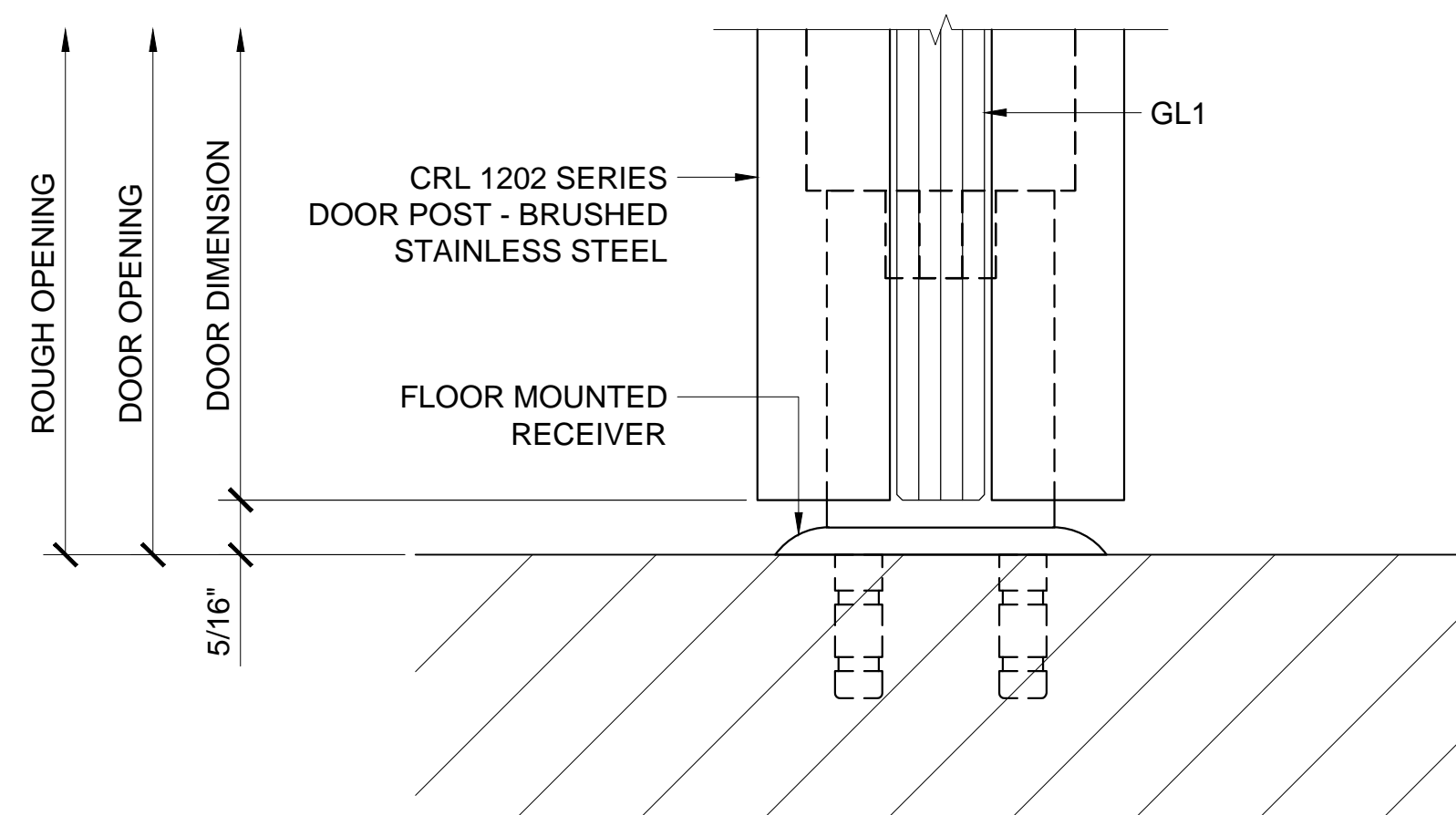
1 TRANSOM HEAD DETAIL

ARCH REF: 1'-0"=1'-0"



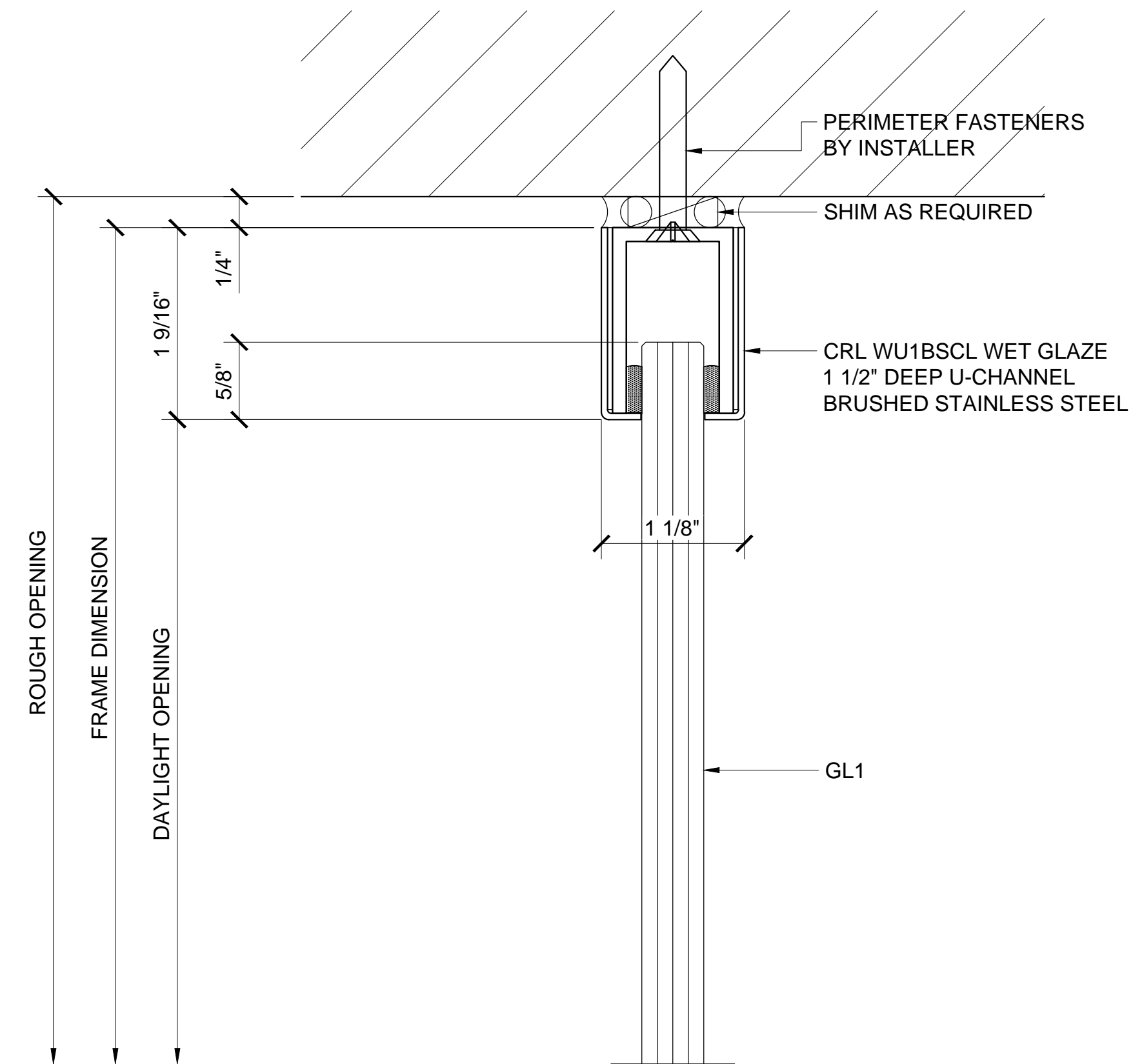
2 DOOR HEAD AT TRANSOM DETAIL

ARCH REF: 1'-0"=1'-0"



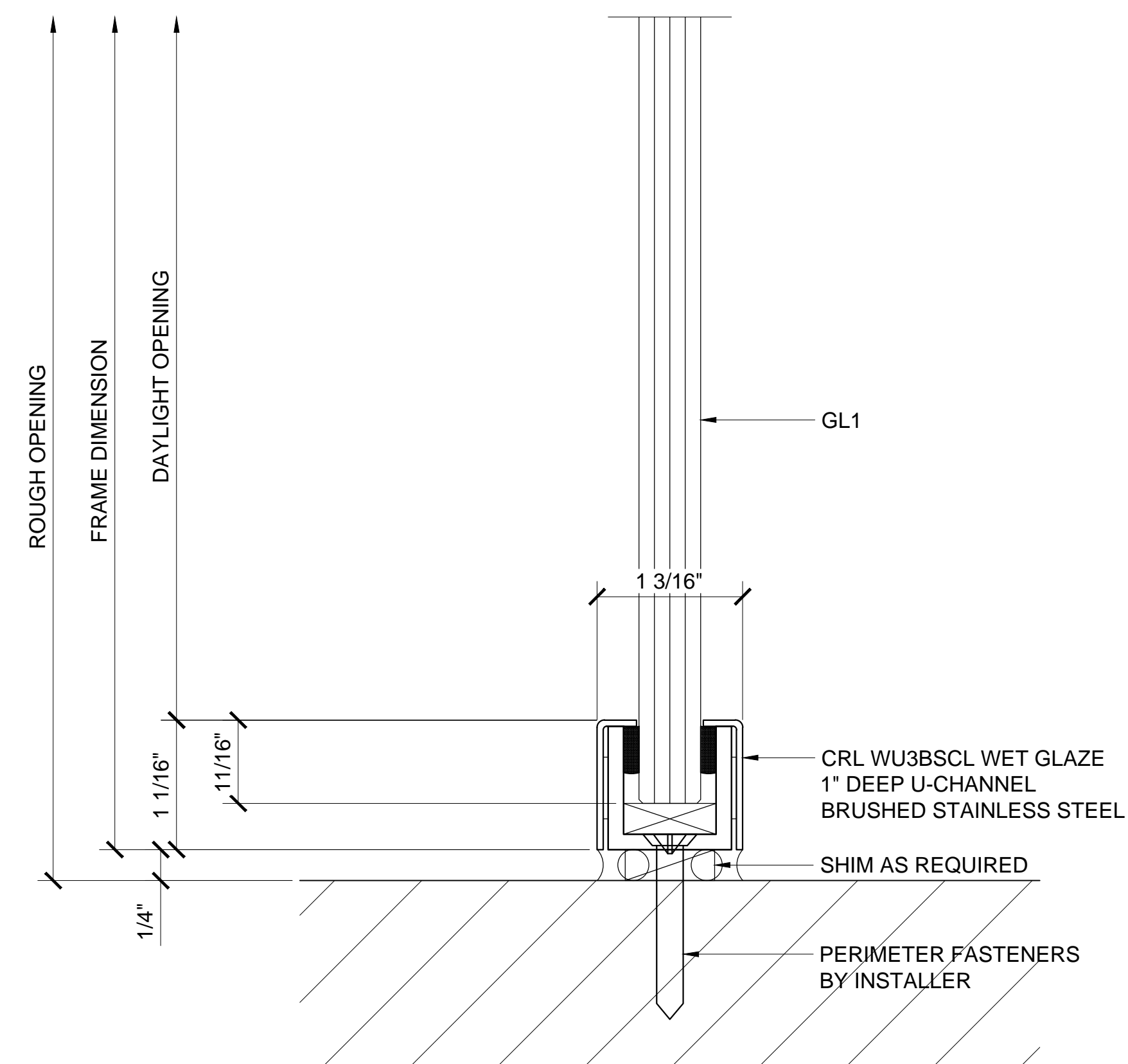
3 DOOR SILL DETAIL

ARCH REF: 1'-0"=1'-0"



4 SIDELITE HEAD DETAIL

ARCH REF: 1'-0"=1'-0"



5 SIDELITE SILL DETAIL

ARCH REF: 1'-0"=1'-0"

Revisions By:

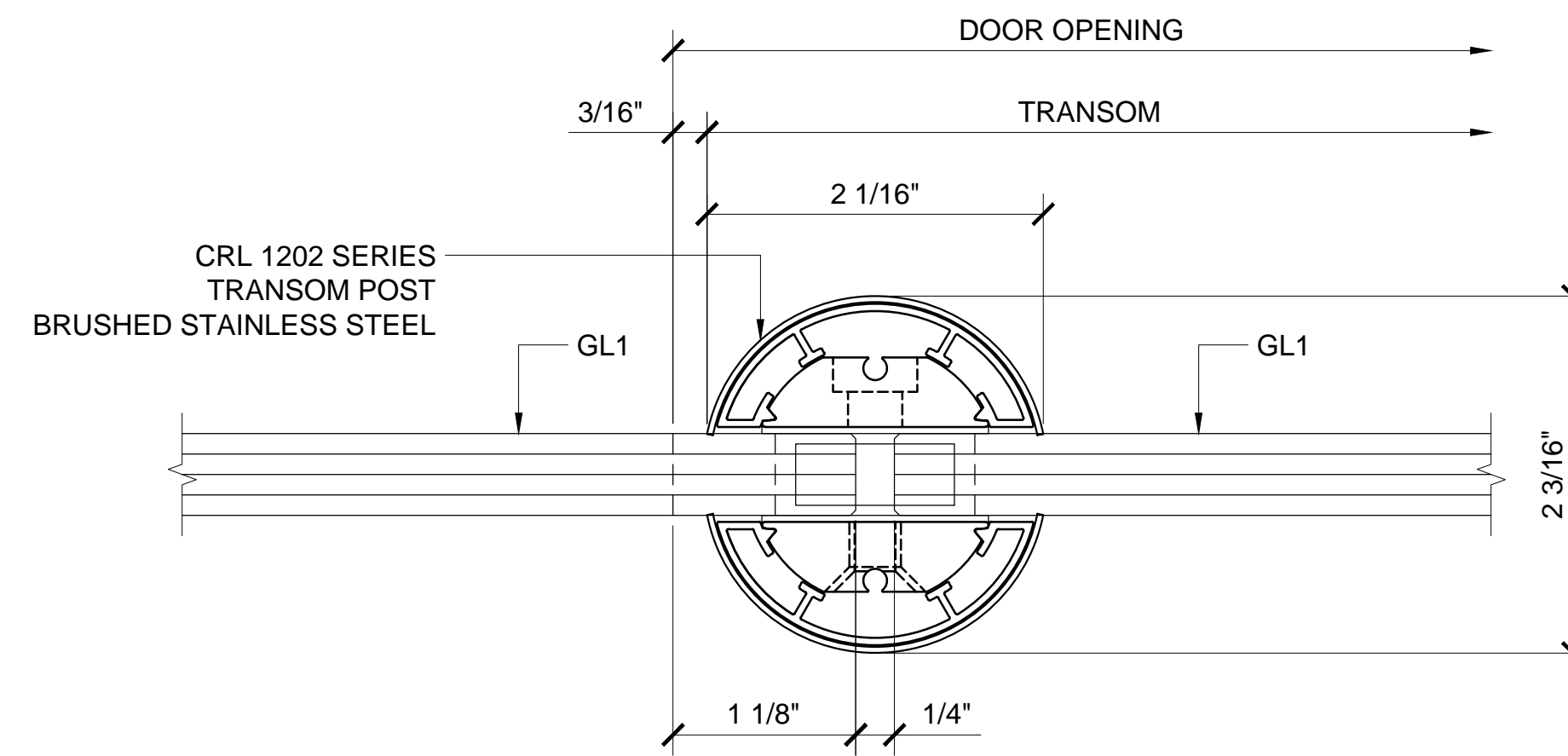


Description:
1202 SERIES SWINGING
DOUBLE GLASS DOORS
W/ TRANSOM & W/ SIDELITES
ON TWO SIDES

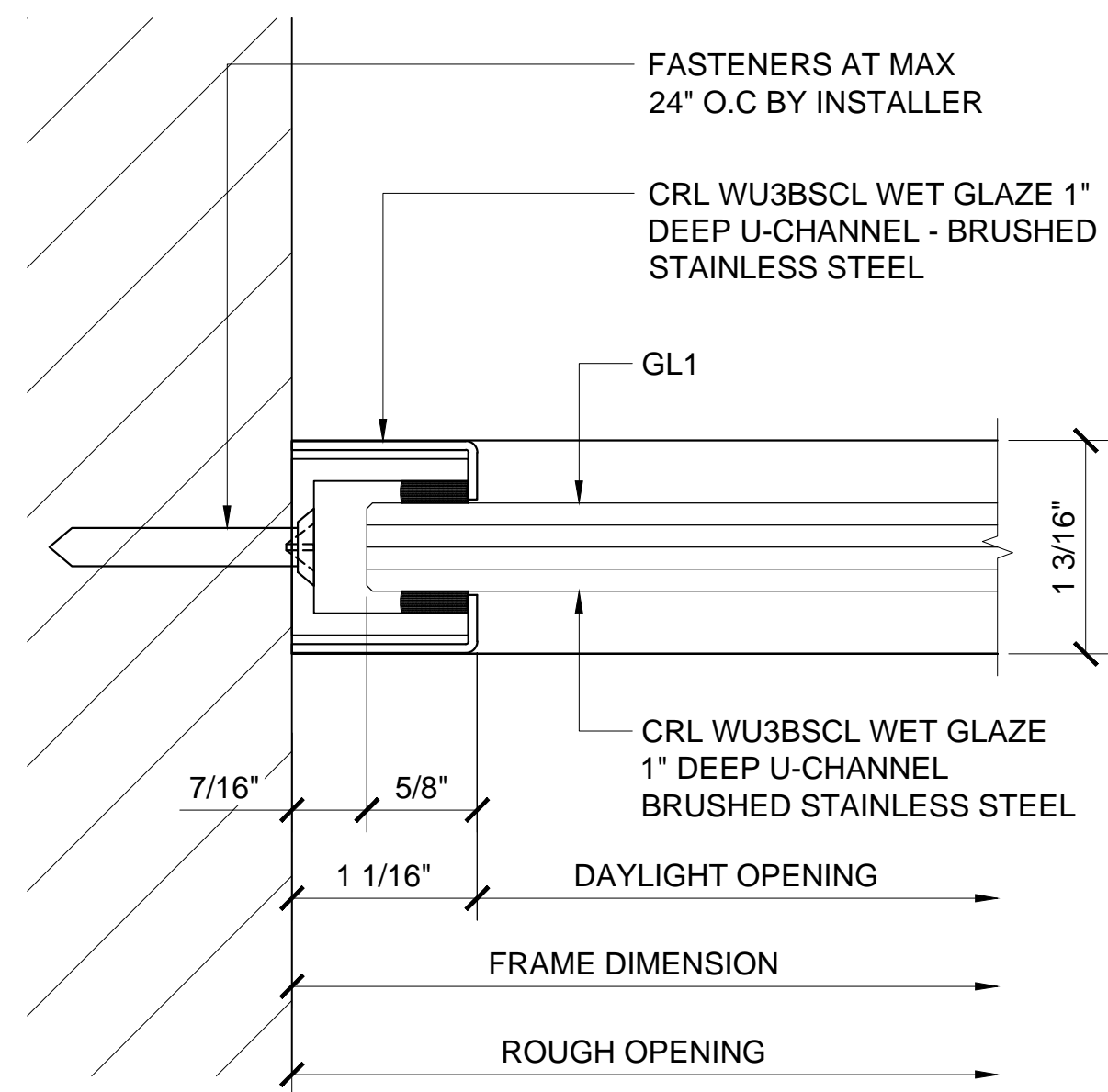
Drawn By: AAD
Date: 10/21/15
Scale: AS NOTED
File Name: 4-1202 Series Swinging
Double Glass Doors - W Transom &
W Sidelites.dwg

Sheet

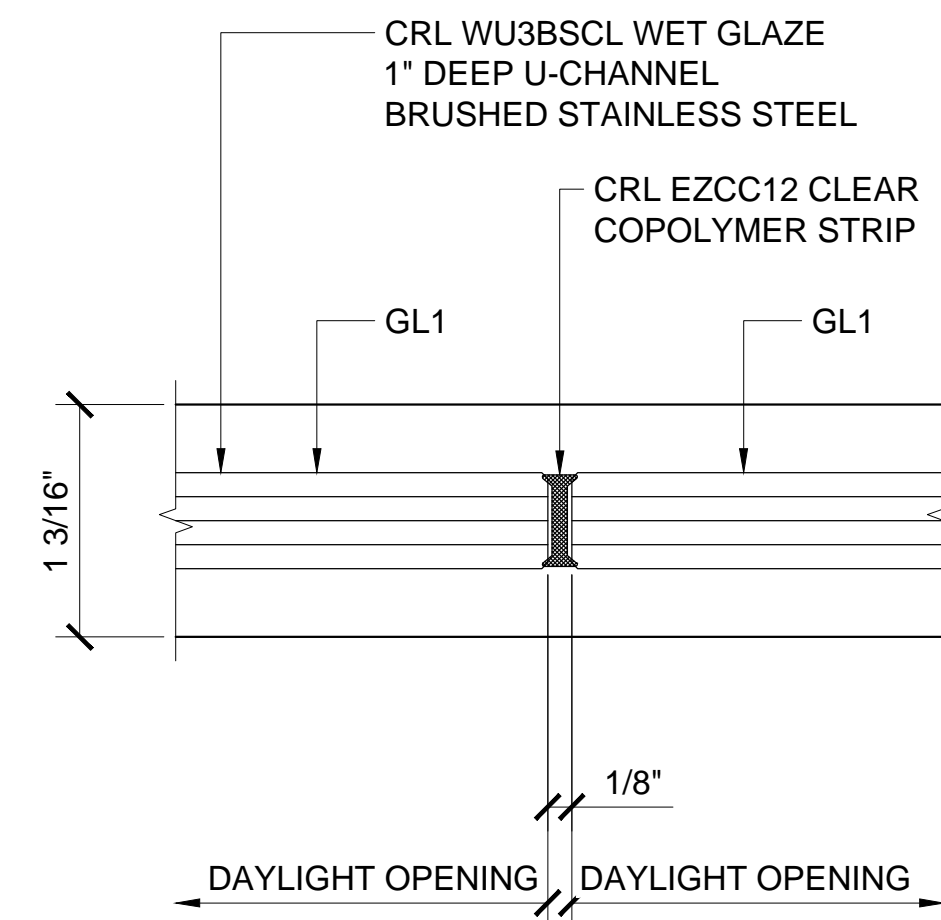
Revisions By:



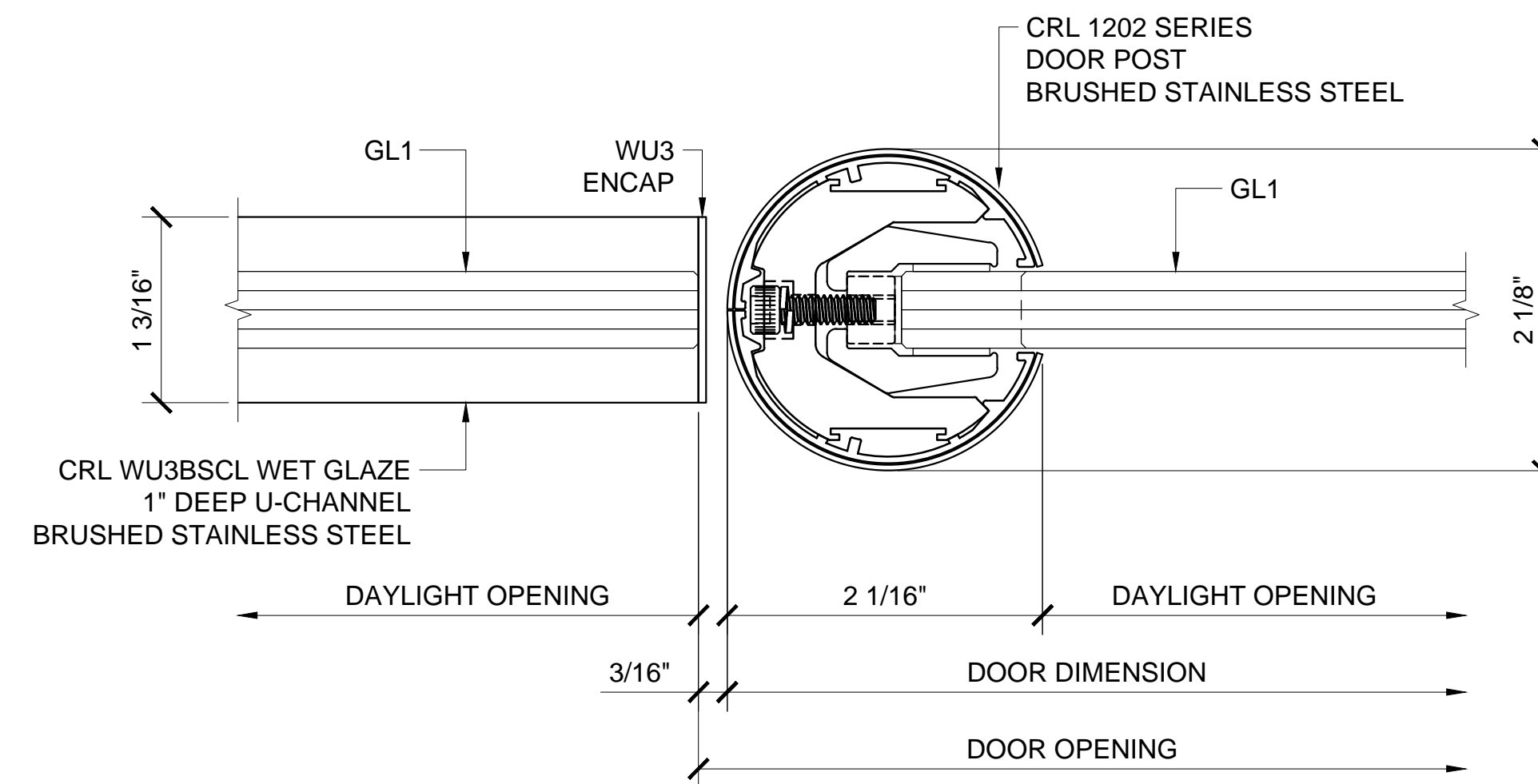
5 TRANSOM POST SECTION DETAIL
ARCH REF: 1'-0"=1'-0"



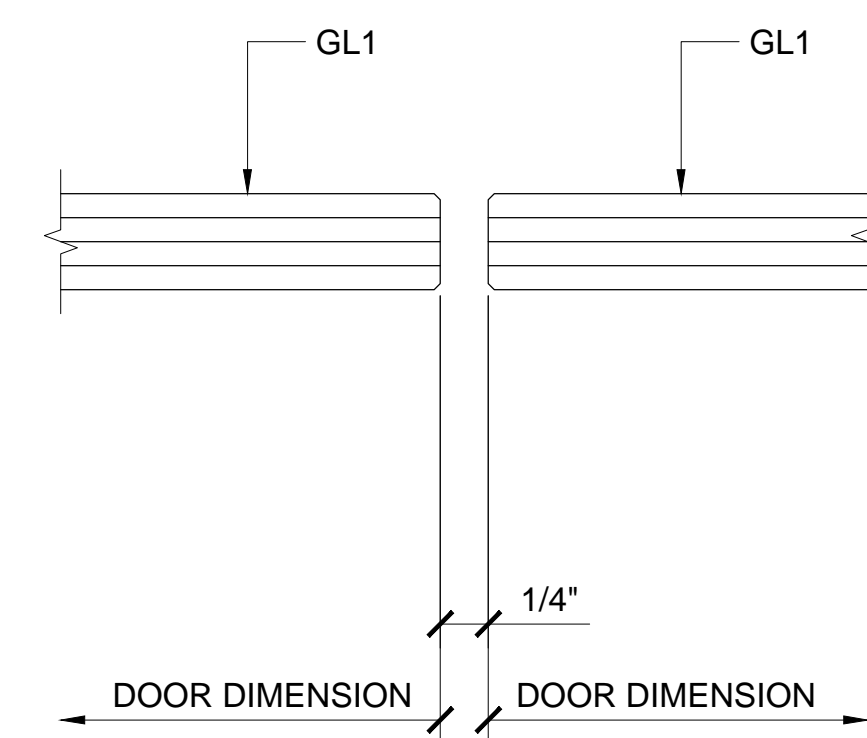
1 WALL JAMB DETAIL
ARCH REF: 1'-0"=1'-0"



2 GLASS JOINT
ARCH REF: 1'-0"=1'-0"



3 DOOR PIVOT POST SECTION DETAIL
ARCH REF: 1'-0"=1'-0"



4 MEETING STILES
ARCH REF: 1'-0"=1'-0"

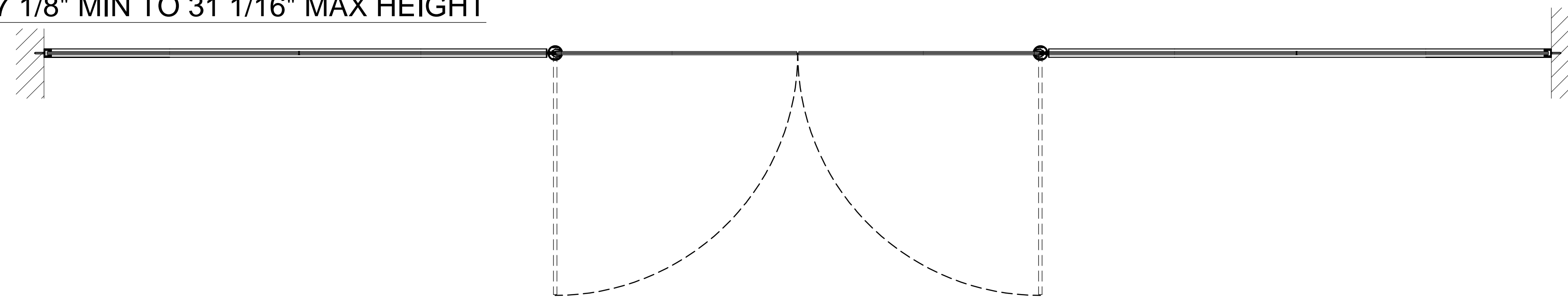
Description:
1202 SERIES SWINGING
DOUBLE GLASS DOORS
W/ TRANSOM & W/ SIDELITES
ON TWO SIDES

Drawn By: AAD
Date: 10/21/15
Scale: AS NOTED
File Name: 6-1202 Series Swinging
Double Glass Doors - W Transom &
W Sidelites.dwg

Sheet

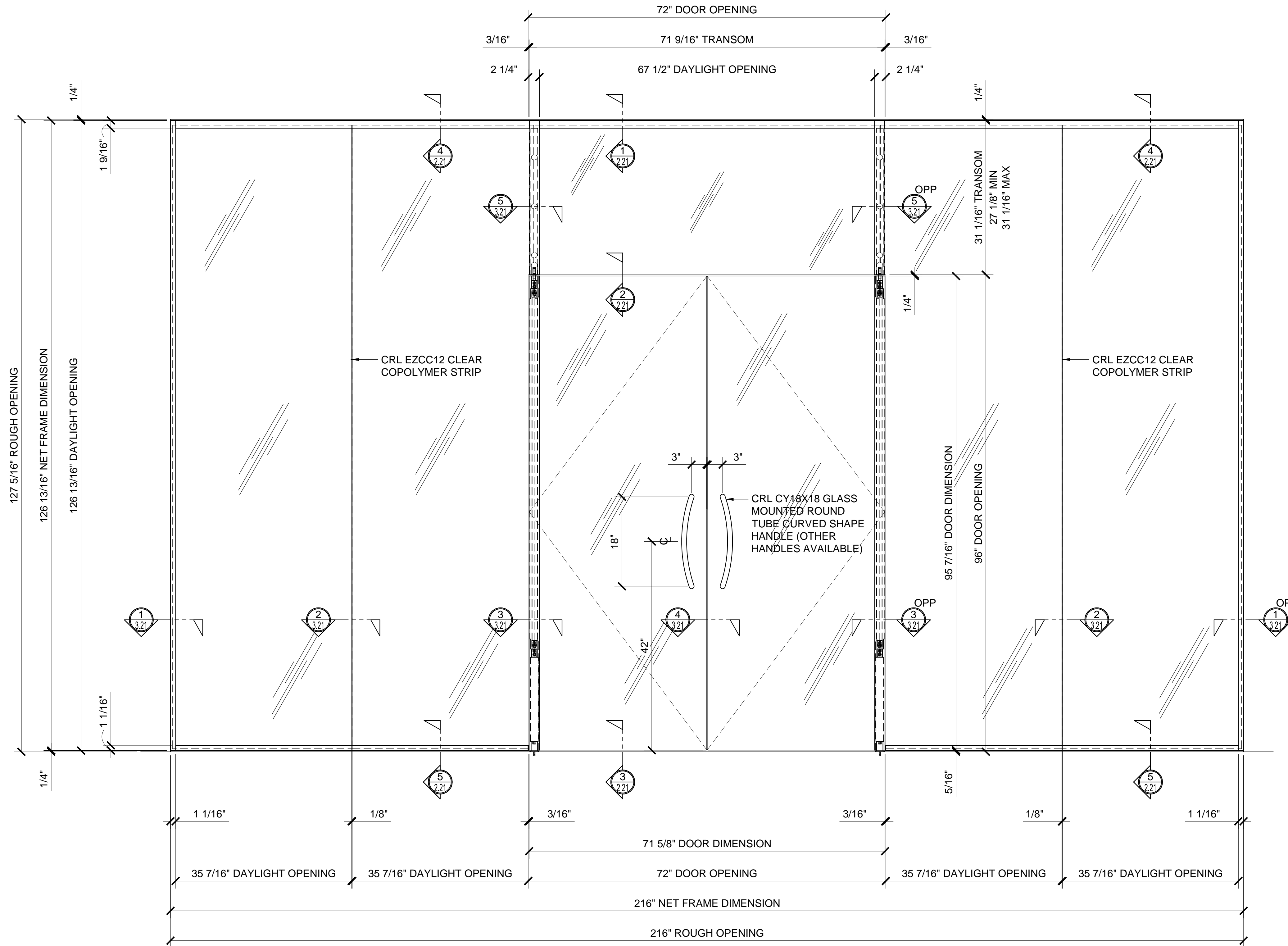


1202 SERIES SWINGING DOUBLE GLASS DOORS - W/ MEDIUM TRANSOM & W/ SIDELITES
 27 1/8" MIN TO 31 1/16" MAX HEIGHT



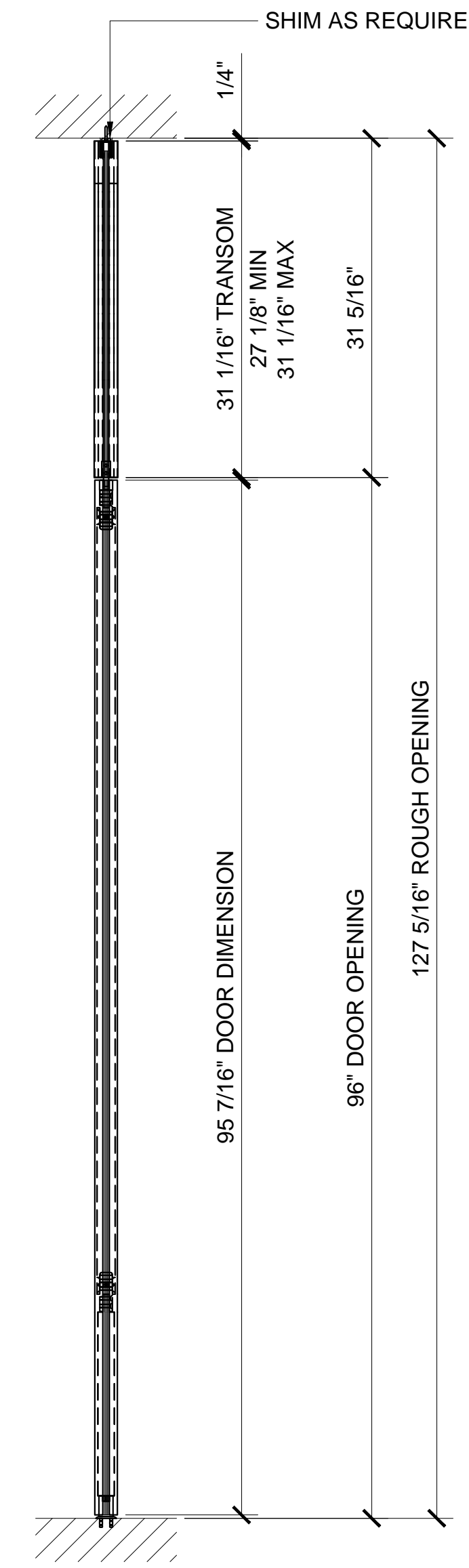
① PLAN

ARCH REF: 1"=1'-0"



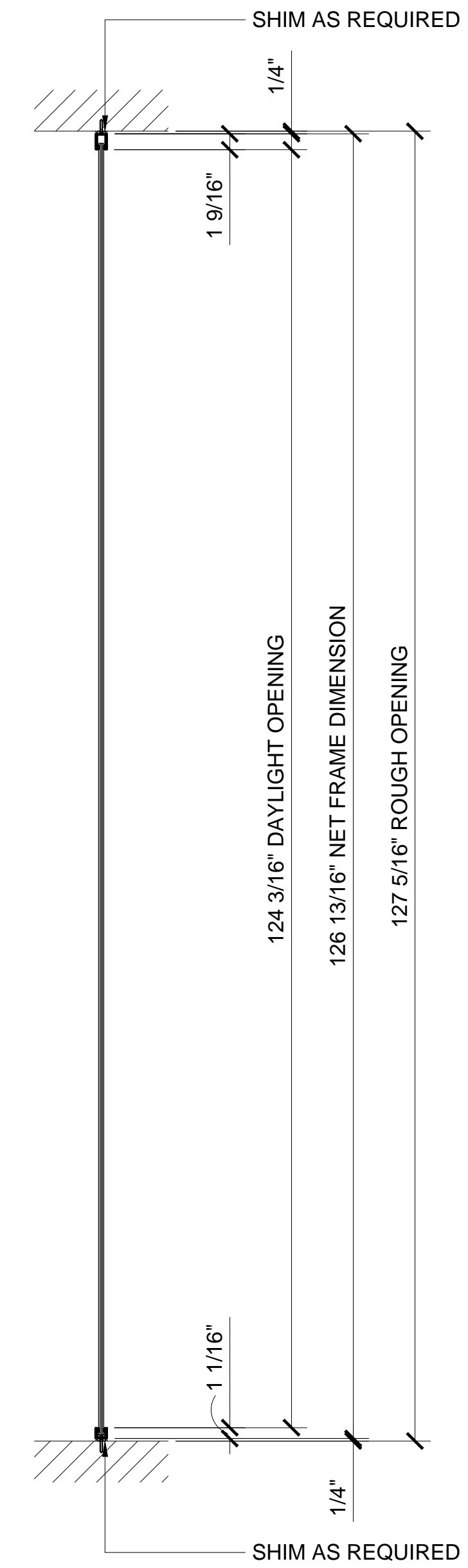
② ELEVATION

ARCH REF: 1"=1'-0"



③ DOOR SECTION

ARCH REF: 1"=1'-0"



④ SIDELITE SECTION

ARCH REF: 1"=1'-0"

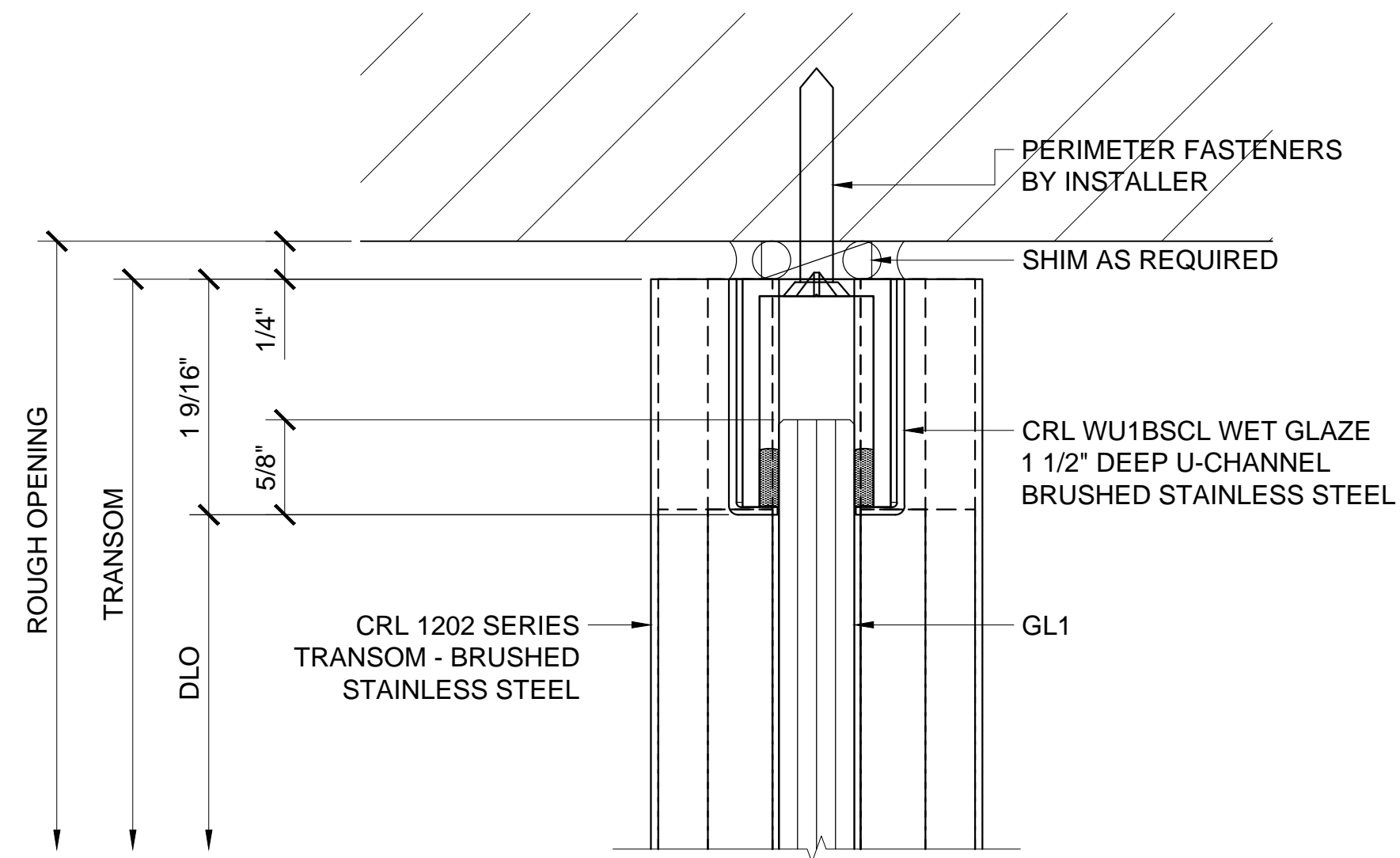
Revisions By:



Description:
 1202 SERIES SWINGING
 DOUBLE GLASS DOORS
 W/ TRANSOM & W/ SIDELITES
 ON TWO SIDES

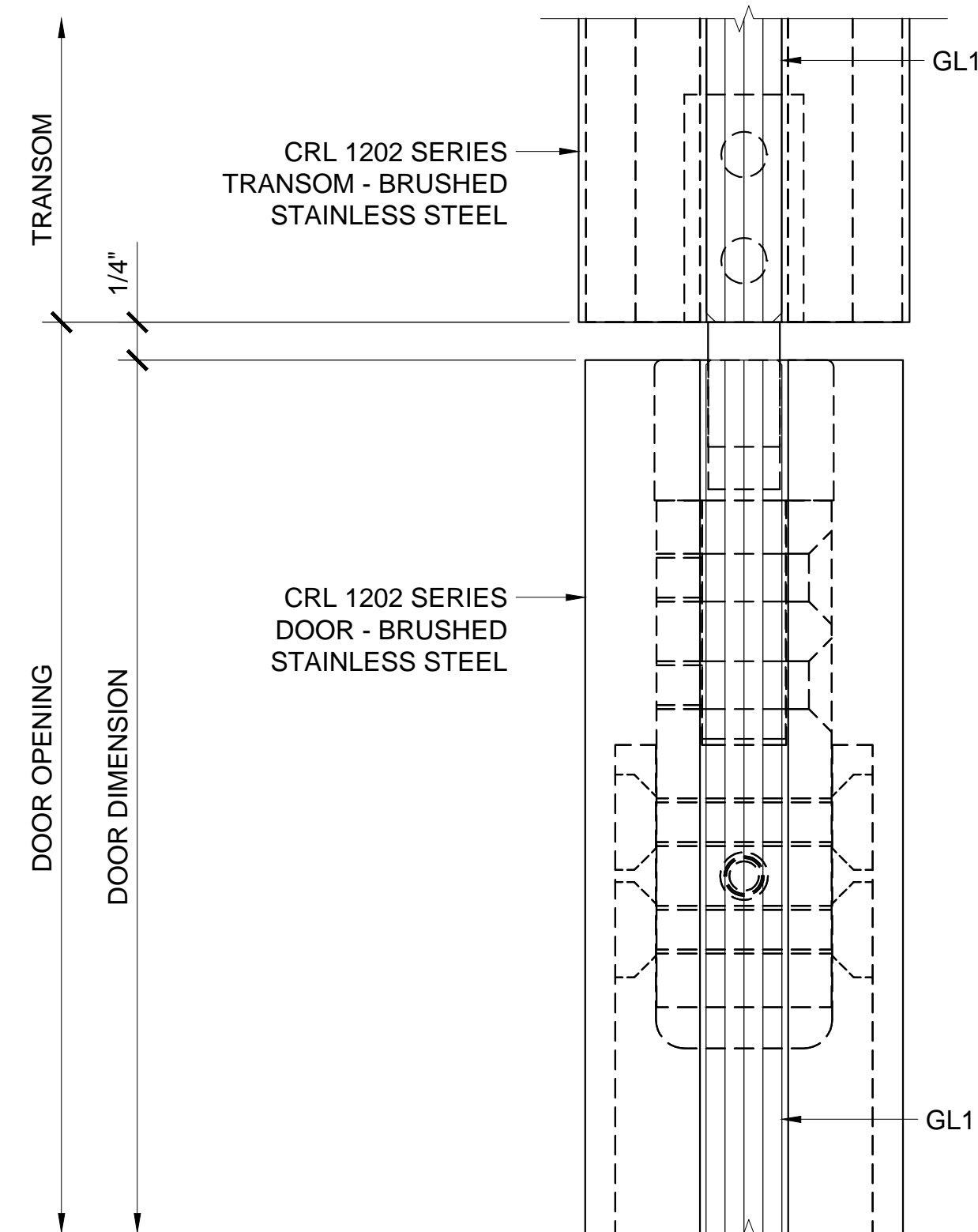
Drawn By: AAD
 Date: 10/21/15
 Scale: AS NOTED
 File Name: 6-1202 Series Swinging
 Double Glass Doors - W Transom &
 W Sidelites.owg

Sheet



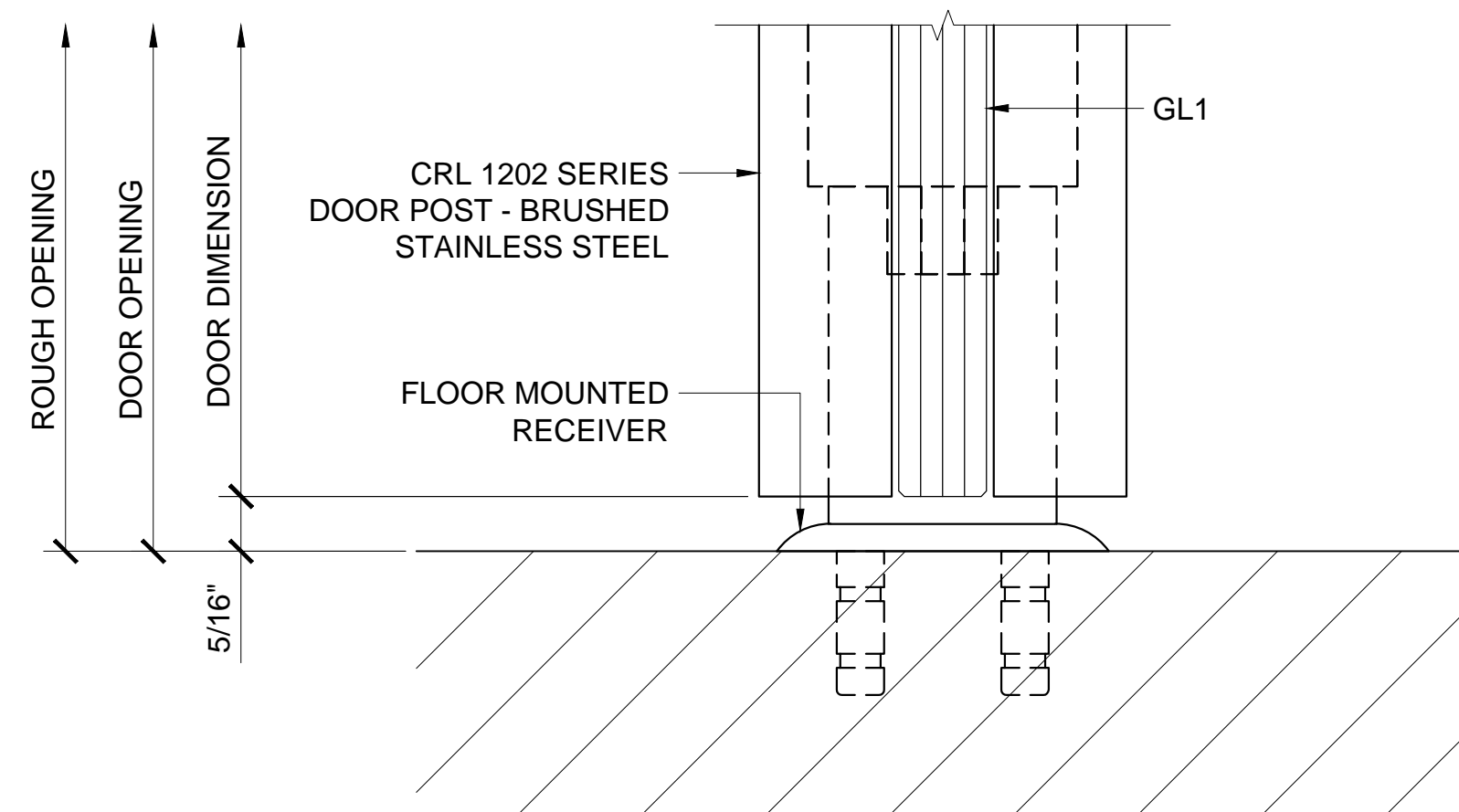
① TRANSOM HEAD DETAIL

ARCH REF: 1'-0"=1'-0"



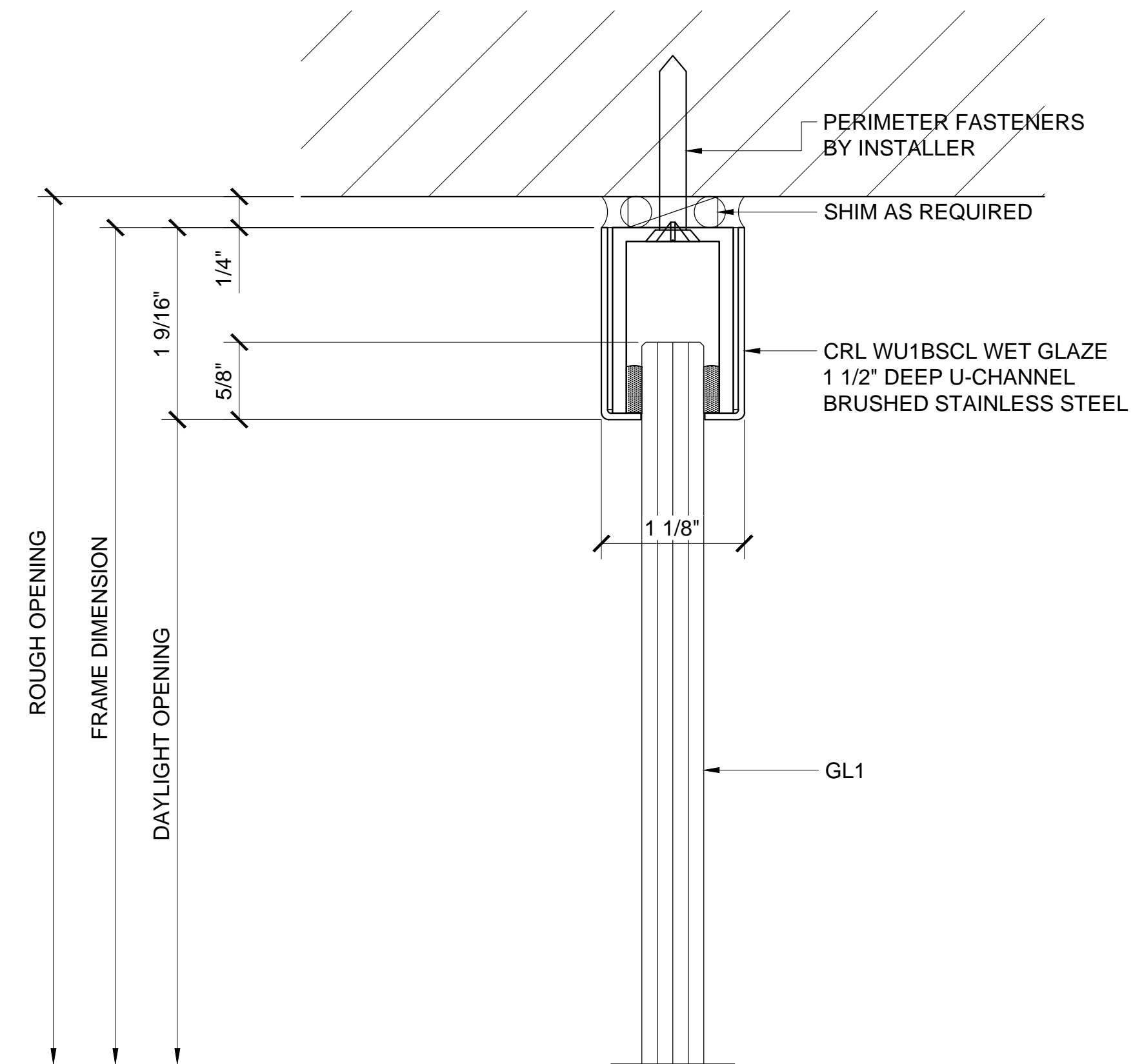
② DOOR HEAD AT TRANSOM DETAIL

ARCH REF: 1'-0"=1'-0"



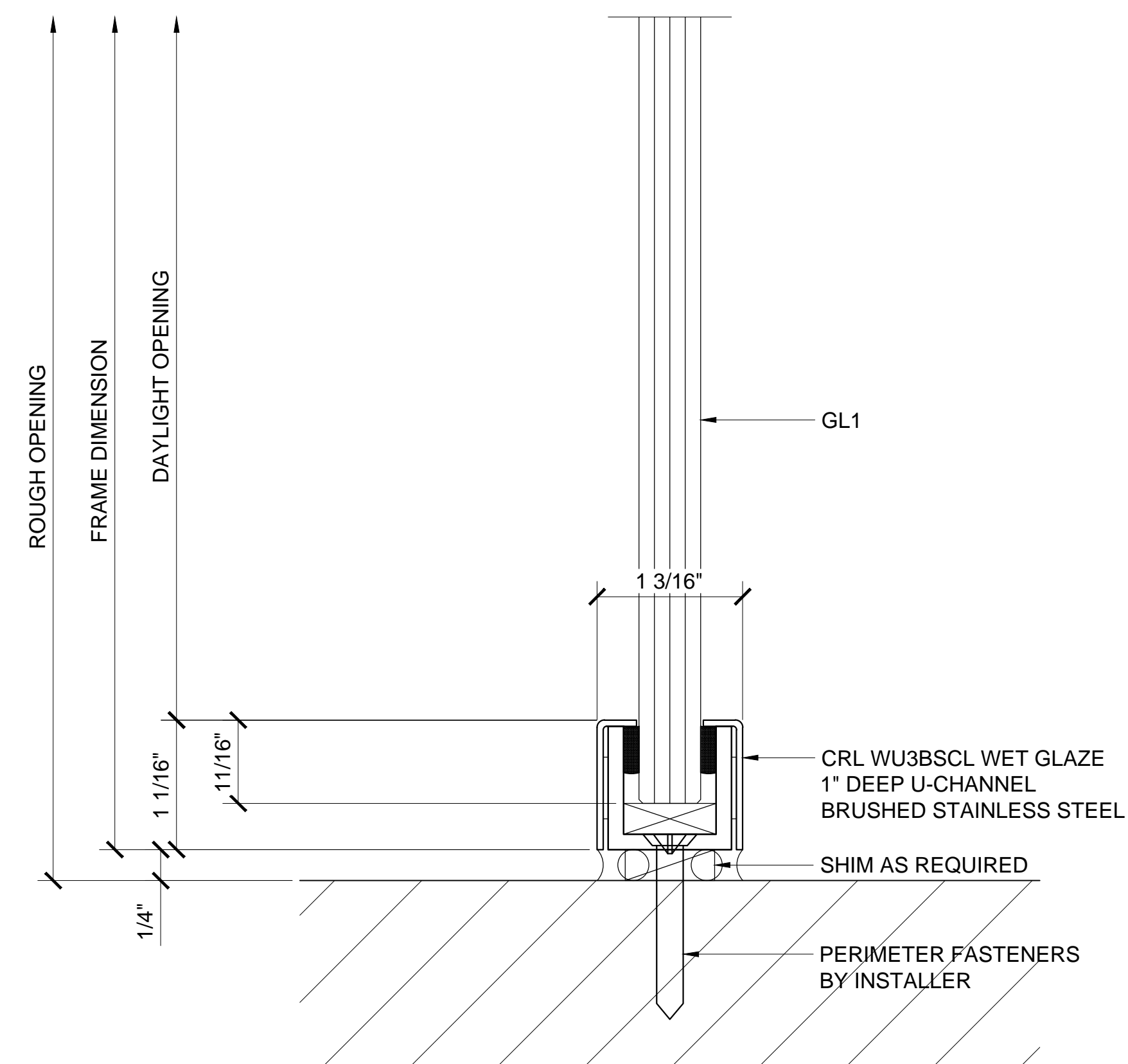
③ DOOR SILL DETAIL

ARCH REF: 1'-0"=1'-0"



④ SIDELITE HEAD DETAIL

ARCH REF: 1'-0"=1'-0"



⑤ SIDELITE SILL DETAIL

ARCH REF: 1'-0"=1'-0"

Revisions By:

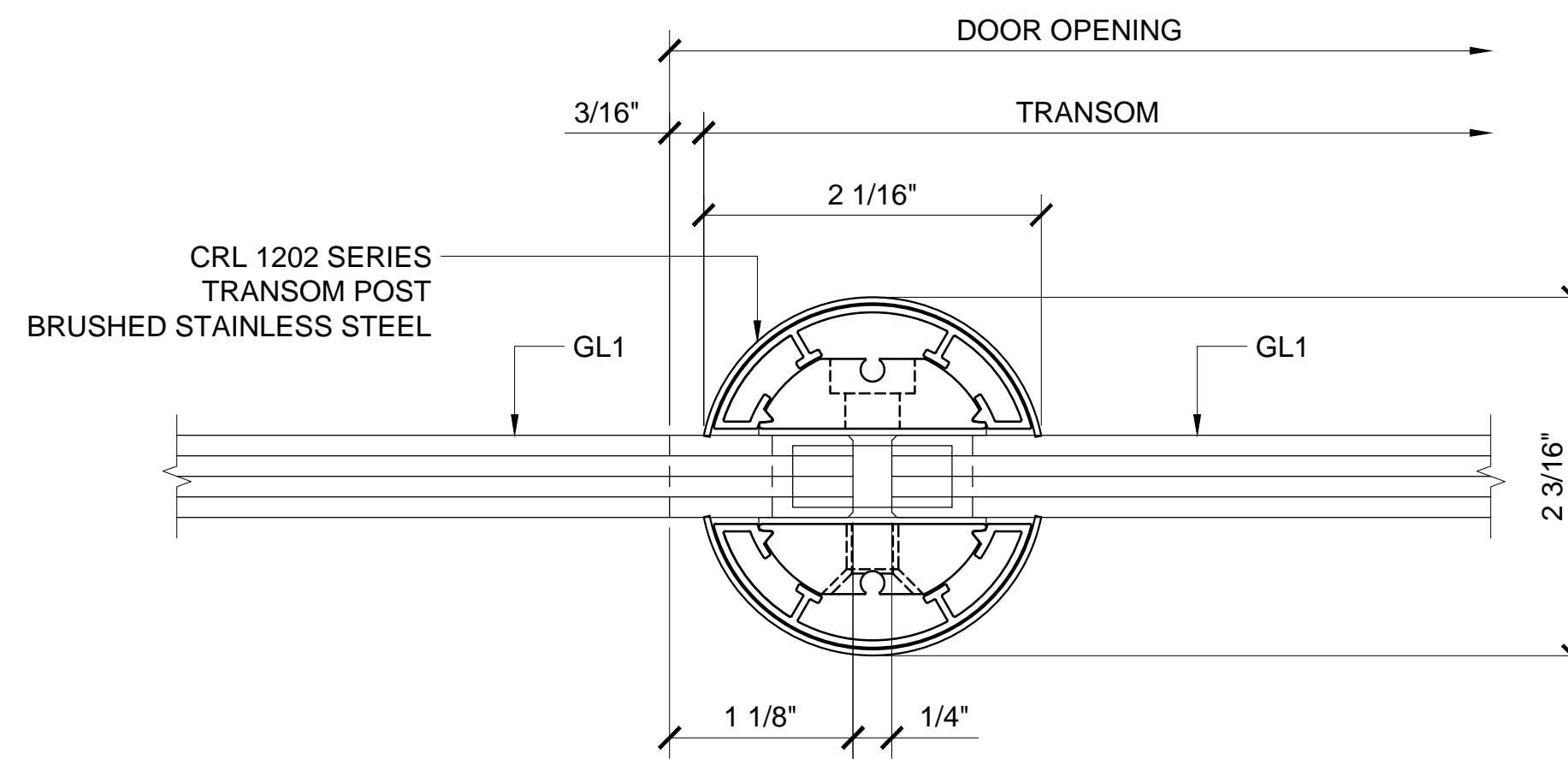


Description:
 1202 SERIES SWINGING
 DOUBLE GLASS DOORS
 W/ TRANSOM & W/ SIDELITES
 ON TWO SIDES

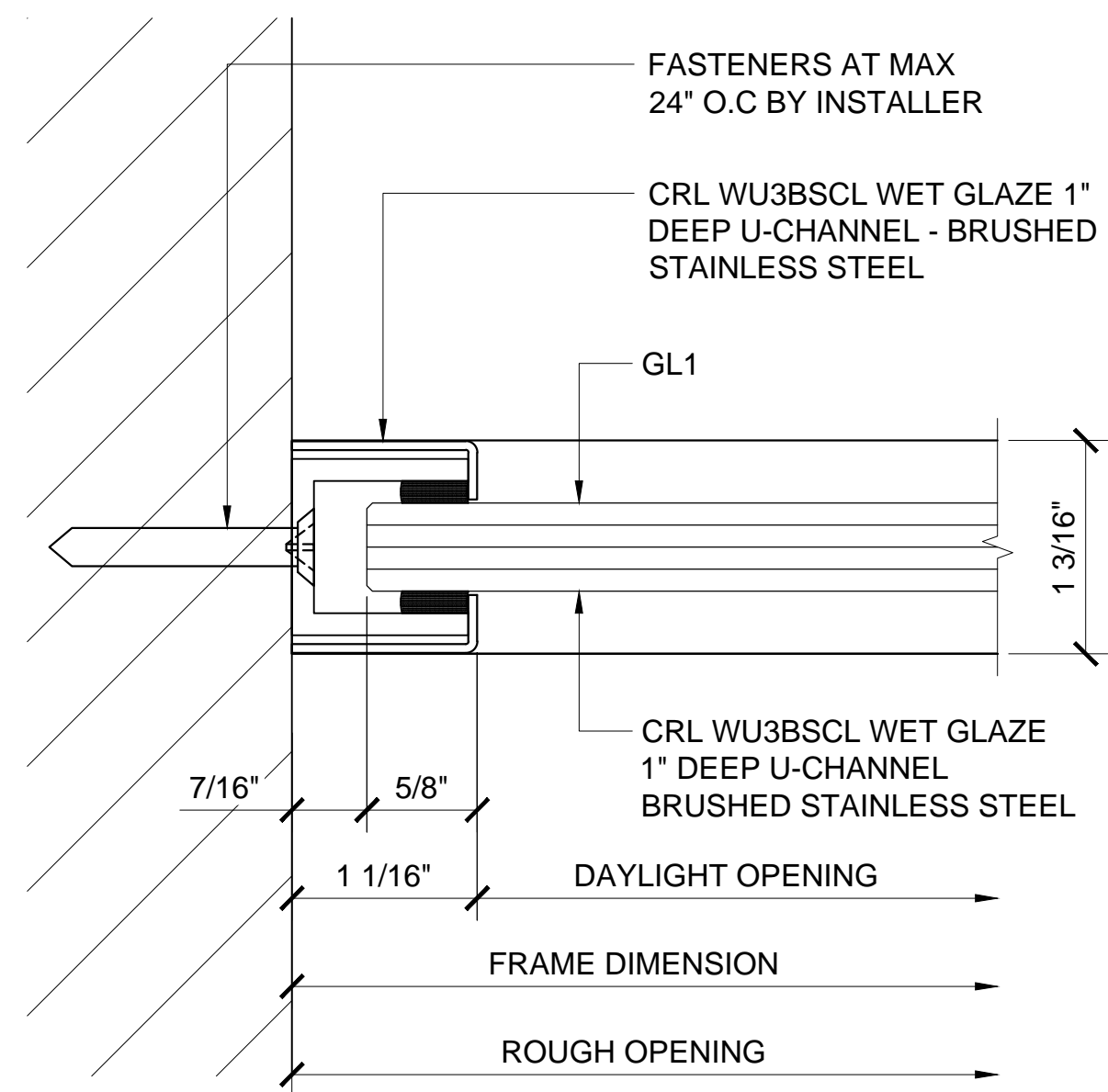
Drawn By: AAD
 Date: 10/21/15
 Scale: AS NOTED
 File Name: 4-1202 Series Swinging
 Double Glass Doors - W Transom &
 W Sidelites.dwg

Sheet

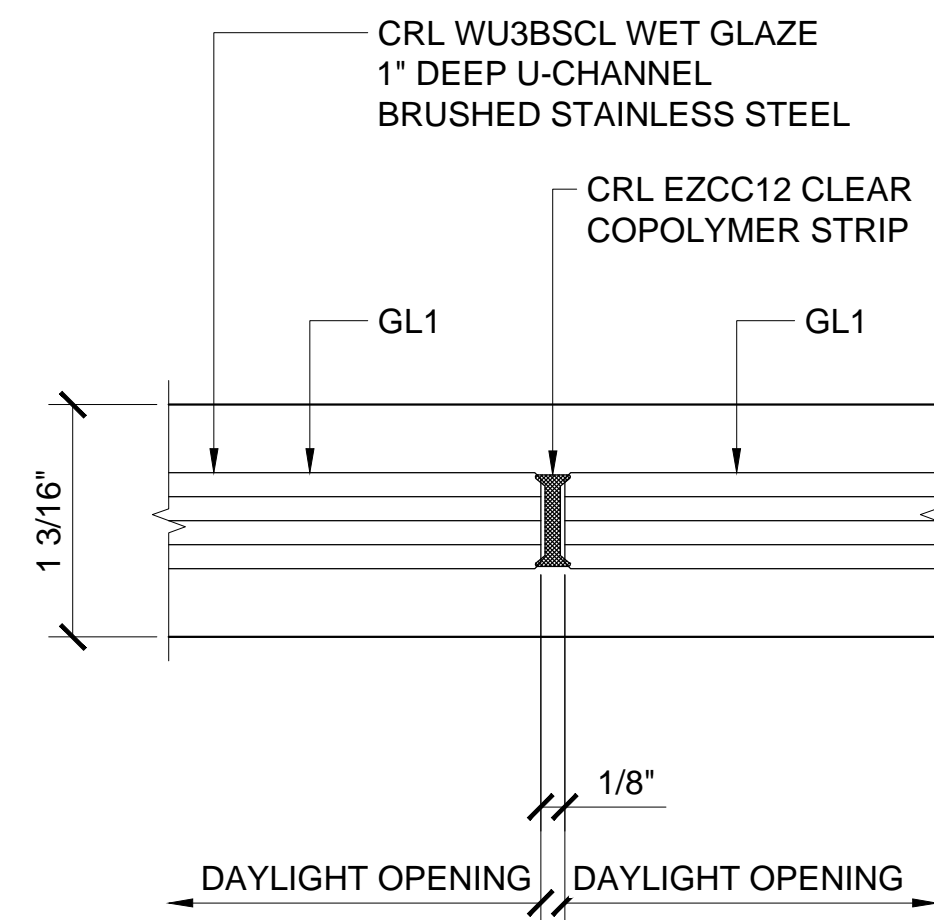
Revisions By:



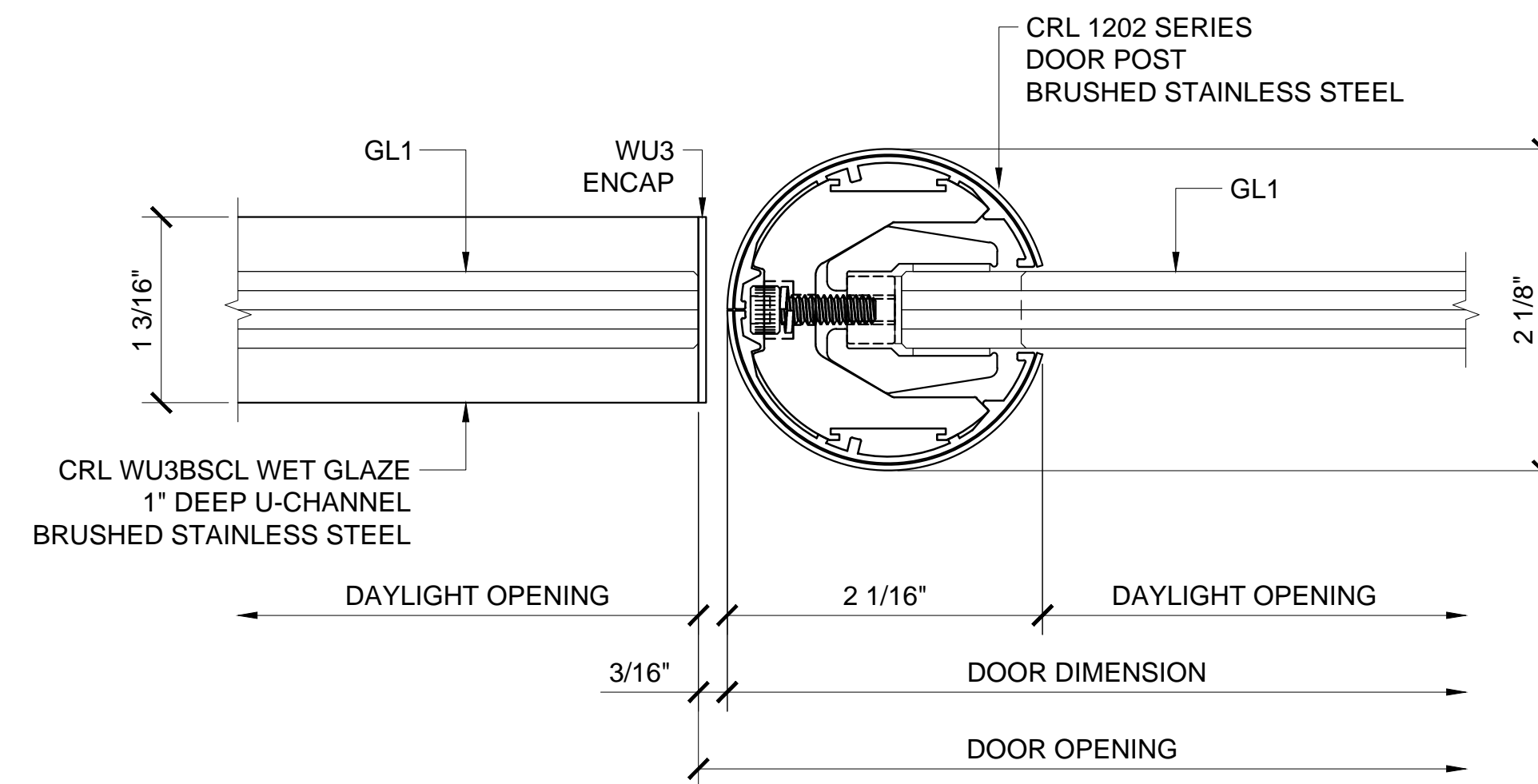
5 TRANSOM POST SECTION DETAIL
 ARCH REF: 1'-0"=1'-0"



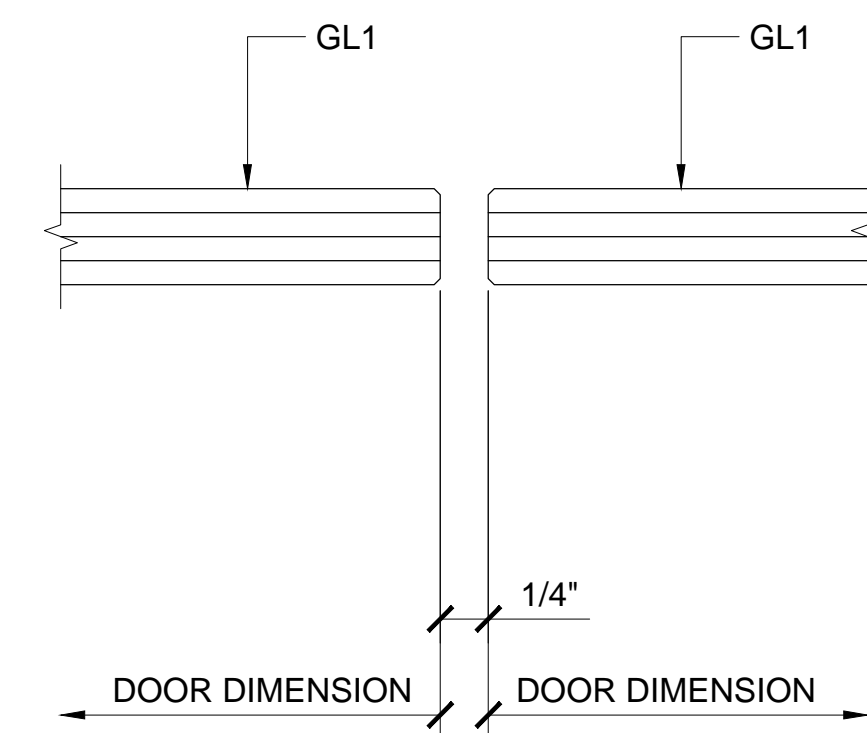
1 WALL JAMB DETAIL
 ARCH REF: 1'-0"=1'-0"



2 GLASS JOINT
 ARCH REF: 1'-0"=1'-0"



3 DOOR PIVOT POST SECTION DETAIL
 ARCH REF: 1'-0"=1'-0"



4 MEETING STILES
 ARCH REF: 1'-0"=1'-0"

Description:
 1202 SERIES SWINGING
 DOUBLE GLASS DOORS
 W/ TRANSOM & W/ SIDELITES
 ON TWO SIDES

Drawn By: AAD
 Date: 10/21/15
 Scale: AS NOTED
 File Name: 6-1202 Series Swinging
 Double Glass Doors - W Transom &
 W Sidelites.dwg

Sheet