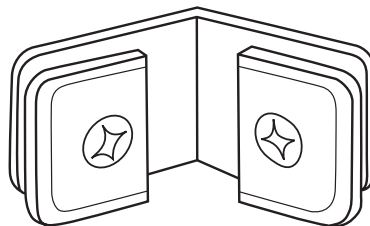


FRONT VIEW



REAR VIEW

Specifications:

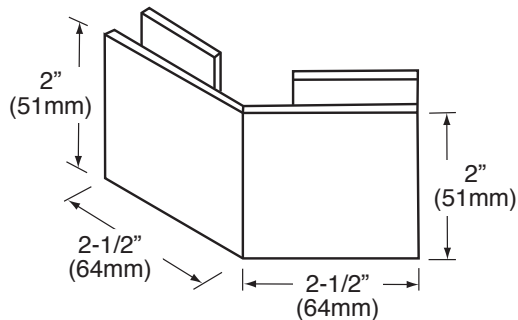
Material: Solid brass
 Glass Thickness Range: 3/8"(10mm) to 1/2"(12mm)
 Hole Size Required: 3/4" (19mm)
 Includes: Mounting screws and gaskets

Template Shown on Next Page

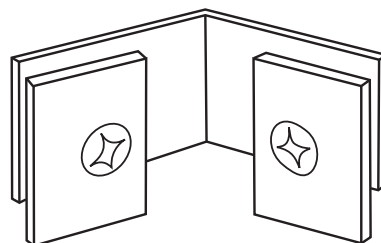
HEAVY DUTY GLASS CLAMPS

Beveled 135° Glass Clamp

CAT. NO. BGC135



FRONT VIEW



REAR VIEW

Specifications:

Material: Solid brass
 Glass Thickness Range: 3/8"(10mm) to 1/2"(12mm)
 Hole Size Required: 3/4" (19mm)
 Includes: Mounting screws and gaskets

Template Shown on Next Page

HEAVY DUTY GLASS CLAMPS

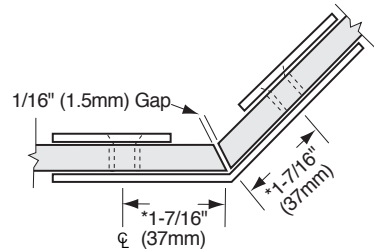
Square 135° Glass Clamp

CAT. NO. SGC135

***NOTE:** Do not exceed either maximum weight or width when choosing proper quantity of hinges.

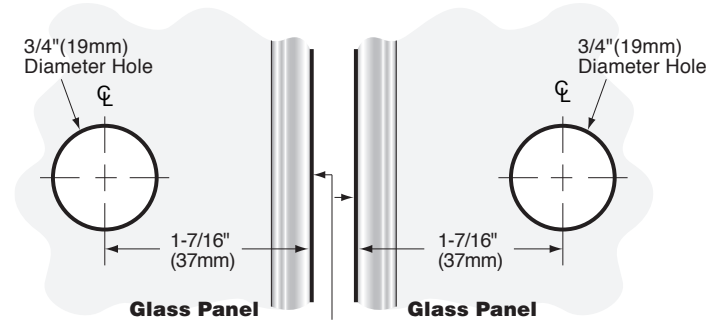
IMPORTANT: Project measurements from the edge of the glass.

TYPICAL INSTALLATION

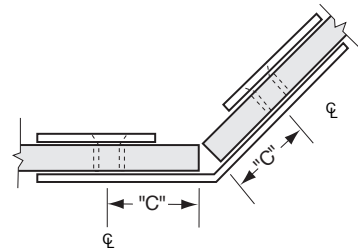


*From the Outside Edge of Miter

TEMPLATE OPTION FOR 22-1/2° MITERED GLASS

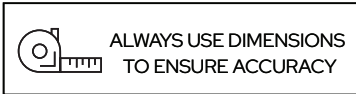
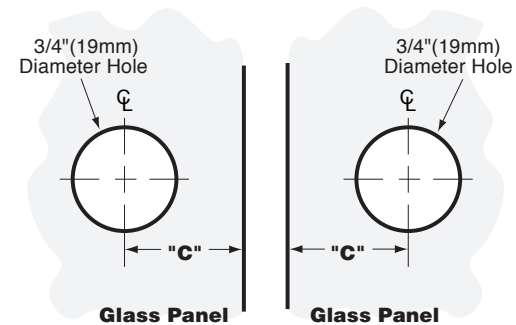


TYPICAL INSTALLATION



Glass Thickness	"C" Measurement
3/8" (10mm)	1-5/16" (33mm)
1/2" (12mm)	1-1/4" (32mm)

TEMPLATE FOR SQUARE CUT GLASS



GLASS CLAMPS

The Template Options on this Page Apply to the Following Clamps:

Beveled 135° Glass Clamp | Square 135° Glass Clamp

CAT. NO. BGC135 | CAT. NO. SGC135