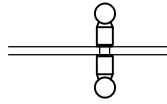
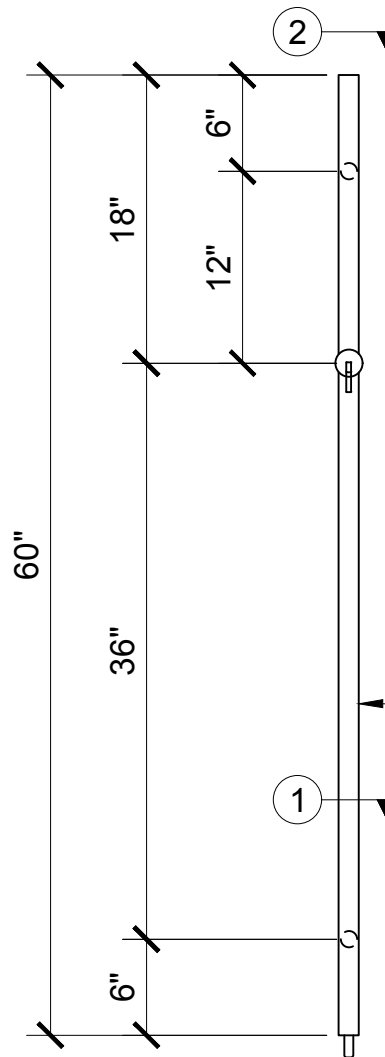


SECTION AT LOCK HOUSING

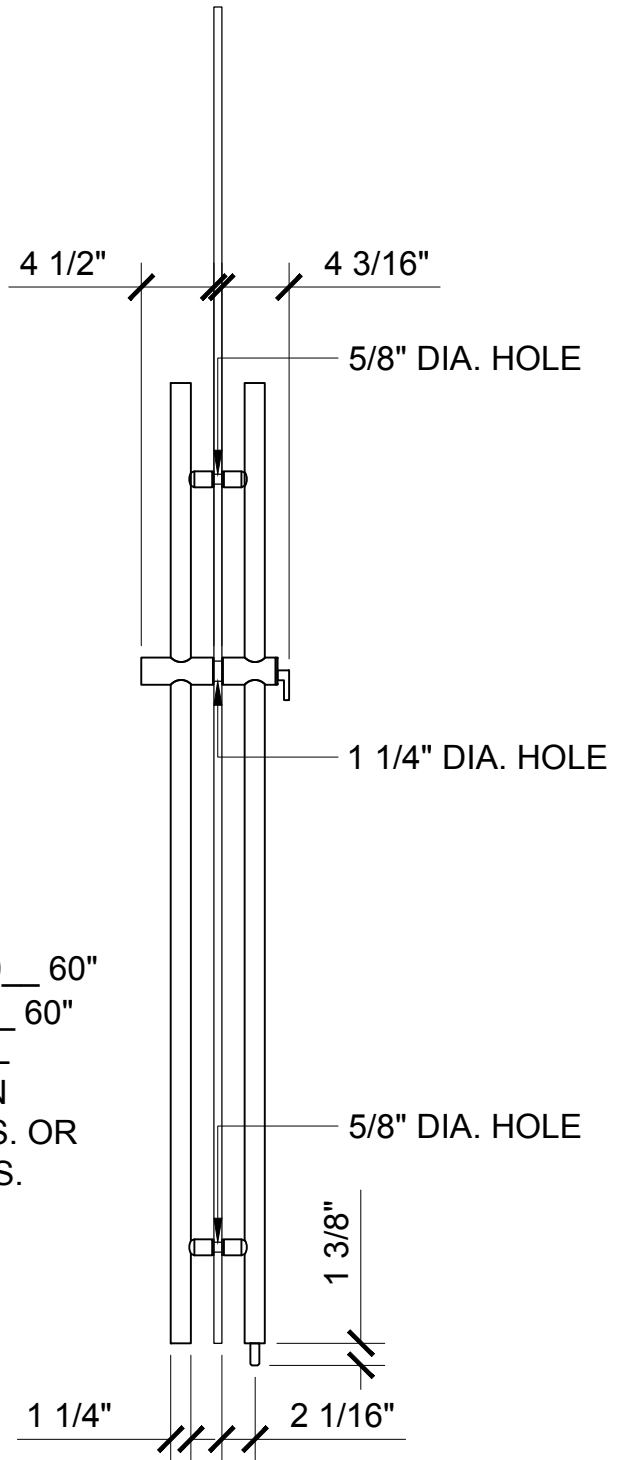


SECTION AT STANDOFF



CRL DLLPA60__ 60"
 CRL LLPA60__ 60"
 LADDER PULL
 AVAILABLE IN
 BRUSHED S.S. OR
 POLISHED S.S.

ELEVATION



SECTION



C.R.LAURENCE CO. ARCHITECTURAL PRODUCTS
 2503 E. Vernon Avenue, Los Angeles, C.A 90058-1897
 PH (800)-421-6144 FX: 800-587-7501 www.crlaurence.com

DESCRIPTION: LLPA60_/DLLPA60_

DATE: 8/20/14
 SCALE: 1"=1'-0"
 DRAWN BY: AAD