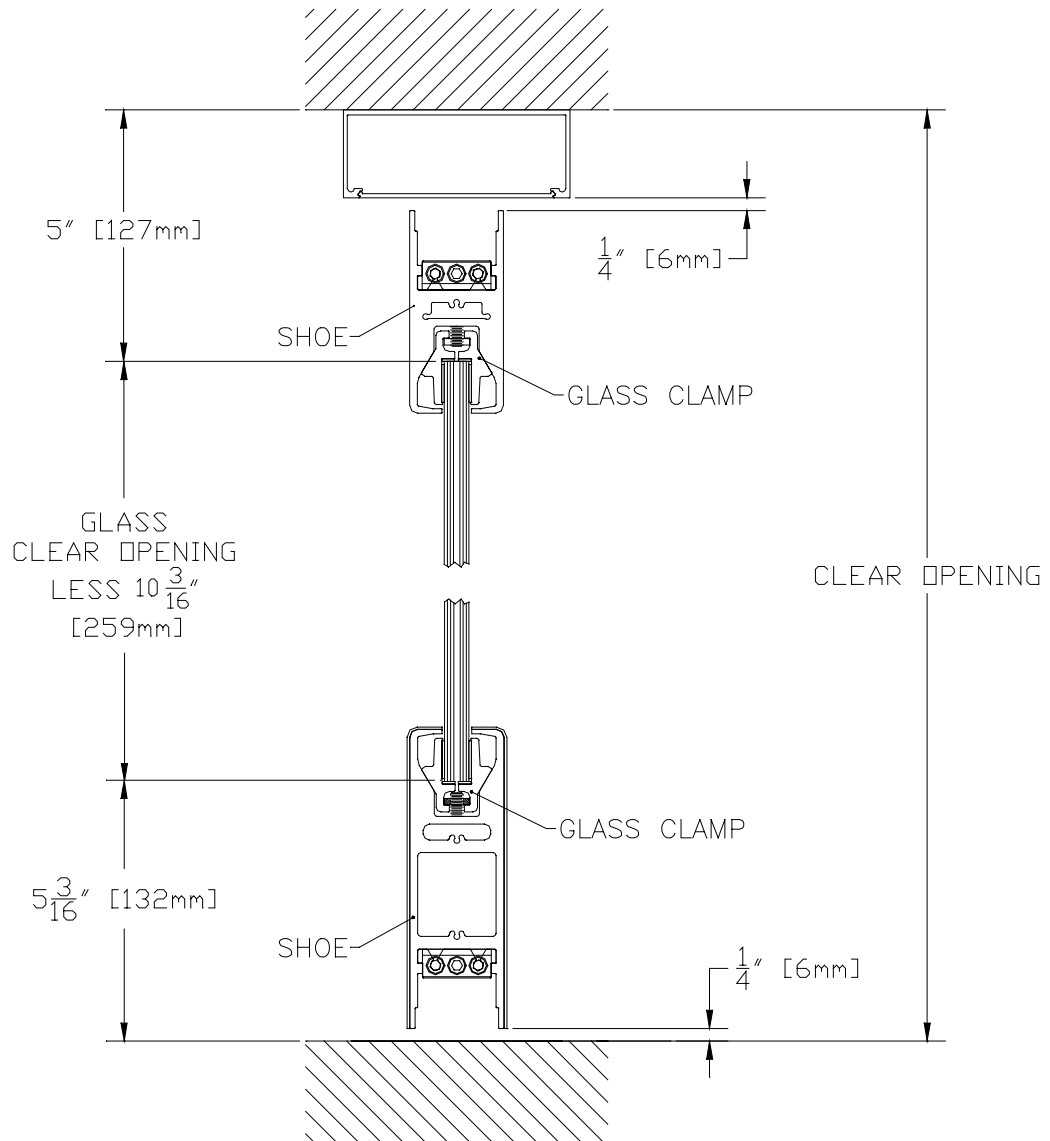


NOTES:  
 IF 1/2"[13mm] THRESHOLD IS USED,  
 THE DIMENSION FROM FLOOR TO GLASS  
 INCREASES BY 1/2"[13mm] I.E. GLASS  
 IS CLEAR OPENING LESS 10-11/16"[272mm]



4" SQUARE DOOR RAIL TOP NON CLAD  
 6" SQUARE DOOR RAIL BOTTOM CLAD ONLY  
 WITH NON CLAD HEADER

**CRL DOOR RAIL SYSTEM**

**C.R. Laurence Architectural Products**

Phone Orders (800) 421-6144

Fax Orders (800) 262-3299

WWW.CRLAURENCE.COM

Patent Pending

STYLE 14