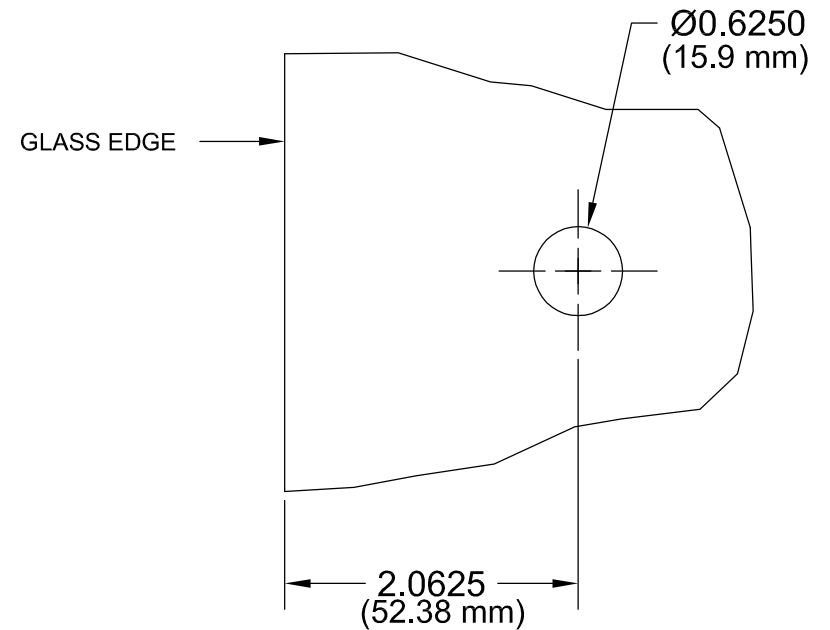
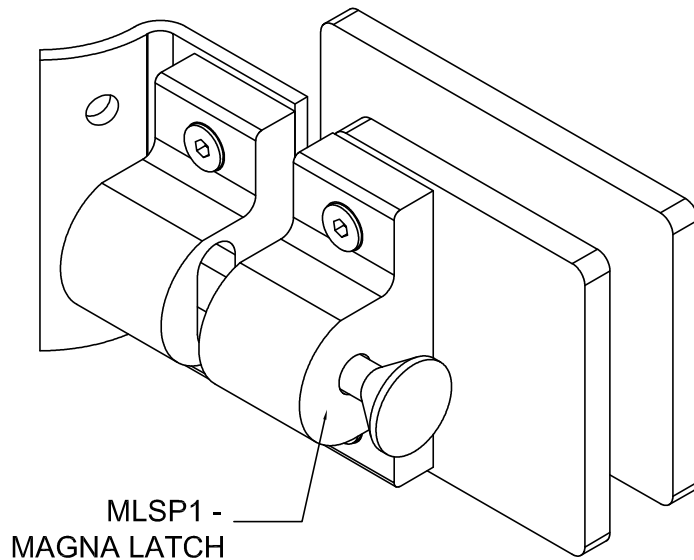
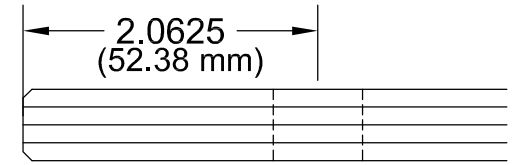
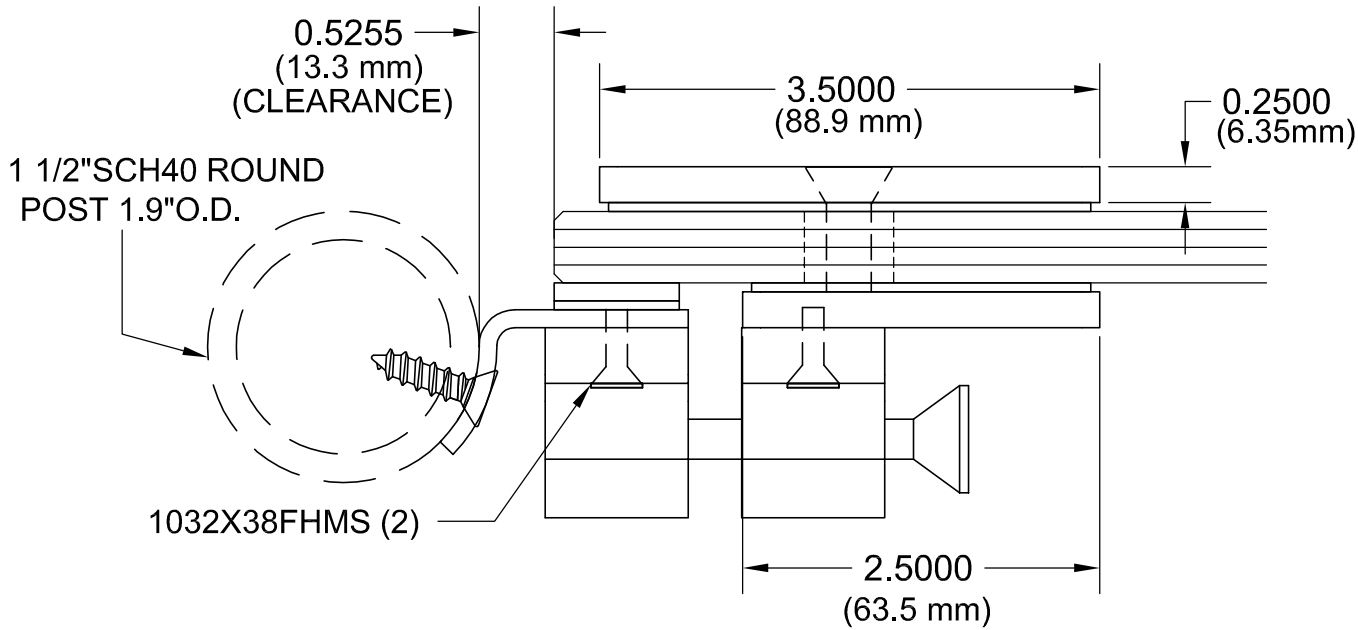


# MLSP5BS GLASS FABRICATION TEMPLATE

REV	DESCRIPTION	DATE	BY



DRAWINGS ARE NOT TO SCALE



ARCHITECTURAL PRODUCTS  
PH: 800-421-6144 FX: 800-262-3299  
WWW.CRLAURENCE.COM

DESCRIPTION:

CRL PART NUMBER MLSP5BS

Mat'l:

CAT. NO:

DATE: 07-12-07

FILE NAME: MLSP5BS

SCALE: AS SHOWN

DRAWN BY: J.V.

CHECKED BY:

SHT 1 OF 1