

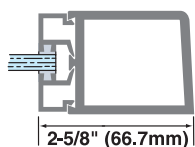
Oldcastle BuildingEnvelope™ — a market leader in Standard Entrances



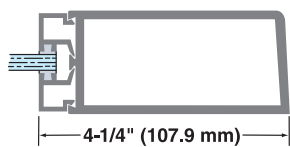
Oldcastle BuildingEnvelope™ offers standard, narrow, medium and wide stile entrances to **meet a broad range of traffic** requirements. All standard Oldcastle BuildingEnvelope™ entrances (3' wide) are ADA compliant and have built-in features.

Specifications

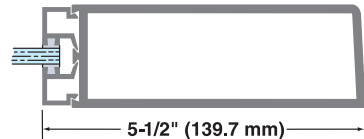
Oldcastle BuildingEnvelope™ entrances are durable and virtually maintenance free. We also offer a complete line of custom, specialty and all-glass entrances.



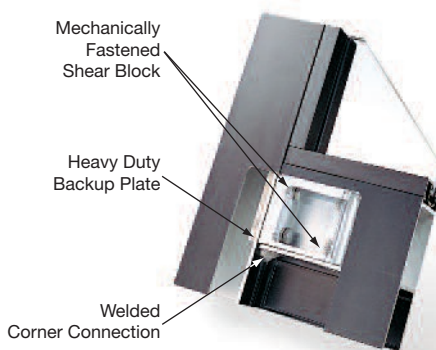
Series 212 – Narrow Stile



Series 375 – Medium Stile



Series 500 – Wide Stile



AT&T Park, San Francisco, CA
Architect: Populous (formerly HOK Sport)

Features

- Maximum security hook bolt locks
- 1" diameter push/pulls
- Adjustable astragal with dual weathering on pairs of doors
- Mechanically fastened shear blocks and welded corner construction
- Adaptable to virtually all hardware
- 4" to 10" one piece bottom rail options
- Glass stops with bulb gaskets
- 1/4", 3/8", 5/8" and 1" glazing options
- Adaptable to meet local building codes
- Limited lifetime warranty

Hardware

Oldcastle BuildingEnvelope™ employs only the finest entrance door hardware available. For more information, call 866-OLDCASTLE (653-2278) or visit www.obe.com.

