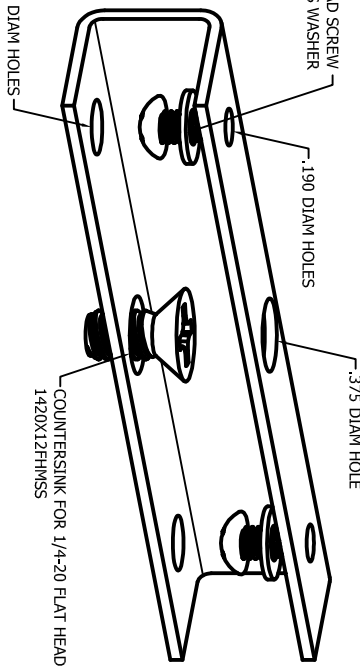
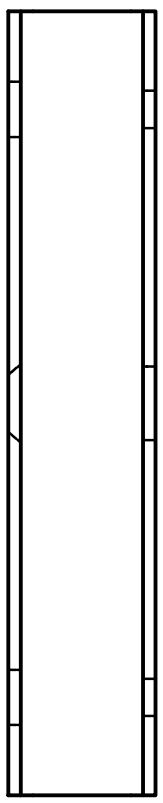
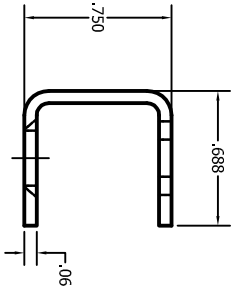
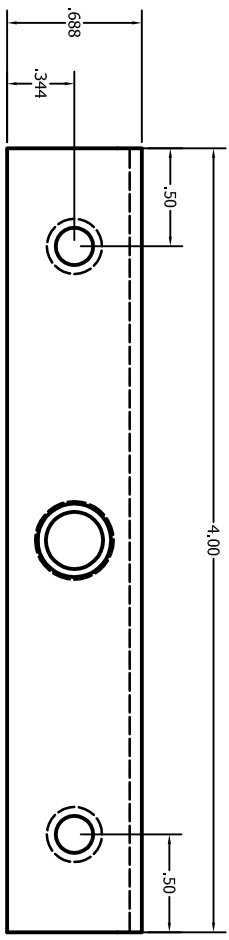


818X14PHTSS, NO. 8 PAN HEAD SCREW  
8SSW, SS WASHER  
.190 DIAM HOLES  
.375 DIAM HOLE  
.281 DIAM HOLES  
-COUNTERSINK FOR 1/4-20 FLAT HEAD  
1420X12PHHSS



HANDRAIL ADAPTER FOR LED LIGHTS  
LED51BS - BRUSHED SS  
LED51PS - POLISHED SS



UNLESS OTHERWISE SPECIFIED  
DIMENSIONS ARE IN INCHES  
TOLERANCE IS:

Frac ±  
.XX ±  
.XXX ± .015  
ANGLES ±  
RADIAL

REV.	DESCRIPTION	DATE	BY

THIS DRAWING AND THE DESIGN SHOWN THEREIN IS THE PROPERTY OF  
C.R. LAURENCE CO., INC.  
AND USE OR COPIES THEREOF CANNOT BE MADE  
WITHOUT WRITTEN CONSENT.

**CL** C.R. Laurence Co., Inc  
2100 E. 38TH STREET  
VERNON, CA 90058  
PHONE: (323) 588-1281  
FAX: (323) 232-2523

DRAWN BY: **g0** SCALE: NTS DATE: 7/13/10 PART NUMBER: LED51

PART: HR BRACKET ADAPTER FOR LED

NOTE: DRAWING NUMBER LED51