

Specifications:

Material:	Solid brass
Glass Thickness Range:	3/8"(10mm) to 1/2"(12mm)
Fabrication Required:	Notch
Includes:	Mounting Screws and Gaskets

Template Shown on Next Page

GLASS CLAMPS

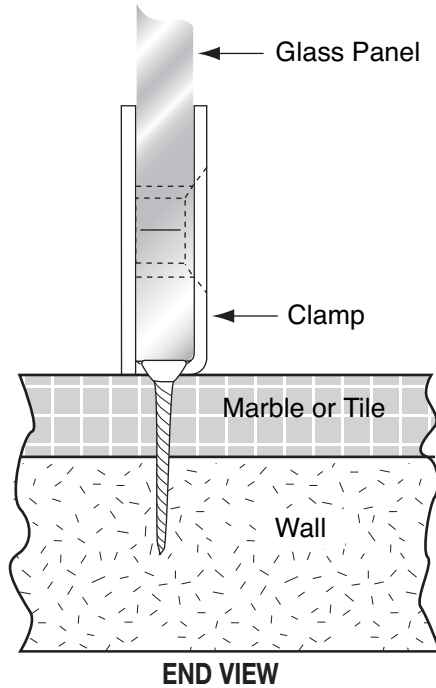
Beveled Wall Mount Clamp | Square Wall Mount Clamp

CAT. NO. BGPU1 | CAT. NO. SGPU1

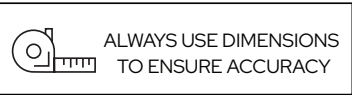
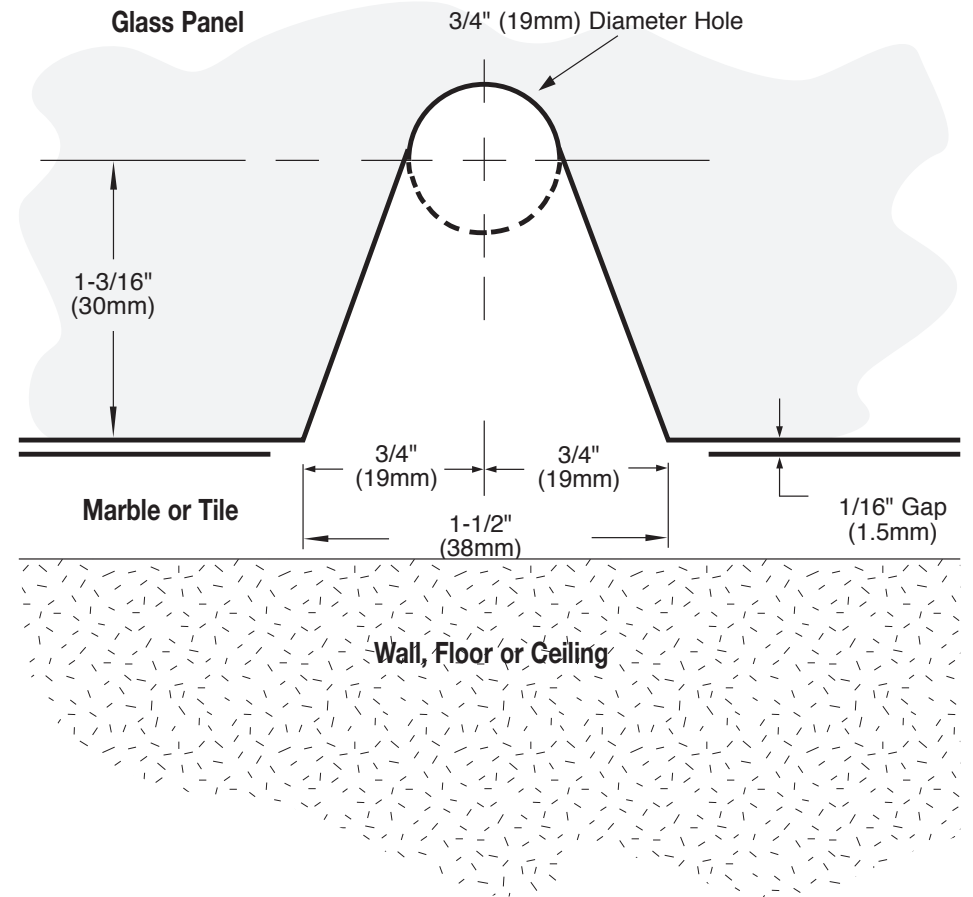
***NOTE:** Do not exceed either maximum weight or width when choosing proper quantity of hinges.

IMPORTANT: Project measurements from the edge of the glass.

TYPICAL INSTALLATION



TEMPLATE



GLASS CLAMPS

Beveled Wall Mount Clamp | Square Wall Mount Clamp
 CAT. NO. BGCU1 | CAT. NO. SGCU1