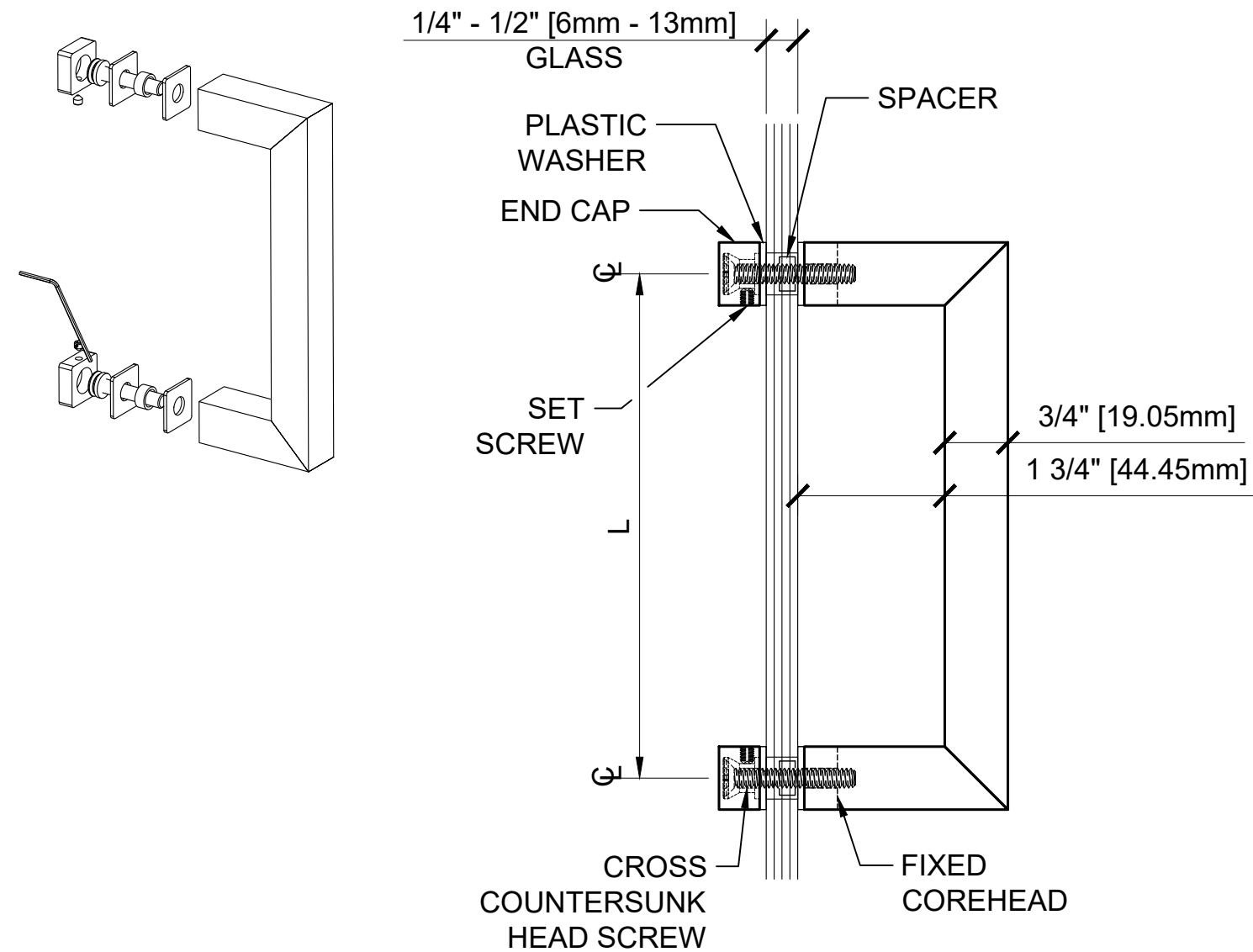


**3/4" (19mm) Square Brass Tubing**  
**Glass Thickness Range: 1/4" to 1/2" (6mm to 13mm)**  
**Hole Diameter Required: 1/2" (13mm) (2)**



| PART NUMBER | FINISH            | LENGTH    |
|-------------|-------------------|-----------|
| SQ18CH      | POLISHED CHROME   | 18" 457mm |
| SQ18BR      | POLISHED BRASS    | 18" 457mm |
| SQ18ORB     | OIL RUBBED BRONZE | 18" 457mm |
| SQ18BN      | BRUSHED NICKEL    | 18" 457mm |
| SQ18MBL     | MATTE BLACK       | 18" 457mm |
| SQ18PN      | POLISHED NICKEL   | 18" 457mm |
| SQ18SC      | SATIN CHROME      | 18" 457mm |
| SQ18SN      | SATIN NICKEL      | 18" 457mm |
| SQ18W       | WHITE             | 18" 457mm |
| SQ24CH      | POLISHED CHROME   | 24" 610mm |
| SQ24BR      | POLISHED BRASS    | 24" 610mm |
| SQ24ORB     | OIL RUBBED BRONZE | 24" 610mm |
| SQ24BN      | BRUSHED NICKEL    | 24" 610mm |
| SQ24MBL     | MATTE BLACK       | 24" 610mm |
| SQ24PN      | POLISHED NICKEL   | 24" 610mm |
| SQ24SC      | SATIN CHROME      | 24" 610mm |
| SQ24SN      | SATIN NICKEL      | 24" 610mm |
| SQ24W       | WHITE             | 24" 610mm |



C.R. LAURENCE CO. ARCHITECTURAL PRODUCTS  
 2503 E. Vernon Avenue, Los Angeles, C.A. 90058-1897  
 PH (800)-421-6144 FX: 800-587-7501 www.crlaurence.com

DESCRIPTION:  
**CRL SQUARE TUBING TOWEL BAR**  
 PART #:  
**SQ SERIES SINGLE**

DATE: 11/14/2018  
 SCALE: NTS  
 DRAWN BY: VM