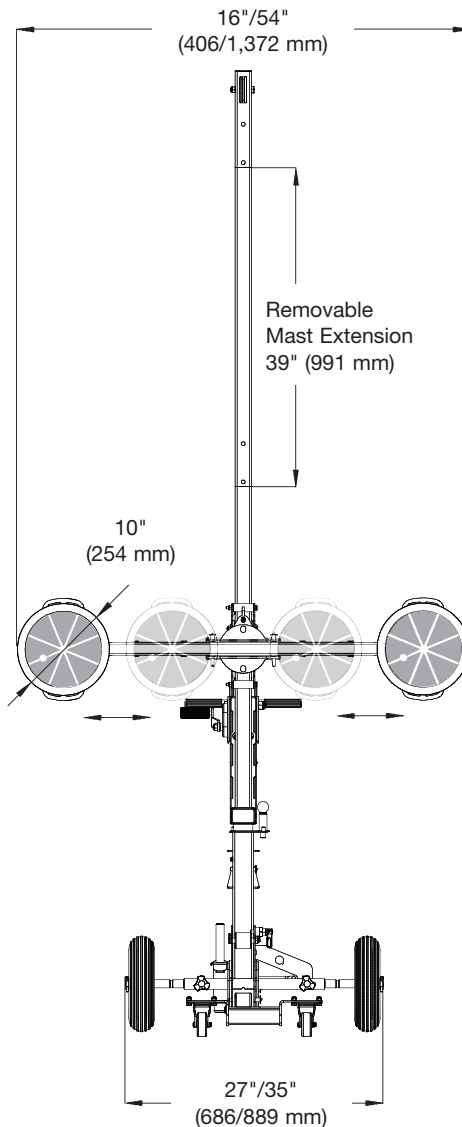
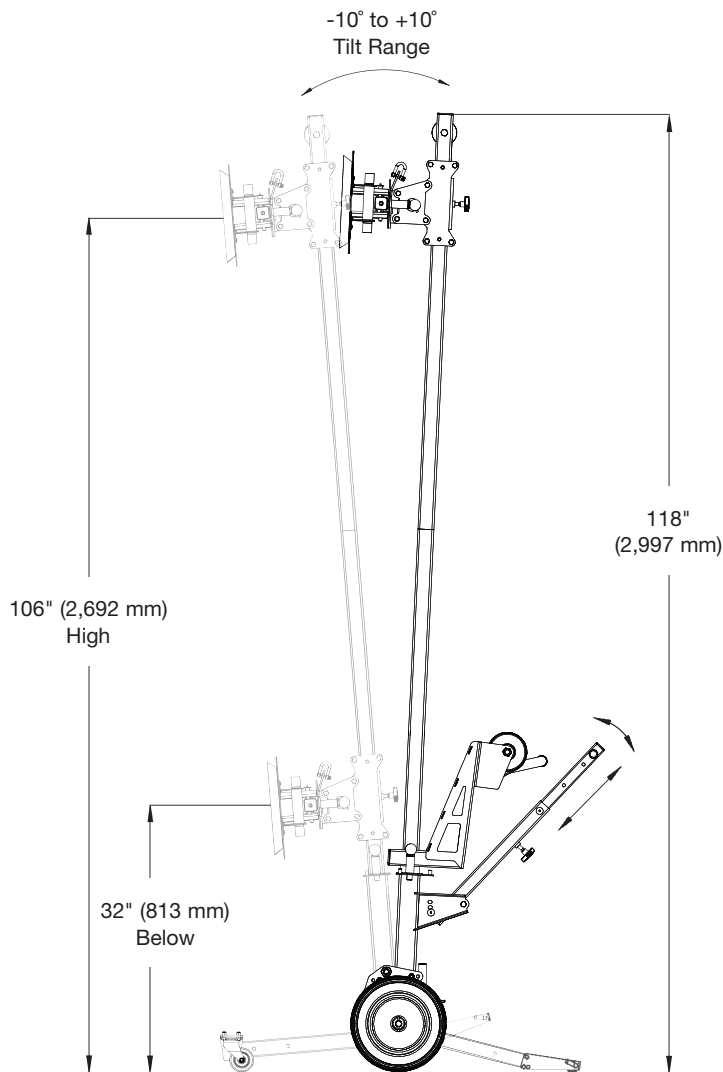


CRL ROLLING GLASS MANIPULATOR CAT. NO. RGM1

CRL TOOL
Rolling Glass Manipulator



CRL
US ALUMINUM
JULY 2018

JULY 2018
CRL
US ALUMINUM

PROPERTIES

- Capacity: 330 lbs (150 kg)
- Handles Glass to 118" x 47" (2,997 x 1,194 mm)
- Front Castors Retract for Glazing
- Vacuum Cups: 2 x 10" (254 mm) Manual
- Puncture Proof Rear 13" (330 mm) Wheels
- Pivots Glass to Side for Doorways
- Removable Mast Extension 39" (1 m)
- Machine Weight With Vacuum Cups Removed - Top Half 40 lbs (18 kg) and Bottom Half 50 lbs (22 kg)

OPTIONS

- Side Shift for Glazing
- Lower Forward Extension 20" (508 mm)
- Frame Lifter for Handling Windows
- Battery Powered Vacuum Pump

CRL TOOL
Rolling Glass Manipulator