



**Specifications:**

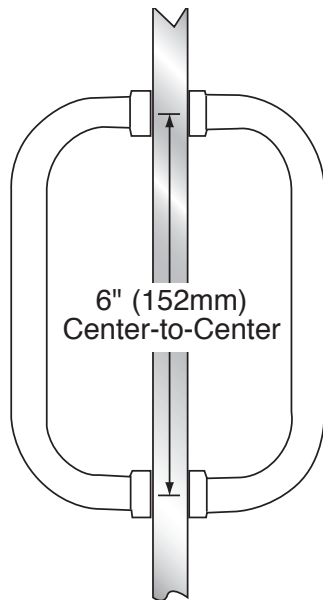
All Holes Are 1/2" (12mm) Diameter

All Measurements Are Center-To-Center

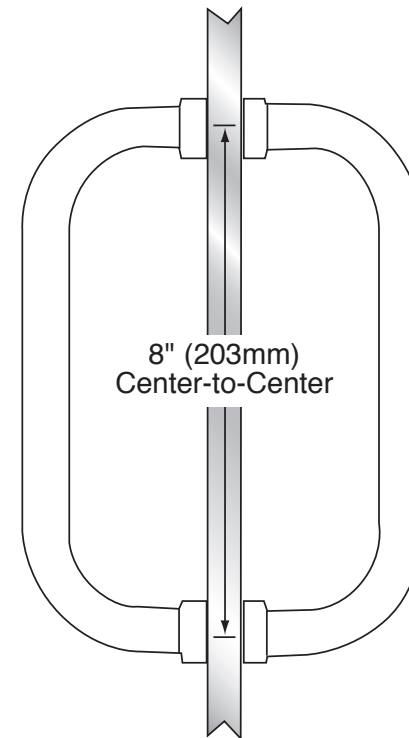
Appropriate Clear Gaskets Included

Fits 1/4" (6mm) to 1/2" (12mm) Glass

**CAT. NO. CAP6X6 (REGULAR STYLE)**



**CAT. NO. CAP8X8 (TWIST STYLE)**



**DOOR PULLS**

(Acrylic Construction)

**\*NOTE:** Do not exceed either maximum weight or width when choosing proper quantity of hinges.

For Technical Assistance in the United States and Canada 1.800.421.6144. Press 2, then option 1

C.R. Laurence Co., Inc. • 2503 E. Vernon Ave., Los Angeles, CA 90058 • 1.800.421.6144 • [crlaurence.com](http://crlaurence.com)