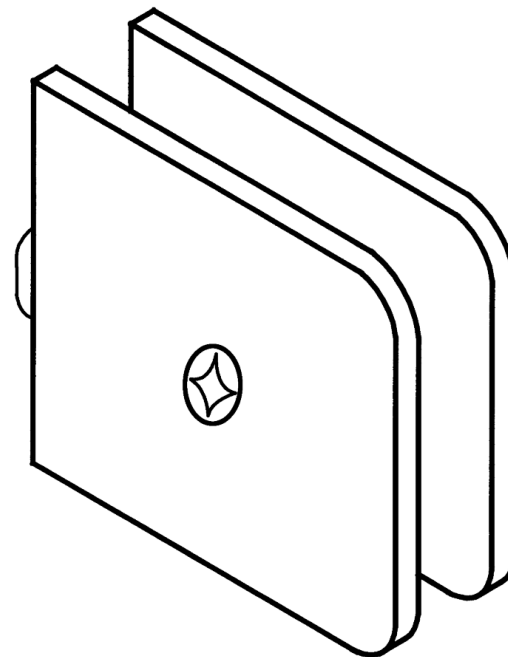


FRONT VIEW



REAR VIEW

Specifications:

Material:	Solid brass
Glass Thickness Range:	5/16" (8mm) to 1/2" (12mm)
Hole Size Required:	5/8" (16mm) or 3/4" (19mm)
Includes:	Mounting screws and gaskets

Template Shown on Next Page

GLASS CLAMPS

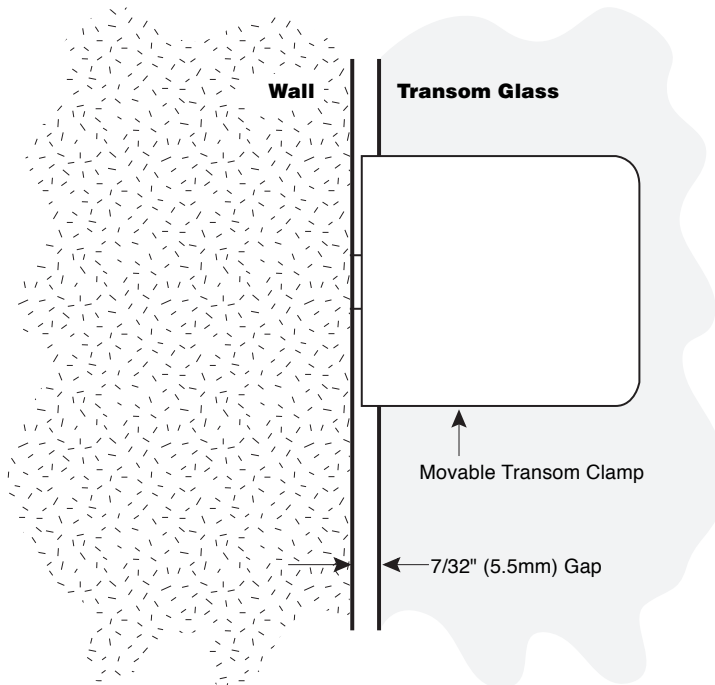
Wall Mount Movable Transom Clamp

CAT. NO. GCB186

***NOTE:** Do not exceed either maximum weight or width when choosing proper quantity of hinges.

IMPORTANT: Project measurements from the edge of the glass.

TYPICAL INSTALLATION



GLASS CLAMPS

Wall Mount Movable Transom Clamp

CAT. NO. GCB186

TEMPLATE FOR WALL TO MOVABLE TRANSOM GLASS

