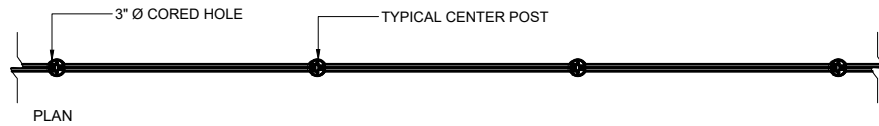
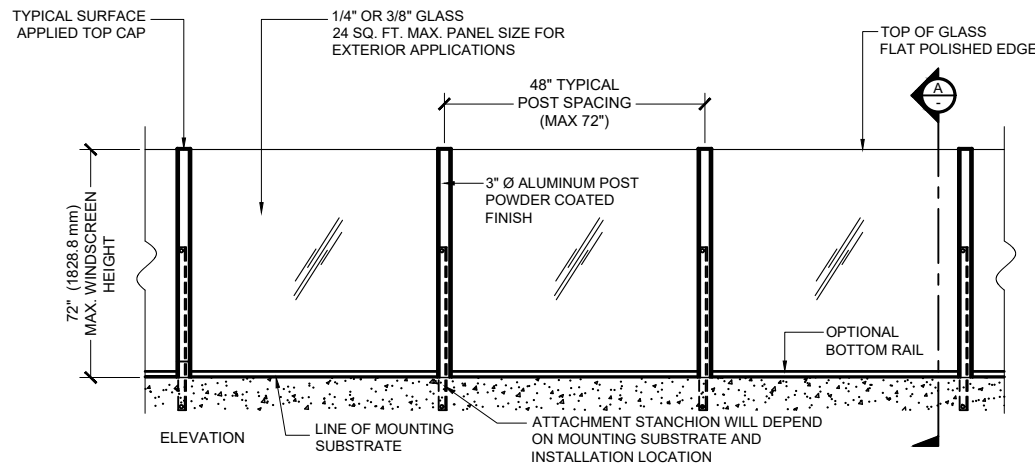
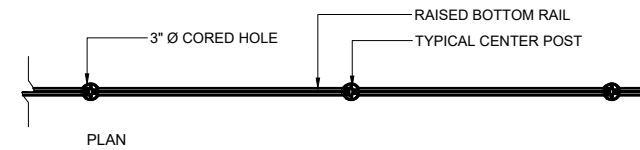
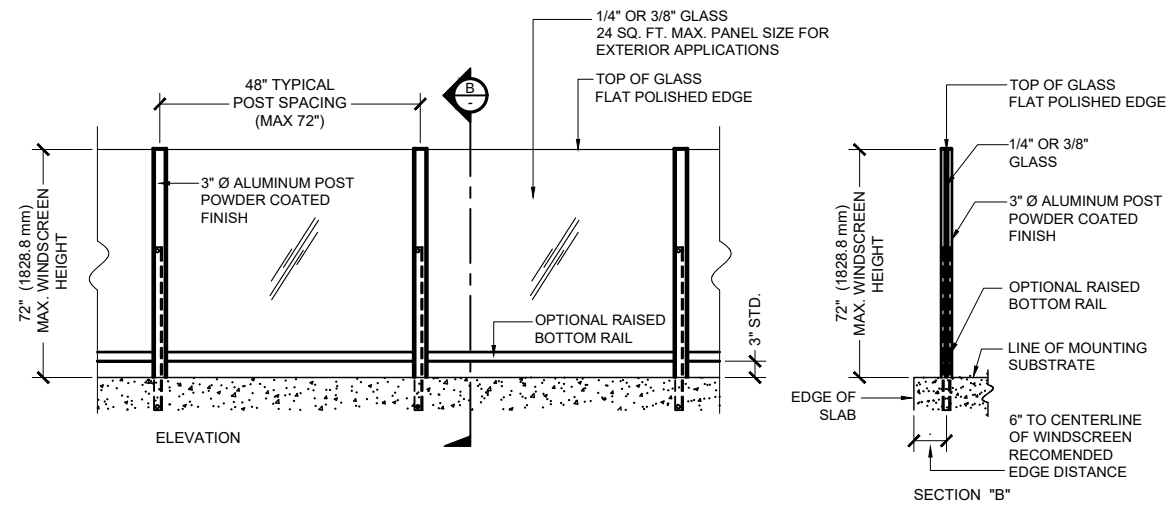
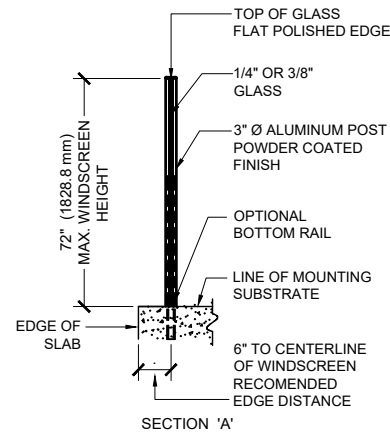


# CRL AWS - ALUMINUM WINDSCREEN SYSTEM

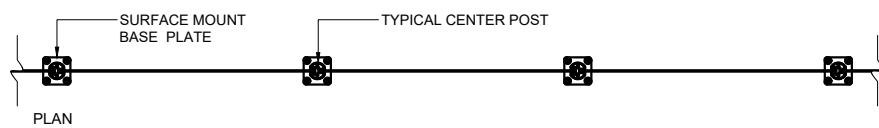
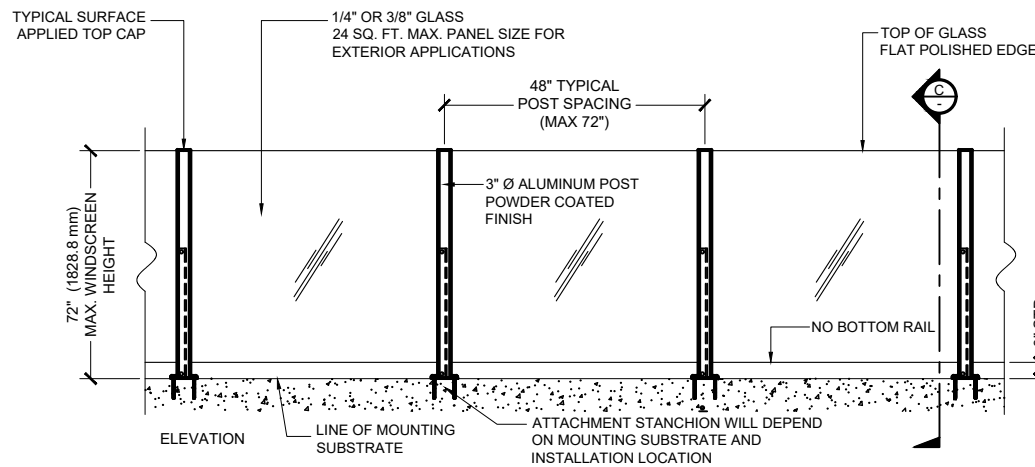
## TYPICAL PLANS & ELEVATIONS - ROUND POSTS



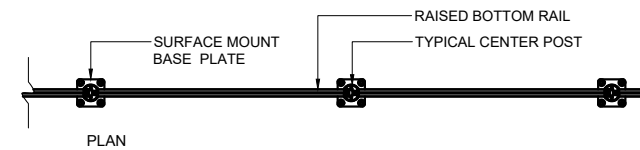
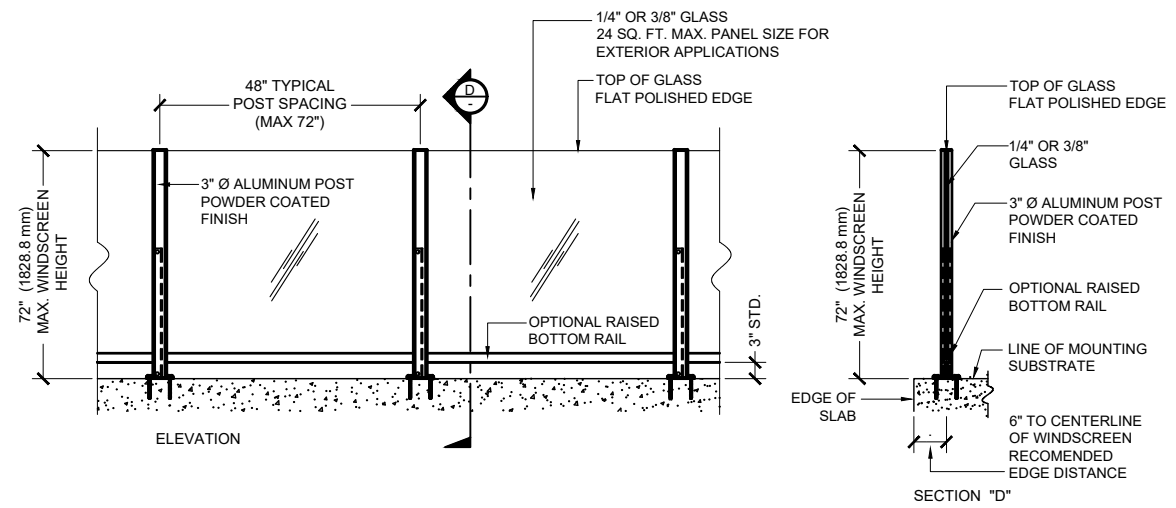
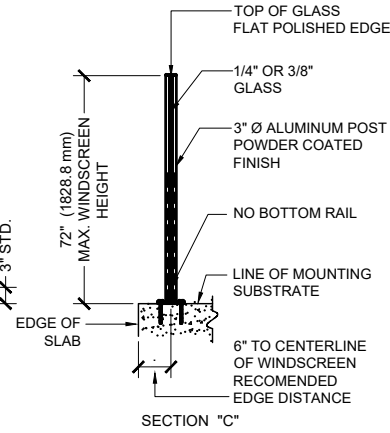
**1** TYPICAL ALUMINUM WINDSCREEN - (w/ FLOOR MOUNT BOTTOM RAIL)  
 DETAILED WITH CORE - MOUNT STANCHIONS SCALE: 3/4"=1'-0"



**2** TYPICAL ALUMINUM WINDSCREEN (w/ RAISED BOTTOM RAIL)  
 DETAILED WITH CORE - MOUNT STANCHIONS SCALE: 3/4"=1'-0"



**3** TYPICAL ALUMINUM WINDSCREEN (w/ NO BOTTOM RAIL)  
 DETAILED WITH SURFACE - MOUNT STANCHIONS SCALE: 3/4"=1'-0"



**4** TYPICAL ALUMINUM WINDSCREEN (w/ RAISED BOTTOM RAIL)  
 DETAILED WITH SURFACE - MOUNT STANCHIONS SCALE: 3/4"=1'-0"

Revisions By:

**CRL**

2603 E. Vernon Avenue, Los Angeles, CA 90058-1897  
 PH (800)-421-6144 FX (800)-587-7501 www.crlinc.com

Discription:  
 CRL / AWS  
 ALUMINUM ROUND  
 POST GLASS WINDSCREEN  
 SYSTEM

Drawn By: RPD

Date: 01/27/14

Scale: AS NOTED

File Name:

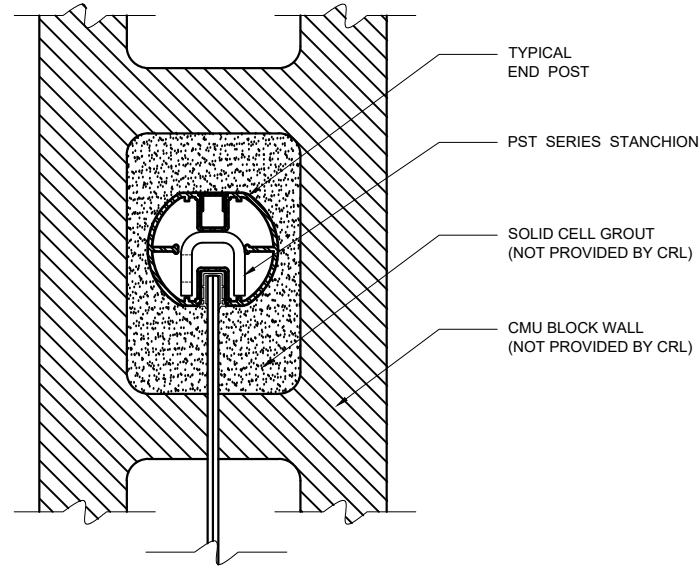
CRL-AWS-RndPGW SYS.dwg

Sheet

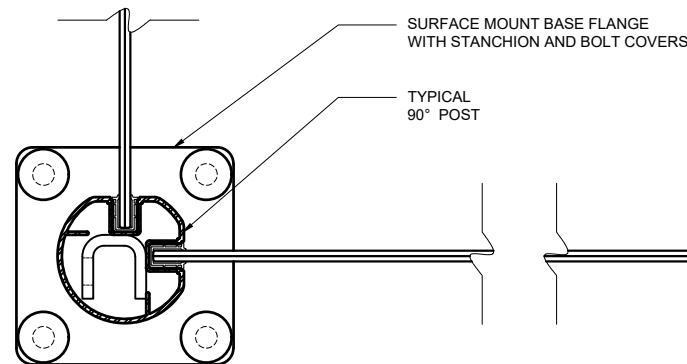
**1**

# CRL AWS - ALUMINUM WINDSCREEN SYSTEM

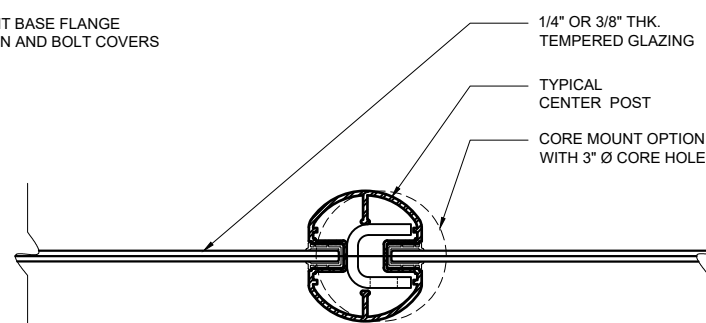
## TYPICAL AWS - DIFFERENT PLAN CONFIGURATIONS - ROUND POSTS



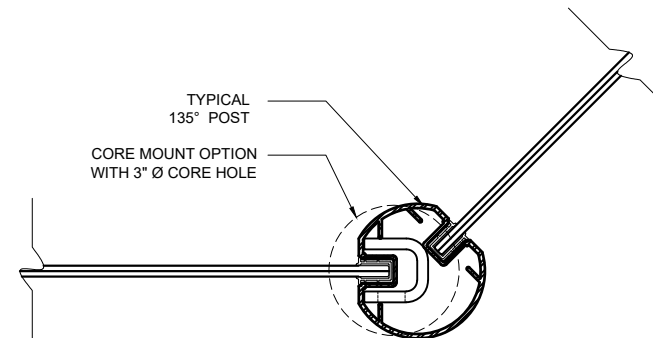
**1** CRL AWS 3" Ø ROUND 180° ALUMINUM END POST \*  
 DETAILED WITH CORE MOUNTING OPTION FOR CMU BLOCK WALL SCALE: 6"=1'-0"



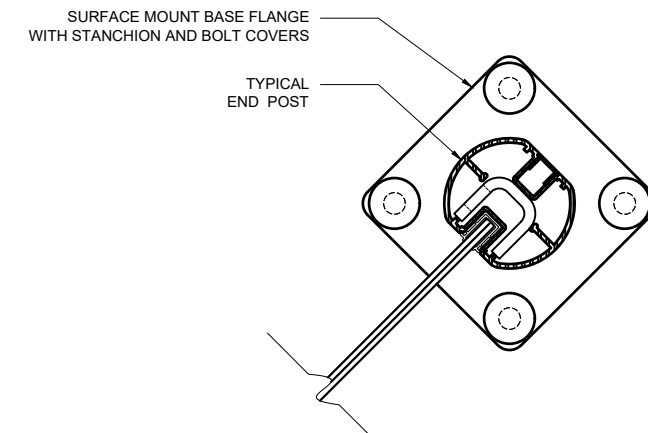
**2** CRL AWS 3" Ø ROUND 90° CORNER ALUMINUM POST \*  
 DETAILED WITH SURFACE MOUNTING OPTION SCALE: 6"=1'-0"



**3** CRL AWS 3" Ø ROUND 180° ALUMINUM CENTER POST \*  
 DETAILED WITH CORE MOUNTING OPTION FOR CONCRETE SLAB SCALE: 6"=1'-0"



**4** CRL AWS 3" Ø ROUND 135° CORNER ALUMINUM POST \*  
 DETAILED WITH CORE MOUNTING OPTION FOR CONCRETE SLAB SCALE: 6"=1'-0"



**5** CRL AWS 3" Ø 180° ALUMINUM END POST \*  
 DETAILED WITH SURFACE MOUNTING OPTION SCALE: 6"=1'-0"

\* NOTE: SEE PAGE 4 FOR DETAILS OF EACH POST MOUNTING OPTION

Revisions By:

**CRL**

2603 E. Vernon Avenue, Los Angeles, CA 90058-1897  
 PH (800)-421-6144 FX (800)-587-7501 www.crlinc.com

Description:  
 CRL / AWS  
 ALUMINUM ROUND  
 POST GLASS WINDSCREEN  
 SYSTEM

Drawn By: RPD  
 Date: 01/27/14  
 Scale: AS NOTED  
 File Name:  
 CRL-AWS-RndPGW SYS.dwg

Sheet  
**2**

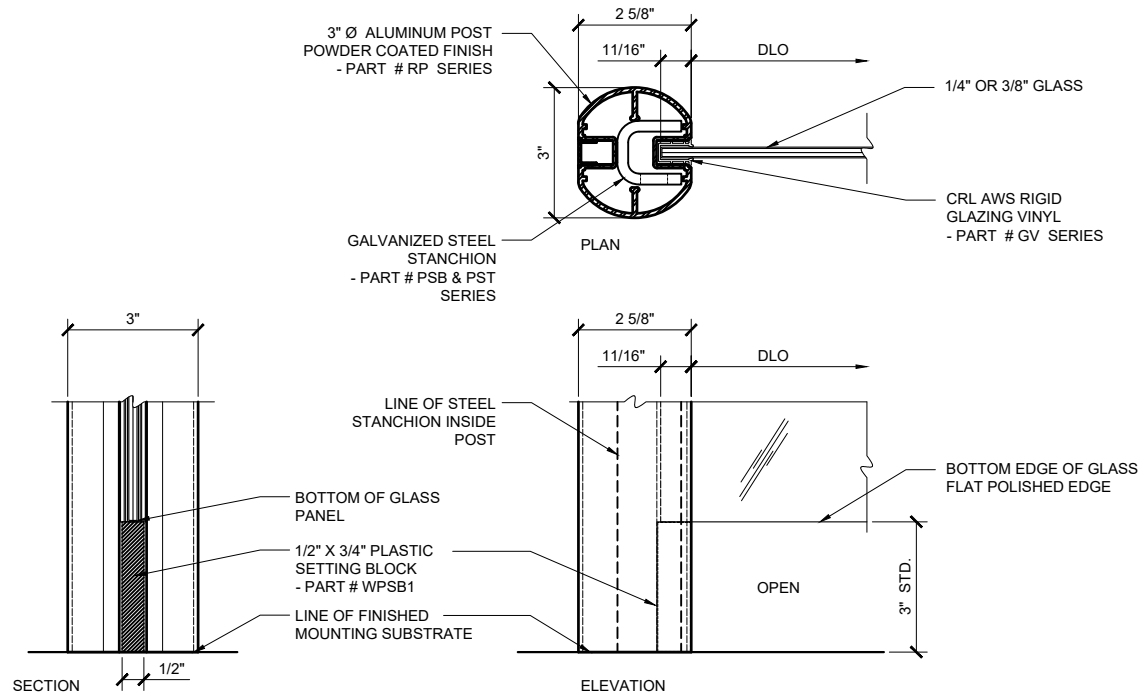
# CRL AWS - ALUMINUM WINDSCREEN SYSTEM

## TYPICAL AWS PANEL BOTTOM RAIL OPTIONS & TOP CORNER DETAILS - ROUND POSTS

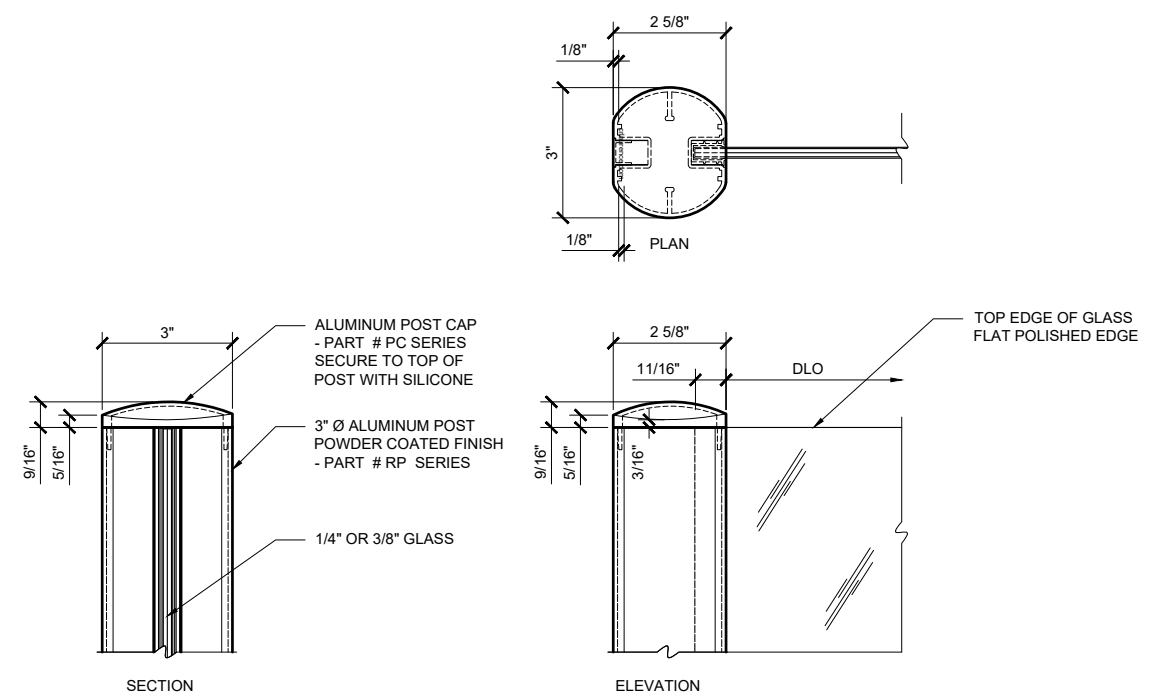
Revisions By:

# CRL

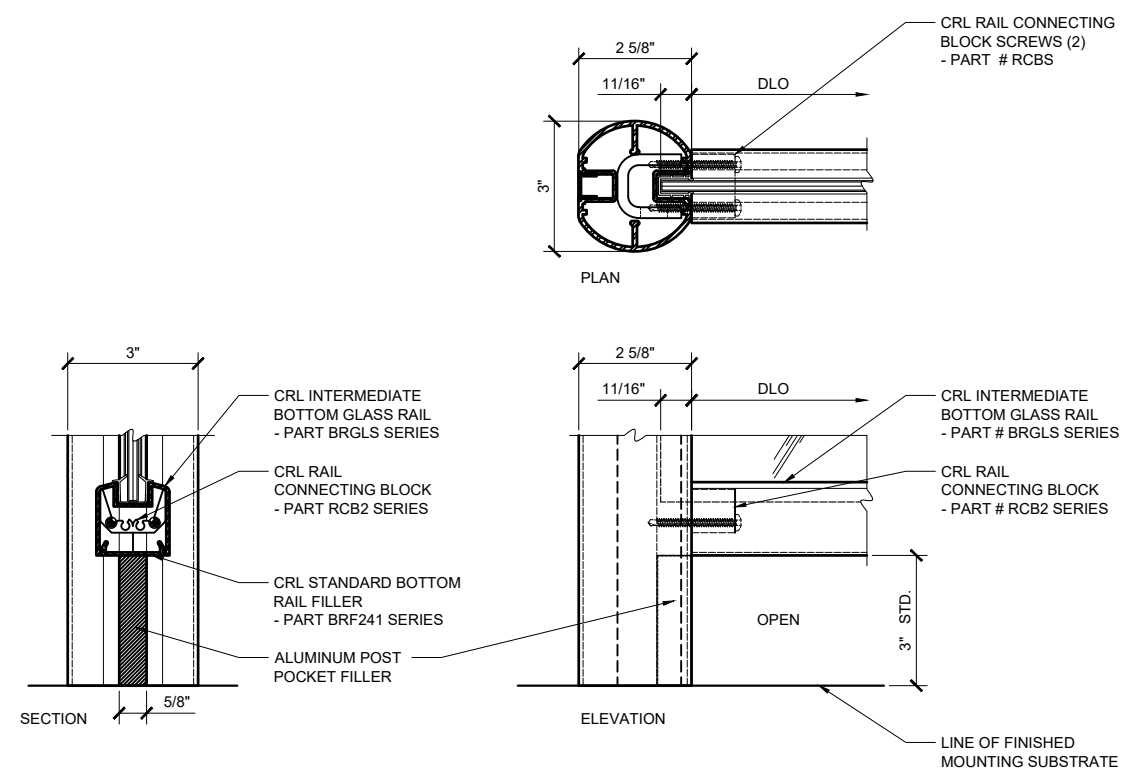
2603 E. Vernon Avenue, Los Angeles, CA 90058-1897  
PH (800)-421-6144 FX (800)-587-7501 www.crlinc.com



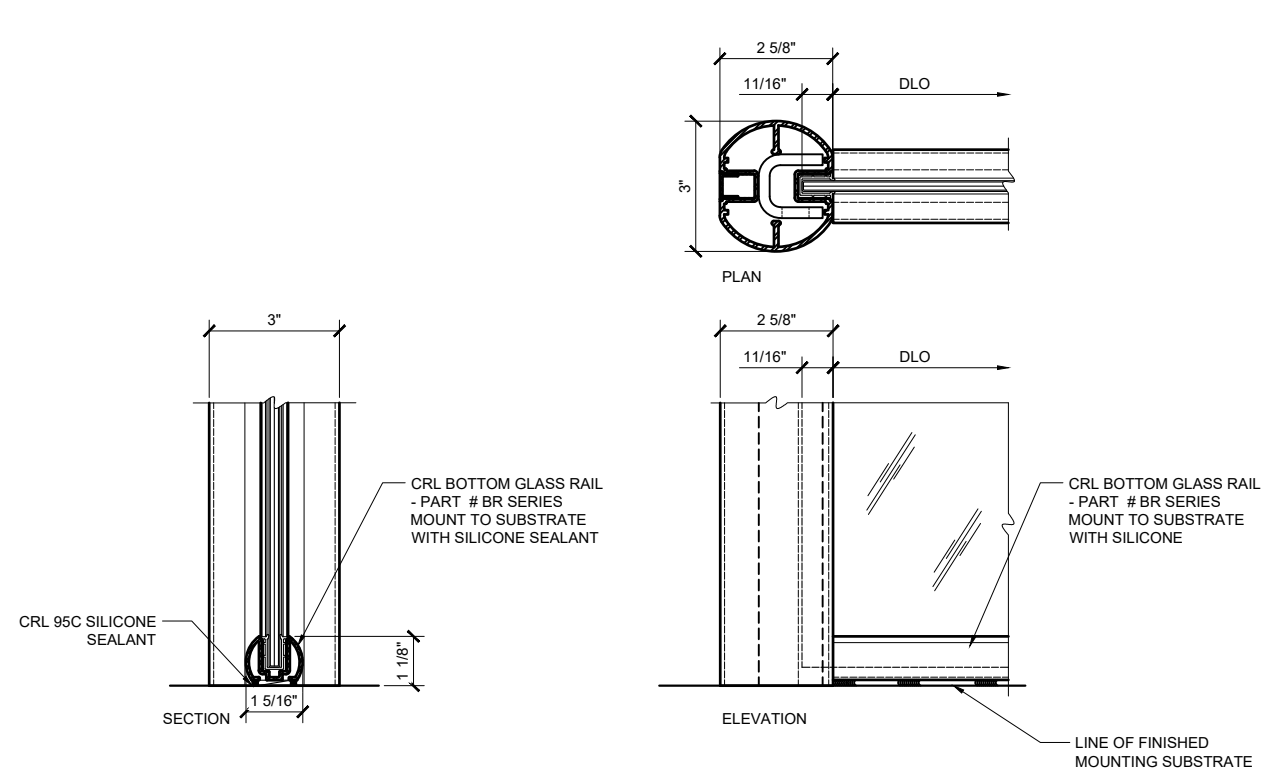
**1** DETAIL WITH NO BOTTOM GLASS RAIL  
SEE PAGE 4 FOR POST MOUNTING OPTIONS  
SCALE: 6"=1'-0"



**3** DETAIL AT TOP CORNER OF WINDSCREEN PANEL  
DETAILED WITH 3" Ø ALUMINUM ROUND POST  
SCALE: 6"=1'-0"



**2** DETAIL WITH RAISED INTERMEDIATE BOTTOM GLASS RAIL  
SEE PAGE 4 FOR POST MOUNTING OPTIONS  
SCALE: 6"=1'-0"



**4** DETAIL WITH BOTTOM GLASS RAIL  
SEE PAGE 4 FOR POST MOUNTING OPTIONS  
SCALE: 6"=1'-0"

Discription:  
CRL / AWS  
ALUMINUM ROUND  
POST GLASS WINDSCREEN  
SYSTEM

Drawn By: RPD  
Date: 01/27/14  
Scale: AS NOTED  
File Name: CRL-AWS-RndPGW SYS.dwg

# CRL AWS - ALUMINUM WINDSCREEN SYSTEM

## TYPICAL AWS POST MOUNTING OPTIONS - ROUND POSTS

Revisions By:

**CRL**

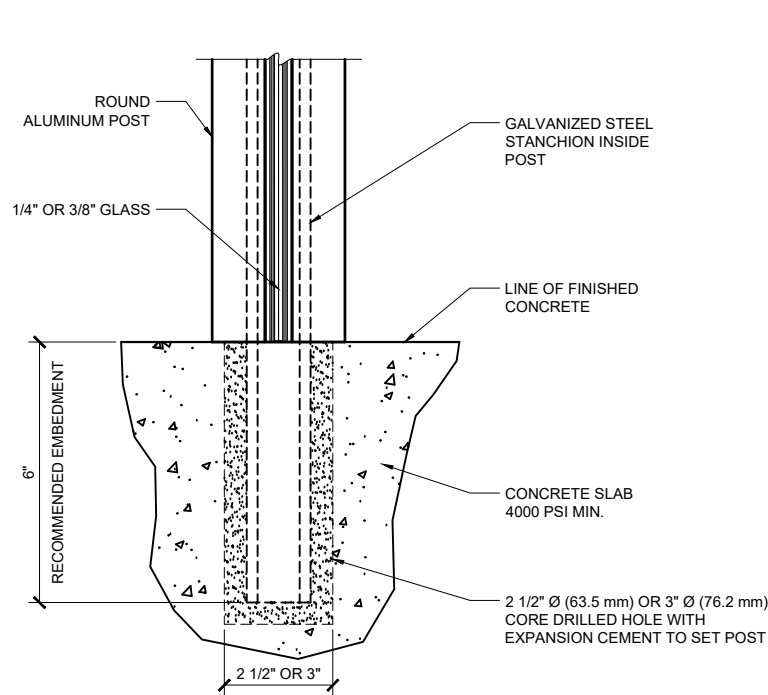
2603 E. Vernon Avenue, Los Angeles, CA 90058-1897  
PH (800)-421-6144 FX (800)-587-7501 www.crlaerco.com

Discription:  
CRL / AWS  
ALUMINUM ROUND  
POST GLASS WINDSCREEN  
SYSTEM

Drawn By: RPD  
Date: 01/27/14  
Scale: AS NOTED  
File Name:  
CRL-AWS-RndPGW SYS.dwg

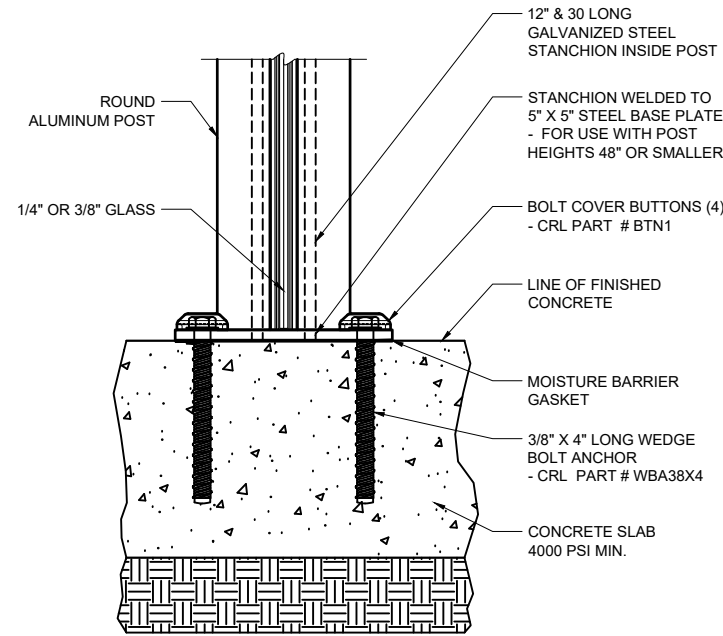
Sheet

4



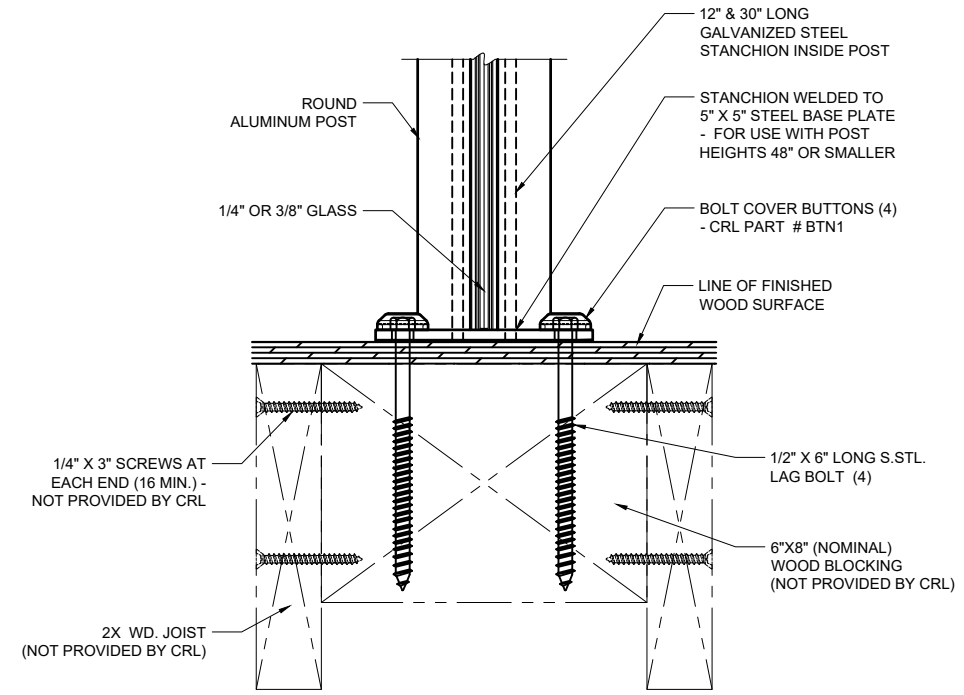
**TYPICAL CORE MOUNT DETAIL FOR CONCRETE SUBSTRATE**

1 SPACING WILL DEPEND ON MOUNTING SUBSTRATE AND REGION OF PROJECT SEE PAGE 6 FOR STANCHION LENGTHS SCALE: 6"=1'-0"



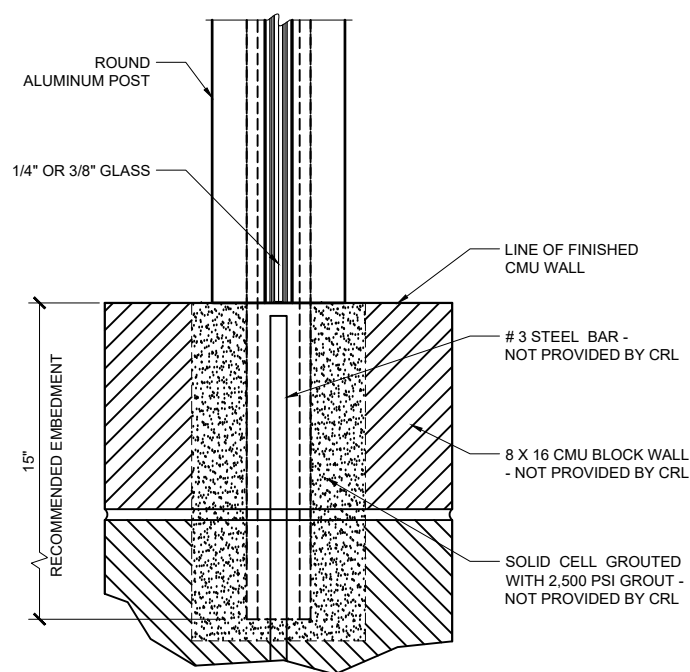
**TYPICAL SURFACE MOUNT DETAIL FOR CONCRETE SUBSTRATE**

3 SPACING WILL DEPEND ON MOUNTING SUBSTRATE AND REGION OF PROJECT SCALE: 6"=1'-0"



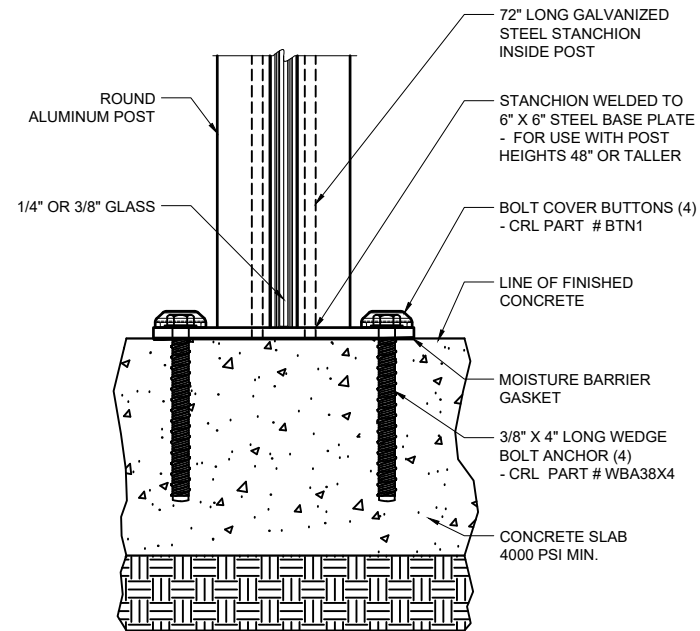
**TYPICAL SURFACE MOUNT DETAIL FOR WOOD SUBSTRATE**

5 SPACING WILL DEPEND ON MOUNTING SUBSTRATE AND REGION OF PROJECT SEE PAGE 6 FOR STANCHION LENGTHS SCALE: 6"=1'-0"



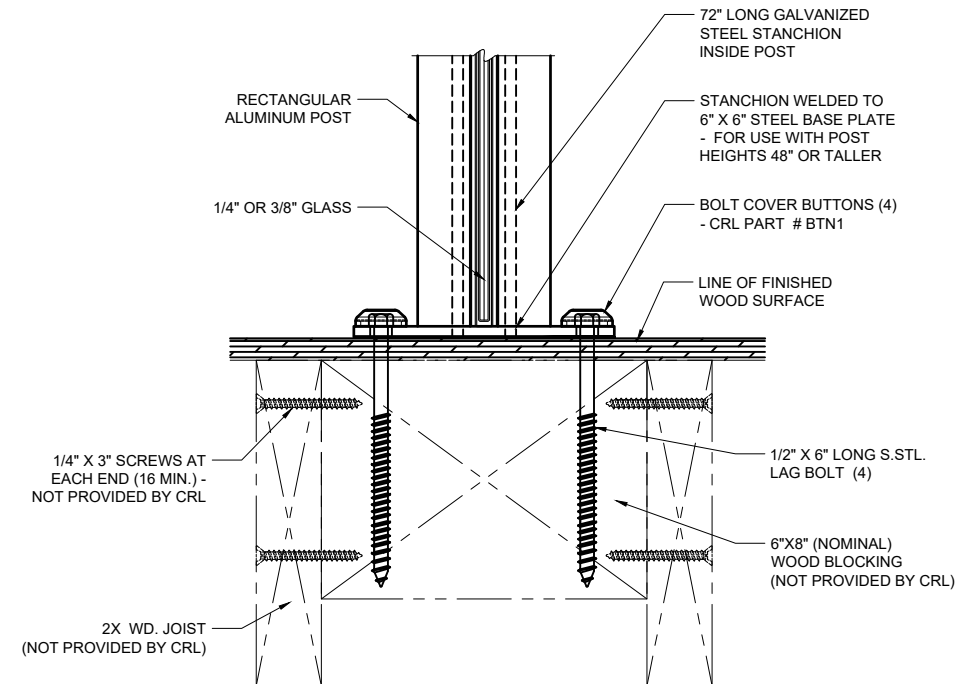
**TYPICAL CORE MOUNT DETAIL FOR CMU BLOCK WALL SUBSTRATE**

2 SPACING WILL DEPEND ON MOUNTING SUBSTRATE AND REGION OF PROJECT SEE PAGE 6 FOR STANCHION LENGTHS SCALE: 6"=1'-0"



**TYPICAL SURFACE MOUNT DETAIL FOR CONCRETE SUBSTRATE**

4 SPACING WILL DEPEND ON MOUNTING SUBSTRATE AND REGION OF PROJECT SEE PAGE 6 FOR STANCHION LENGTHS SCALE: 6"=1'-0"



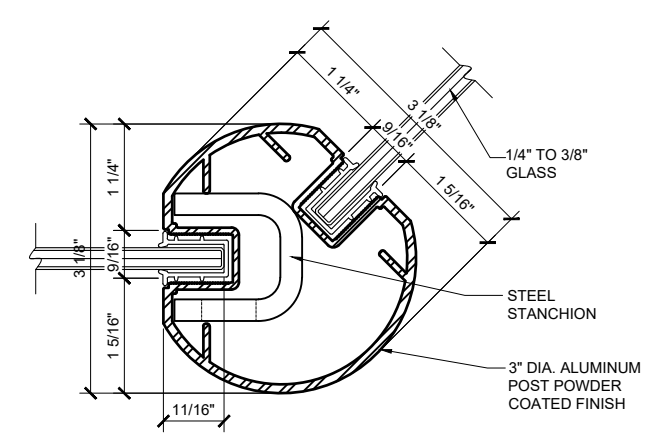
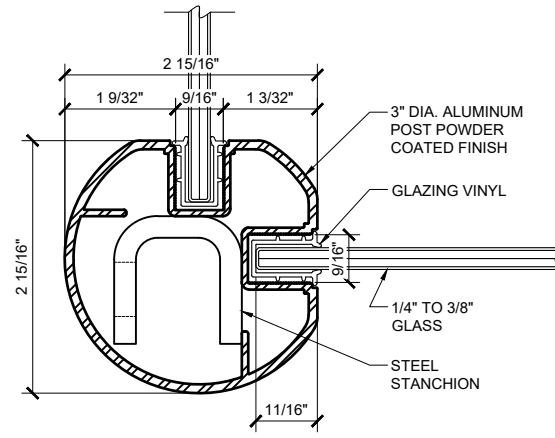
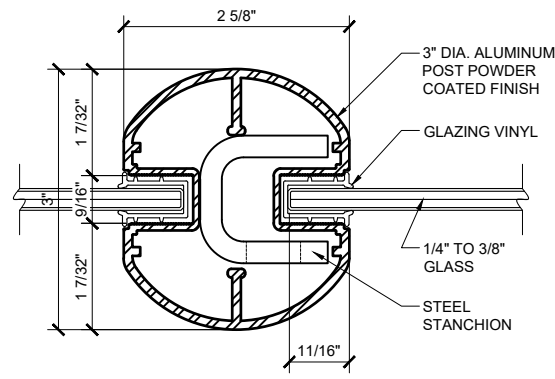
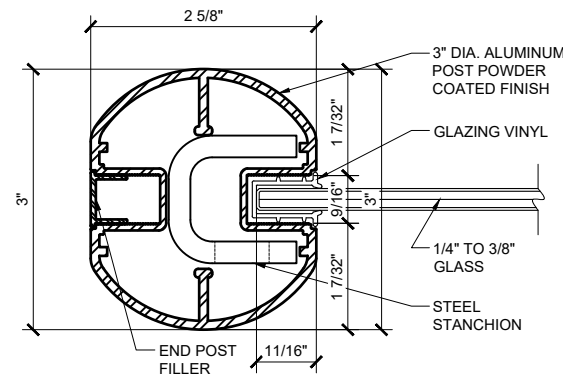
**TYPICAL SURFACE MOUNT DETAIL FOR WOOD SUBSTRATE**

6 SPACING WILL DEPEND ON MOUNTING SUBSTRATE AND REGION OF PROJECT SEE PAGE 6 FOR STANCHION LENGTHS SCALE: 6"=1'-0"

# CRL AWS - ALUMINUM WINDSCREEN SYSTEM

## AVAILABLE POST CONFIGURATIONS & ACCESSORIES FOR ROUND POSTS

\* STEEL STANCHIONS, FILLERS & KITS SOLD SEPARATELY  
 \*\* STANDARD KIT INCLUDE POST, TOP CAP, & VINYL



1 CRL AWS 3" Ø ROUND 180° END POST - ALUMINUM \*  
 SCALE: FULL SIZE

| CAT. # | LENGTH          | w/ KIT ** |
|--------|-----------------|-----------|
| RP36   | 36" (914 mm)    | R36EK     |
| RP48   | 48" (1219 mm)   | R48EK     |
| RP60   | 60" (1524 mm)   | R60EK     |
| RP72   | 72" (1829 mm)   | R72EK     |
| RP194  | 241" (6.12 m) # |           |

2 CRL AWS 3" Ø ROUND 180° CENTER POST - ALUMINUM \*  
 SCALE: FULL SIZE

| CAT. # | LENGTH          | w/ KIT ** |
|--------|-----------------|-----------|
| RP36   | 36" (914 mm)    | R36CK     |
| RP48   | 48" (1219 mm)   | R48CK     |
| RP60   | 60" (1524 mm)   | R60CK     |
| RP72   | 72" (1829 mm)   | R72CK     |
| RP194  | 241" (6.12 m) # |           |

3 CRL AWS 3" Ø ROUND 90° CORNER POST - ALUMINUM \*  
 SCALE: FULL SIZE

| CAT. # | LENGTH          | w/ KIT ** |
|--------|-----------------|-----------|
| RP936  | 36" (914 mm)    | R36CRK    |
| RP948  | 48" (1219 mm)   | R48CRK    |
| RP960  | 60" (1524 mm)   | R60CRK    |
| RP972  | 72" (1829 mm)   | R72CRK    |
| RP9194 | 241" (6.12 m) # |           |

4 CRL AWS 3" Ø ROUND 135° CORNER POST - ALUMINUM \*  
 SCALE: FULL SIZE

| CAT. # | LENGTH          | w/ KIT ** |
|--------|-----------------|-----------|
| RP536  | 36" (914 mm)    | R365K     |
| RP548  | 48" (1219 mm)   | R485K     |
| RP560  | 60" (1524 mm)   | R605K     |
| RP572  | 72" (1829 mm)   | R725K     |
| RP5241 | 241" (6.12 m) # |           |

| CAT. #   | COLOR           |
|----------|-----------------|
| BRGLSW   | SKY WHITE       |
| BRGLSOW  | OYSTER WHITE    |
| BRGLSAGY | AGATE GRAY      |
| BRGLSBGY | BEIGE GRAY      |
| BRGLSBL  | MATTE BLACK     |
| BRGLSBRZ | MATTE BRONZE    |
| BRGLSS   | SILVER METALLIC |
| BRGLSCRM | CHROMATE        |

STOCK LENGTH = 20'-1" (6.12 M)

5 CRL INTERMEDIATE BOTTOM GLASS RAIL  
 SCALE: FULL SIZE

| CAT. #    | COLOR           |
|-----------|-----------------|
| BRF241W   | SKY WHITE       |
| BRF241OW  | OYSTER WHITE    |
| BRF241AGY | AGATE GRAY      |
| BRF241BGY | BEIGE GRAY      |
| BRF241BL  | MATTE BLACK     |
| BRF241BRZ | MATTE BRONZE    |
| BRF241S   | SILVER METALLIC |
| BRF241CRM | CHROMATE        |

STOCK LENGTH = 20'-1" (6.12 M)

6 CRL STANDARD BOTTOM RAIL FILLER  
 SCALE: FULL SIZE

| CAT. # | LENGTH          |
|--------|-----------------|
| BR36K  | 36" (914 mm)    |
| BR48K  | 48" (1219 mm)   |
| BR60K  | 60" (1524 mm)   |
| BR72K  | 72" (1829 mm)   |
| BR194  | 241" (6.12 m) # |

7 CRL AWS BOTTOM RAIL  
 SCALE: FULL SIZE

| CAT. #  | LENGTH            |
|---------|-------------------|
| RCB2    | 1" (25.4 mm)      |
| RCB212  | 12" (305 mm)      |
| RCB2241 | 241" (61.12 mm) # |

8 CRL RAIL CONNECTING BLOCKS  
 SCALE: FULL SIZE

| CAT. # | LENGTH          |
|--------|-----------------|
| PF36   | 36" (914 mm)    |
| PF48   | 48" (1219 mm)   |
| PF60   | 60" (1524 mm)   |
| PF72   | 72" (1829 mm)   |
| PF194  | 241" (6.12 m) # |

9 CRL AWS POST POCKET FILLERS  
 SCALE: FULL SIZE

| CAT. #  | COLOR        |
|---------|--------------|
| BTN1W   | SKY WHITE    |
| BTN1OW  | OYSTER WHITE |
| BTN1AGY | AGATE GRAY   |
| BTN1BGY | BEIGE GRAY   |
| BTN1BL  | MATTE BLACK  |
| BTN1BRZ | MATTE BRONZE |
| BTN1DS  | DARK SILVER  |

10 CRL COLOR MATCH BOLT COVER BUTTONS  
 SCALE: FULL SIZE

| CAT. # | DIAMETER     |
|--------|--------------|
| WSHR1  | 1" (25.4 mm) |

| HOLE            | THICKNESS     |
|-----------------|---------------|
| 7/16" (11.1 mm) | 1/8" (3.2 mm) |

11 CRL S.STL. BUTTON WASHER  
 SCALE: FULL SIZE

| CAT. # | DESCRIPTION                 |
|--------|-----------------------------|
| 14BV   | FOR 1/4" (6 mm) thk. GLASS  |
| 38BV   | FOR 3/8" (10 mm) thk. GLASS |

NOTES: 1/2" (12 mm) thk. GLASS MUST BE WET GLAZED  
 STOCK LENGTH = 12' (3.66 M)

12 CRL BOTTOM RIGID GLAZING VINYL  
 SCALE: FULL SIZE

| CAT. #  | LENGTH          |
|---------|-----------------|
| GV36BL  | 36" (914 mm)    |
| GV48BL  | 48" (1219 mm)   |
| GV60BL  | 60" (1524 mm)   |
| GV72BL  | 72" (1829 mm)   |
| GV120BL | 144" (3.66 m) # |

NOTE: 1/2" (12 mm) thk. GLASS MUST BE WET GLAZED

13 CRL AWS RIGID GLAZING VINYL  
 SCALE: FULL SIZE

| CAT. # | THICKNESS      |
|--------|----------------|
| WPSB1  | 1/2" (12.7 mm) |

| WIDTH        | LENGTH       |
|--------------|--------------|
| 3/4" (19 mm) | 24" (610 mm) |

14 CRL GLASS POCKET SETTING BLOCK FOR WINDSCREEN POSTS  
 SCALE: FULL SIZE

Revisions By:

Discription:  
 CRL / AWS  
 ALUMINUM ROUND  
 POST GLASS WINDSCREEN  
 SYSTEM

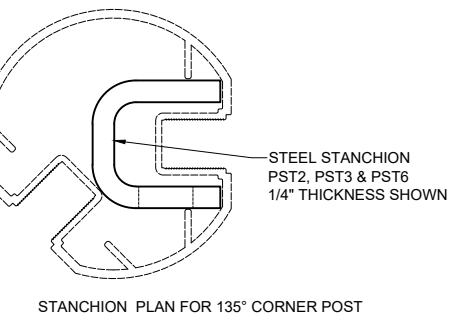
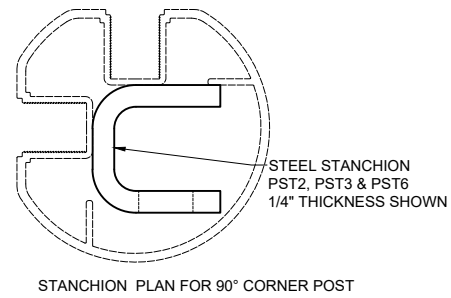
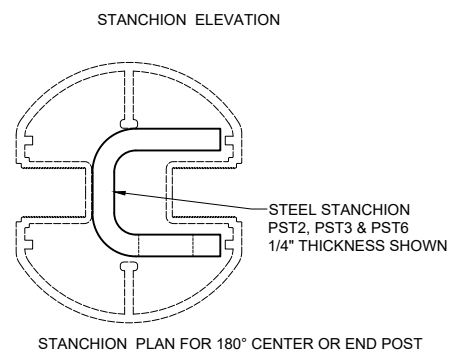
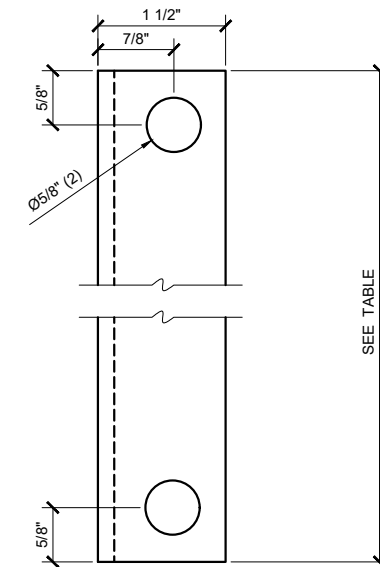
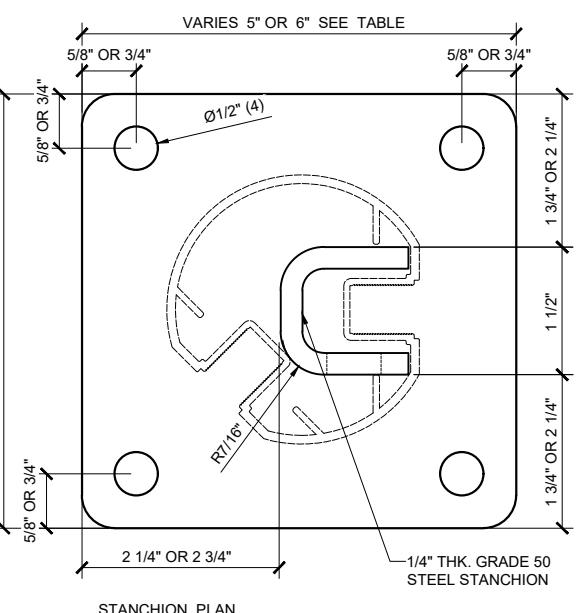
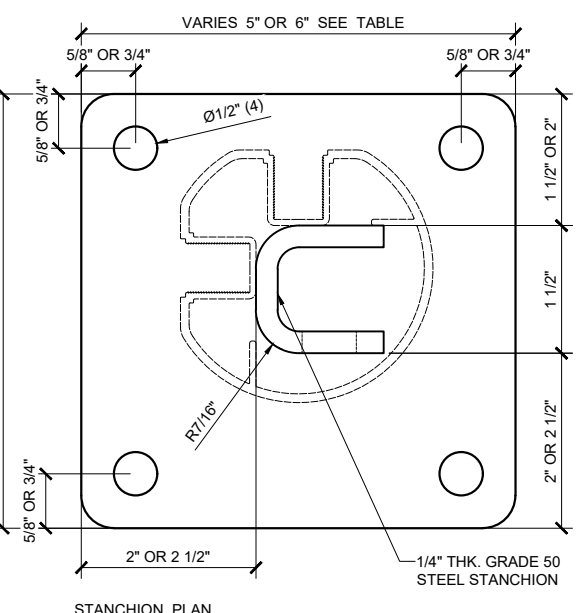
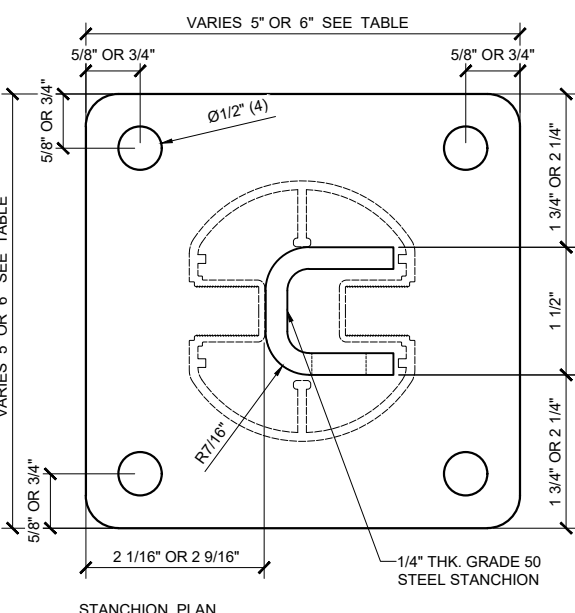
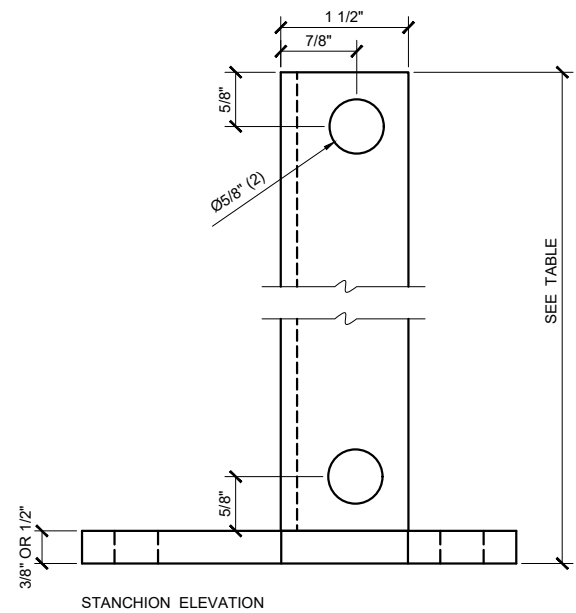
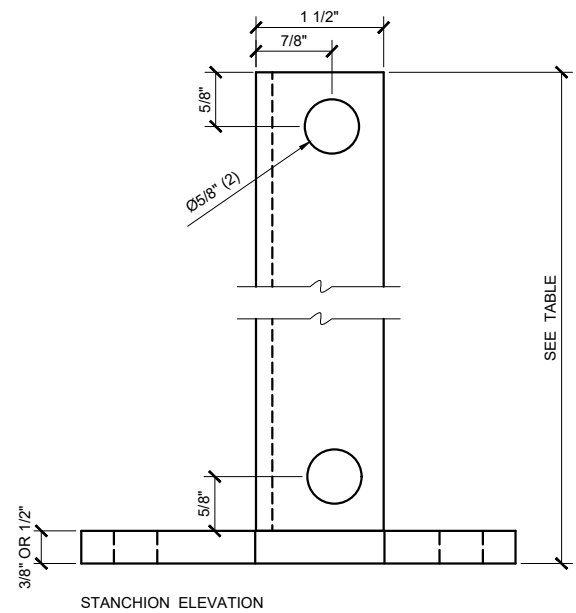
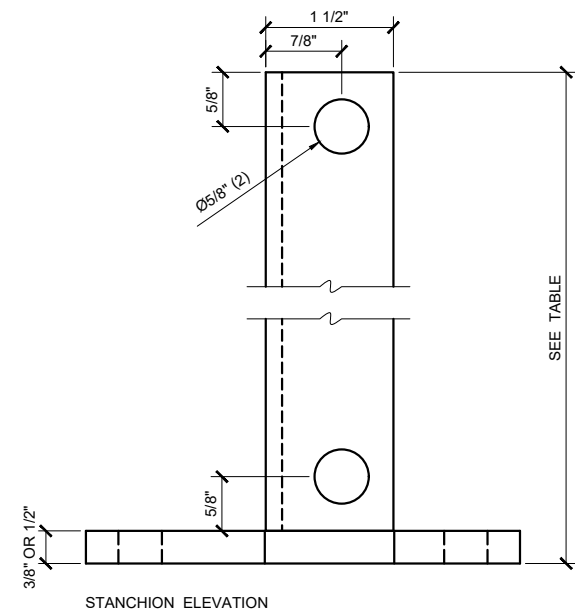
Drawn By: RPD  
 Date: 01/27/14  
 Scale: AS NOTED  
 File Name: CRL-AWS-RndPGW SYS.dwg



2603 E. Vernon Avenue, Los Angeles, CA 90058-1897  
 PH (800)-421-6144 FX (800)-587-7501 www.crlinc.com

# CRL AWS - ALUMINUM WINDSCREEN SYSTEM

TYPICAL AWS ATTACHMENTS - WELDED STEEL (GRADE 50) SURFACE MOUNT / CORE MOUNT STANCHIONS FOR ROUND POSTS



**1** WELDED STEEL STANCHION FOR 180° ROUND CENTER OR END POST  
SCALE: FULL SIZE

**2** WELDED STEEL STANCHION FOR 90° RECTANGULAR CORNER POST  
SCALE: FULL SIZE

**3** WELDED STEEL STANCHION FOR 135° RECTANGULAR CORNER POST  
SCALE: FULL SIZE

**4** STEEL STANCHION FOR CORE MOUNT POSTS  
SCALE: FULL SIZE

| CAT. # | LENGTH       | FOR POST HEIGHT     | SIZE***         |
|--------|--------------|---------------------|-----------------|
| PSB1A  | 12" (305 mm) | UP TO 24" (610 mm)  | 5"X5"X3/8" THK. |
| PSB1B  | 30" (762 mm) | UP TO 48" (1219 mm) | 5"X5"X3/8" THK. |
| PSB1C  | 30" (762 mm) | UP TO 72" (1829 mm) | 6"X6"X1/2" THK. |

| CAT. # | LENGTH       | FOR POST HEIGHT     | SIZE***         |
|--------|--------------|---------------------|-----------------|
| PSB2A  | 12" (305 mm) | UP TO 24" (610 mm)  | 5"X5"X3/8" THK. |
| PSB2B  | 30" (762 mm) | UP TO 48" (1219 mm) | 5"X5"X3/8" THK. |
| PSB2C  | 30" (762 mm) | UP TO 72" (1829 mm) | 6"X6"X1/2" THK. |

| CAT. # | LENGTH       | FOR POST HEIGHT     | SIZE***         |
|--------|--------------|---------------------|-----------------|
| PSB4A  | 12" (305 mm) | UP TO 24" (610 mm)  | 5"X5"X3/8" THK. |
| PSB4B  | 30" (762 mm) | UP TO 48" (1219 mm) | 5"X5"X3/8" THK. |
| PSB4C  | 30" (762 mm) | UP TO 72" (1829 mm) | 6"X6"X1/2" THK. |

| CAT. # | HEIGHT        | DESCRIPTION      | FOR POST HEIGHT     | THICKNESS / GAUGE  |
|--------|---------------|------------------|---------------------|--------------------|
| PST1   | 18" (457 mm)  | GRADE 50 STEEL   | UP TO 36" (914 mm)  | 1/8" (3.2 mm) THK. |
| PST2   | 18" (457 mm)  | GRADE 50 STEEL   | UP TO 48" (1219 mm) | 1/4" (6.3 mm) THK. |
| PST3   | 30" (762 mm)  | GRADE 50 STEEL   | UP TO 72" (1829 mm) | 1/4" (6.3 mm) THK. |
| PST4   | 30" (762 mm)  | 304 GRADE S.STL. | UP TO 72" (1829 mm) | 1/8" (3.2 mm) THK. |
| PST6   | 42" (1067 mm) | GRADE 50 STEEL   | SPECIAL CONDITIONS  | 1/4" (6.3 mm) THK. |

\*\*\* 5" X 5" (127 X 127 mm) X 3/8" (9.5 mm) THK.  
6" X 6" (152 X 152 mm) X 1/2" (12.7 mm) THK.

Revisions By:

**CRL**

2603 E. Vernon Avenue, Los Angeles, CA 90058-1897  
PH (800)-421-6144 FX (800)-587-7501 www.crlinc.com

Discription:  
CRL / AWS  
ALUMINUM ROUND  
POST GLASS WINDSCREEN  
SYSTEM

Drawn By: RPD

Date: 01/27/14

Scale: AS NOTED

File Name:

CRL-AWS-RndPGW SYS.dwg

Sheet

**6**