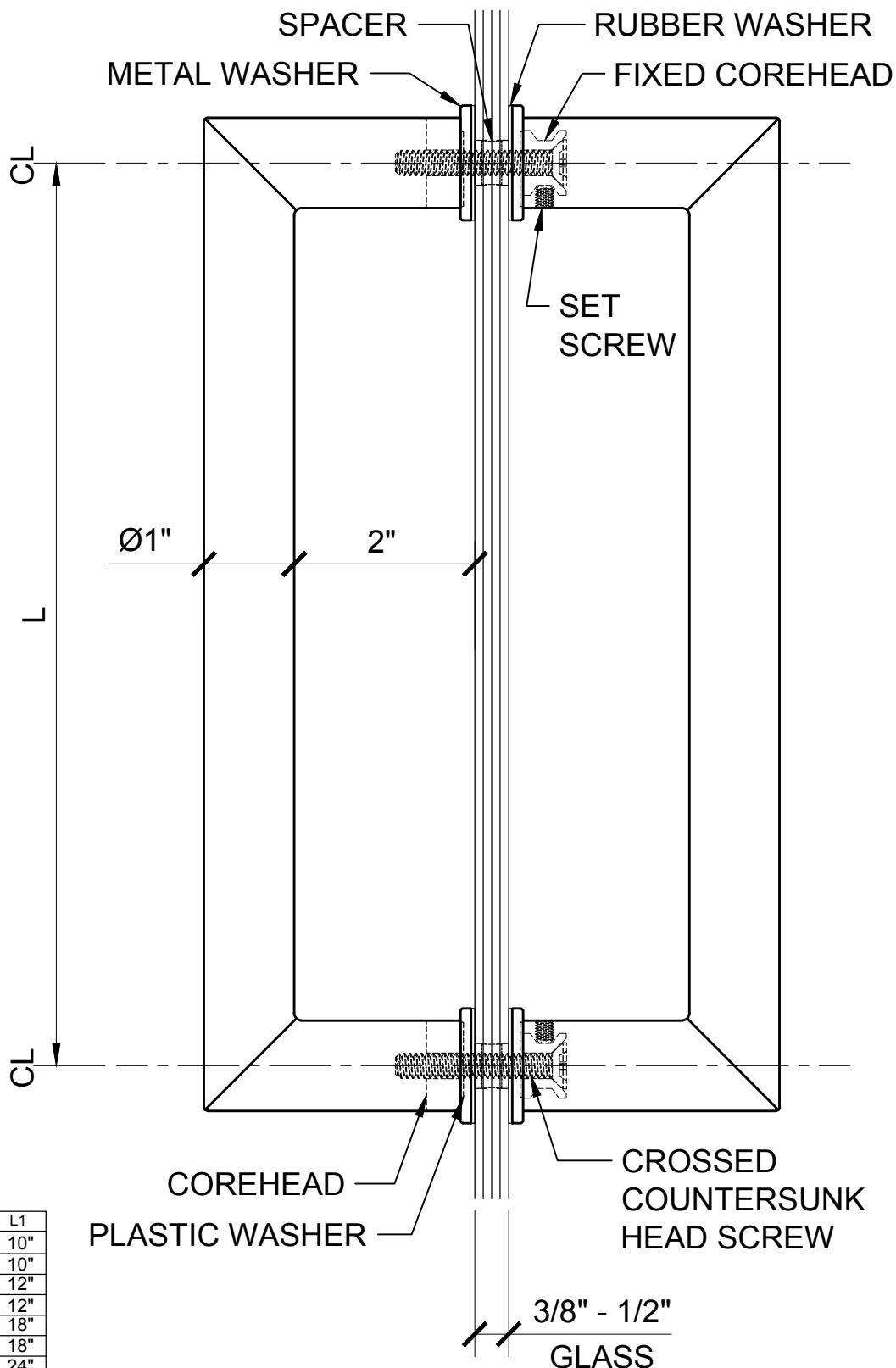


1" (25mm) Round Stainless Steel Tubing
Glass Thickness Range: 3/8" to 3/4" (10mm to 19 mm)
Hole Diameter Required: 5/8" (16 mm) (2)



| PART NUMBER | FINISH | L1 |
|-------------|--------------------|-----|
| MH10X10BS | BRUSHED STAINLESS | 10" |
| MH10X10PS | POLISHED STAINLESS | 10" |
| MH12X12BS | BRUSHED STAINLESS | 12" |
| MH12X12PS | POLISHED STAINLESS | 12" |
| MH18X18BS | BRUSHED STAINLESS | 18" |
| MH18X18PS | POLISHED STAINLESS | 18" |
| MH24X24BS | BRUSHED STAINLESS | 24" |
| MH24X24PS | POLISHED STAINLESS | 24" |



C.R. LAURENCE CO. ARCHITECTURAL PRODUCTS
 2503 E. Vernon Avenue, Los Angeles, C.A 90058-1897
 PH (800)-421-6144 FX: 800-587-7501 www.crlaurence.com

DESCRIPTION: GLASS MOUNT MITERED CORNER PULL HANDLE
 PART #: SEE CHART

DATE: 11/4/2018
 SCALE: NTS
 DRAWN BY: VM