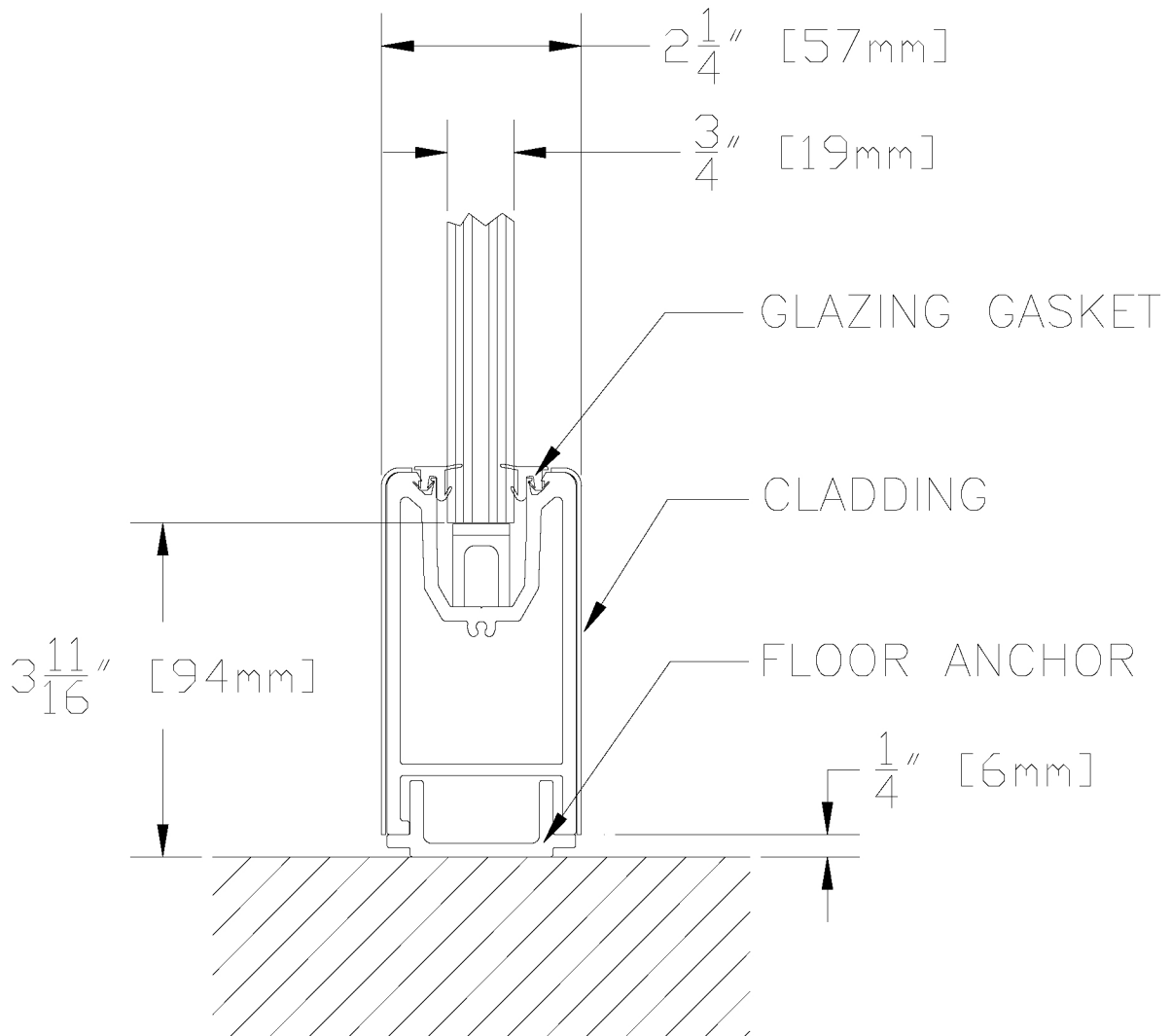


CLAD



4" SQUARE SIDELITE RAIL WITH FLOOR ANCHOR
FOR $\frac{3}{4}$ " GLASS CLAD

ENL DOOR RAIL SYSTEM

C.R. Laurence Architectural Products

Phone Orders (800) 421-6144

Fax Orders (800) 262-3299

WWW.CRLAURENCE.COM

Patent Pending