

NEW FEATURES

- ✓ The Polaris 125 Series is the new benchmark in frameless glass gate hinges.
- ✓ Quick-Adjust Ratchet cap for simple spring tension adjustment.
- ✓ Upgraded Internal spring Increasing reliability & longevity.
- ✓ Larger clamping plate footprint providing superior grip on glass.
- ✓ Click-in-click-out” variable strength dampers offering soft-close customisation

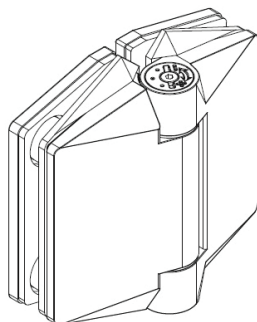
GLASS GATE APPLICATIONS

POOL FENCES
STAIRWAYS & LANDINGS
CHILD CARE CENTRES / PLAYGROUP
HOTELS / RESORTS
PEDESTRIAN ACCESS

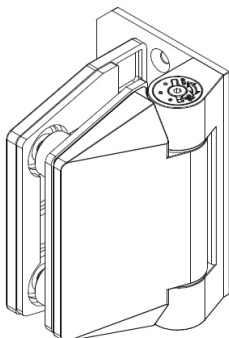
ENTRY BARRIERS
STADIUM ACCESS
BALUSTRADE ACCESS
WINE CELLARS
SHOWCASES

“PREMIUM SOFT CLOSE HINGE FOR 12MM GLASS GATES”

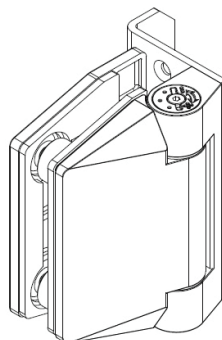
Glass to Glass



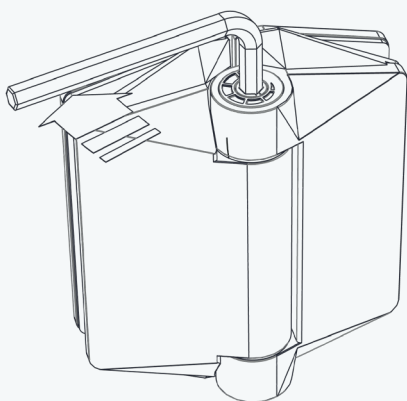
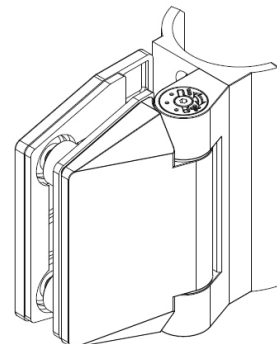
Glass to Wall



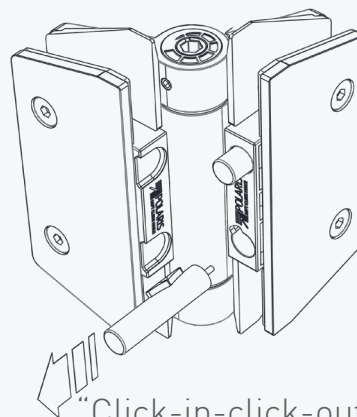
Glass to Square Post



Glass to Round Post



Quick-Adjust Ratchet cap



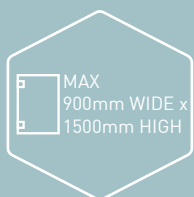
“Click-in-click-out”
variable strength buffers

PRODUCTS / SKU

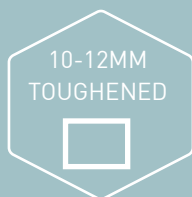
HINGES	UM	SATIN	POLISHED	MATT BLACK
180DEG GLASS TO GLASS	PAIR	125GS	125GP	125GB
WALL TO GLASS	PAIR	125WS	125WP	125WB
POST MOUNT BRACKETS	UM	SATIN	POLISHED	MATT BLACK
SQUARE POST 50MM L-BRACKET	PAIR	SQS	SQP	SQB
ROUND POST 50MM DIA C-BRACKET	PAIR	ROS	ROP	ROB
DAMPER KITS	UM	BLUE (LIGHT 150N)	GREY (STANDARD 200N)	ORANGE (STRONG 300N)
	KIT	DB150	DG200	DO300



Material



Width/Height



Glass Thickness



Max Weight



Operating
Temperature



Function