

# INSTALLATION INSTRUCTIONS

MODELS C6304, C6305, AND C6306

**DELUXE PACKAGED SHOWCASE**

AND

MODEL C4030 WITH D3049A MULLION

**CUSTOM PACKAGED SHOWCASE**



---

2503 E. Vernon Avenue, Los Angeles, CA 90058-1826  
Phone: (800) 421-6144 Fax: (800) 262-3299  
crlaurence.com

---

11M0231\_REV\_A

# ORDER OF ASSEMBLY AND INSTALLATION

Specifications .....	2
Required Tools .....	2
Tempered Glass Fabrication .....	3
Prepare Glass Panels .....	3
Assemble Top .....	4
Assemble Base .....	5
Secure Base .....	6
Install Included Legs (Optional) .....	6
Install Verticals .....	7
Glaze Sides and Install Top .....	8
Secure Verticals and Install Trim Covers .....	9
Prepare and Install Doors .....	10
Finishing Touches .....	11
Model C4030 with D3049A Mullion .....	12

**IMPORTANT: READ THIS MANUAL THOROUGHLY BEFORE BEGINNING INSTALLATION.**

## SPECIFICATIONS

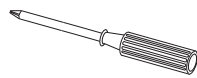
NOTE: Model C4030 may include four sets of doors and a mullion separating them. Standard configurations include two sets of doors.

	<b>C6304</b>	<b>C6305</b>	<b>C6306</b>	<b>C4030</b>
Width	48" (1219 mm)	60" (1524 mm)	72" (1829 mm)	Maximum 98" (2849 mm)
Height (with Legs)	38" (965 mm)	38" (965 mm)	38" (965 mm)	Maximum 48" (1219 mm)
Depth	21" (533 mm)	21" (533 mm)	21" (533 mm)	Maximum 24" (610 mm)
Standards	2 Pieces	3 Pieces	3 Pieces	Refer to Order Sheet
10" and 12" Shelf Bracket Sets	2 Sets	3 Sets	3 Sets	Refer to Order Sheet

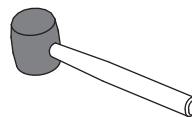
## REQUIRED TOOLS



Utility Knife



#1 Phillips Screwdriver



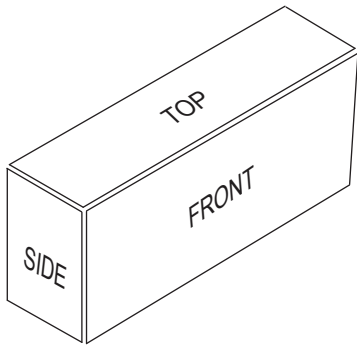
Soft Rubber Mallet



Cat. No. 33S Silicone Sealant

NOTE: Model C6304 is shown in these instructions.

# TEMPERED GLASS FABRICATION



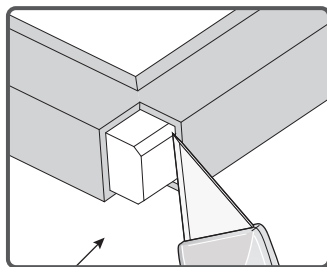
	MODEL C6304	MODEL C6305	MODEL C6306
Top (1)	46-3/4" x 19-3/4" (1188 x 502 mm)	58-3/4" x 19-3/4" (1492 x 502 mm)	70-3/4" x 19-3/4" (1797 x 502 mm)
Front (1)	46-9/16" x 30" (1183 x 762 mm)	58-9/16" x 30" (1488 x 762 mm)	70-9/16" x 30" (1792 x 762 mm)
Sides (2)	19-5/16" x 30" (491 x 762 mm)	19-5/16" x 30" (491 x 762 mm)	19-5/16" x 30" (491 x 762 mm)
Doors (2)	23-11/16" x 28-13/16" (602 x 732 mm)	29-11/16" x 28-13/16" (754 x 732 mm)	35-11/16" x 28-13/16" (907 x 732 mm)

**IMPORTANT:** Use 1/4" (6 mm) Tempered Glass ONLY.

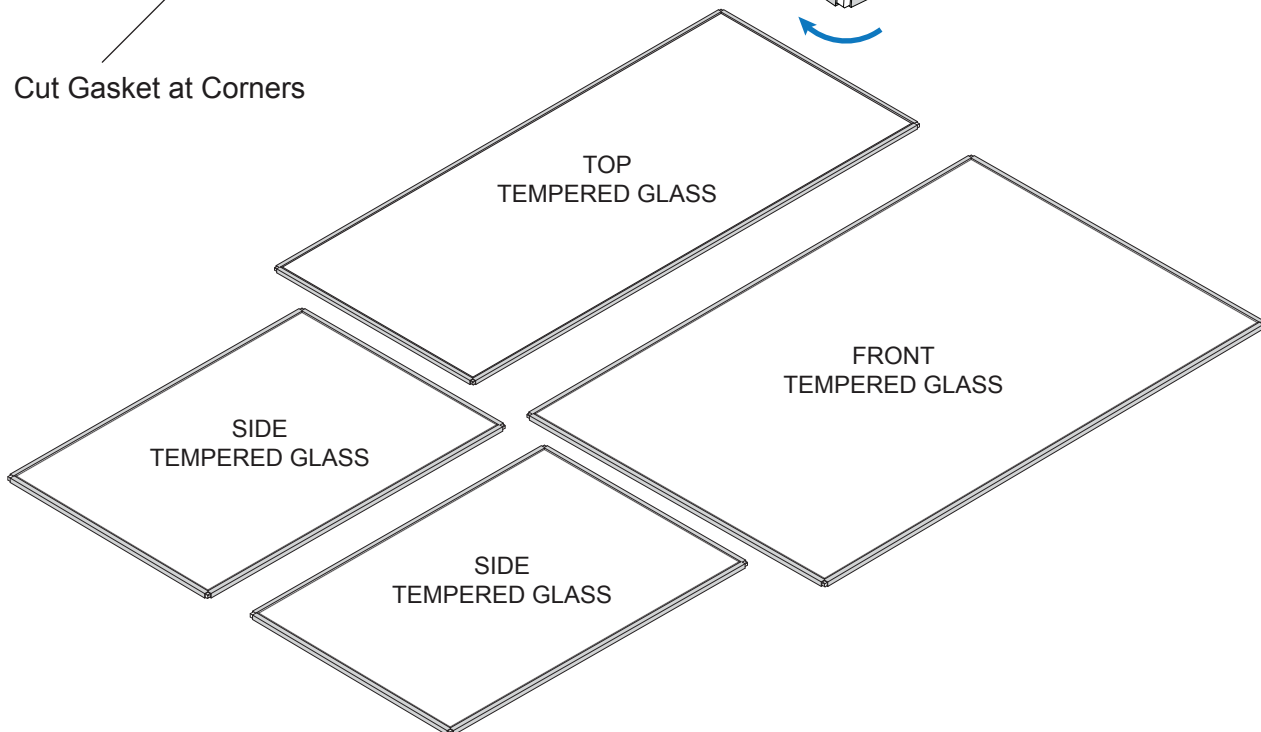
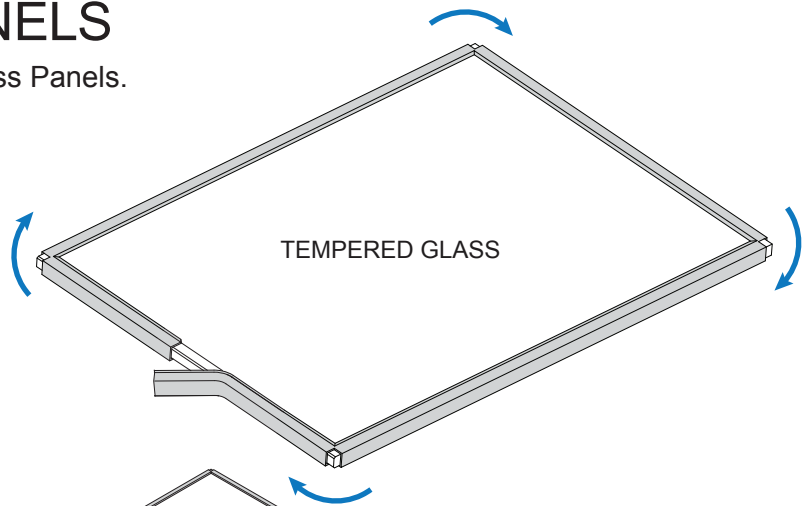
**NOTE:** Refer to your Order Sheet for Glass Fabrication for Model C4030.

## PREPARE GLASS PANELS

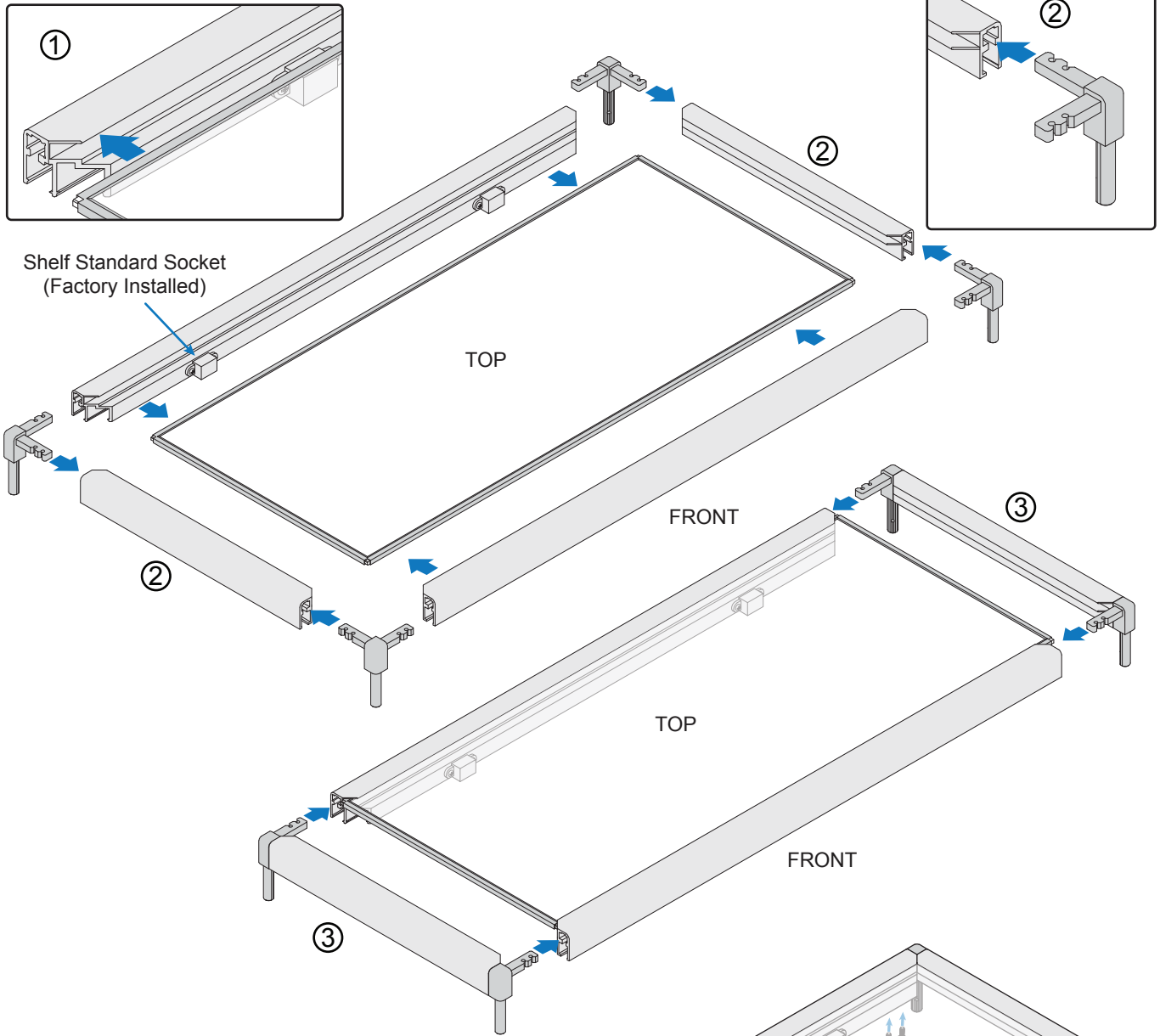
Install Gasket on Top, Front, and Side Glass Panels.



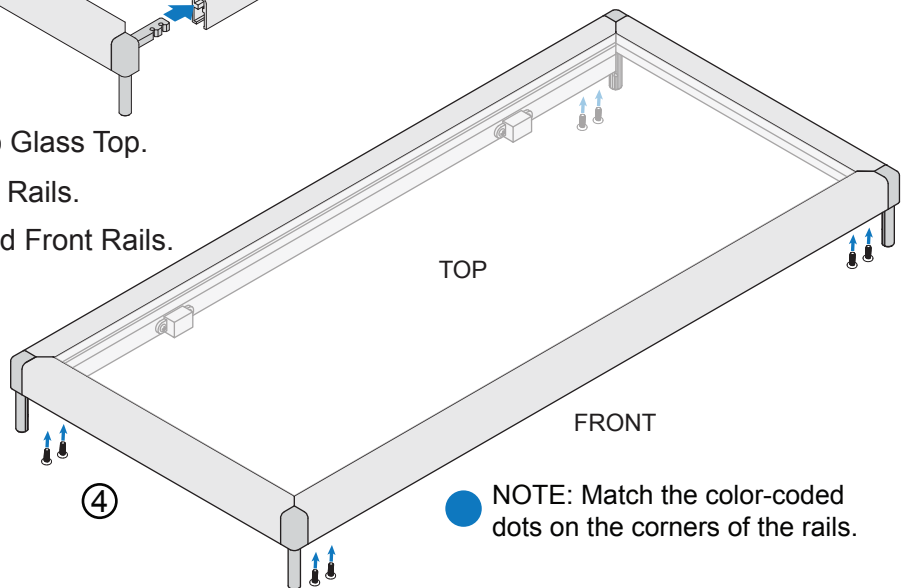
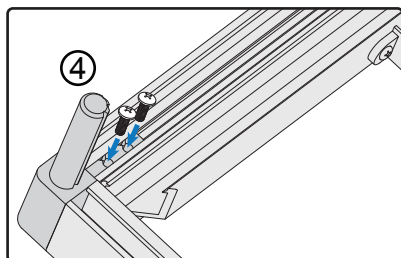
Cut Gasket at Corners



# ASSEMBLE TOP



- ① Fit Front and Back Rails onto Glass Top.
- ② Fit Corner Brackets into Side Rails.
- ③ Slide Side Rails into Back and Front Rails.
- ④ Tighten screws securely.



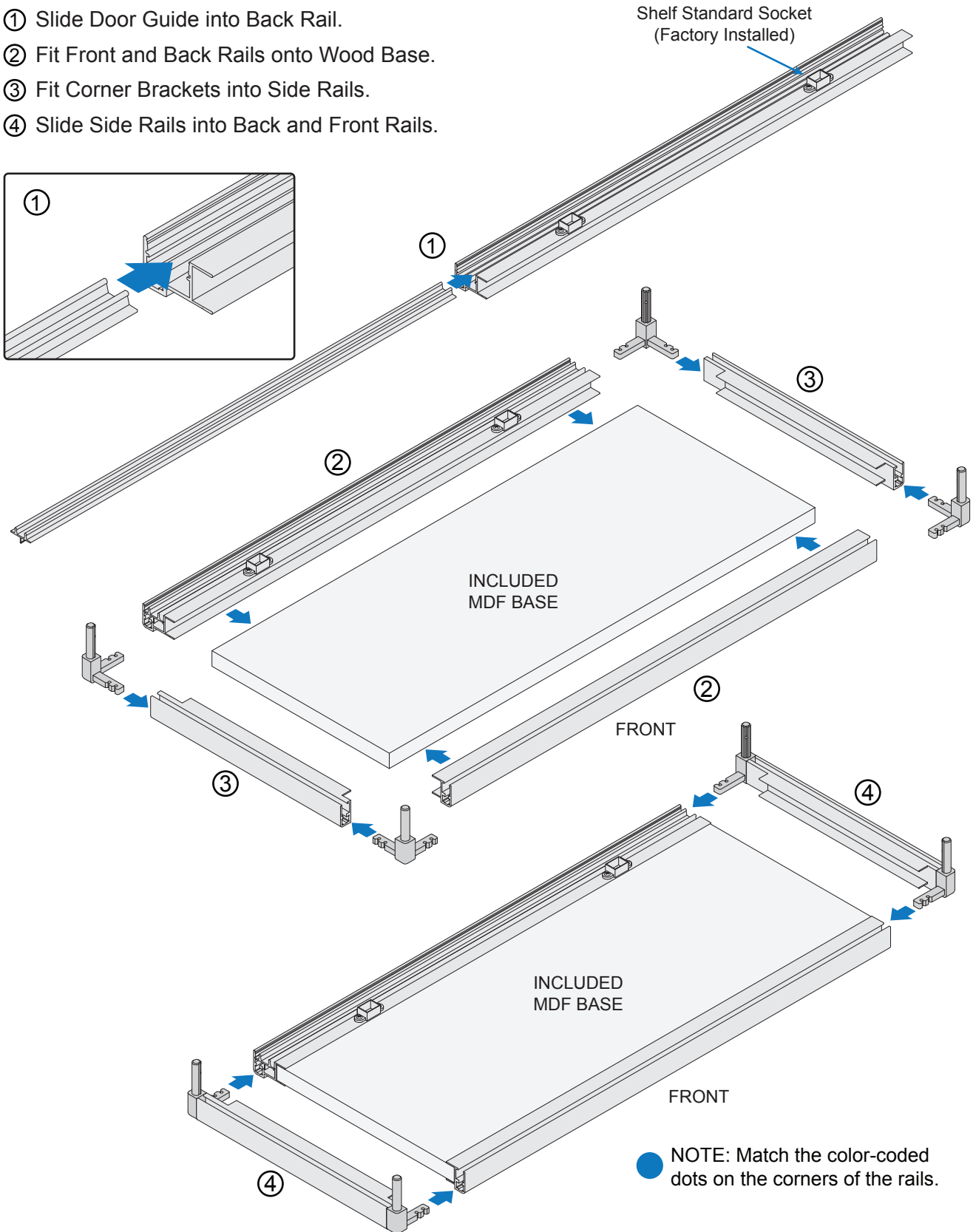
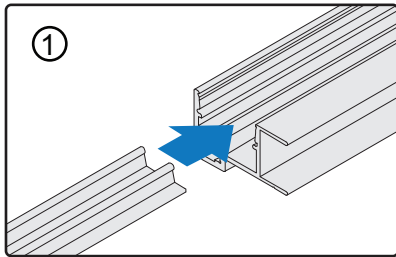
● NOTE: Match the color-coded dots on the corners of the rails.

NOTE: Screws are included in Hardware Pack.

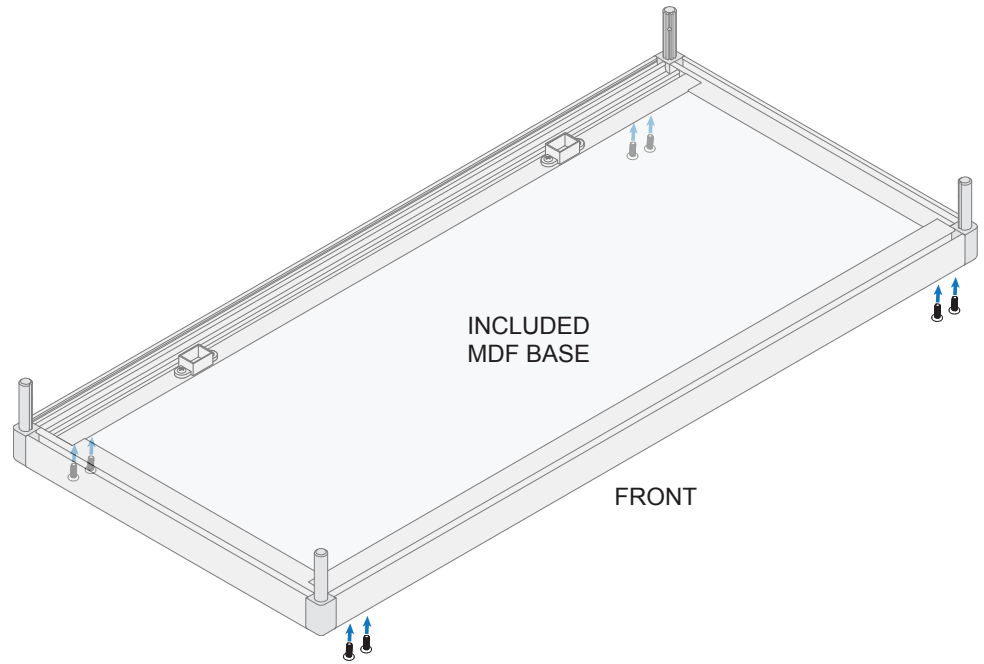
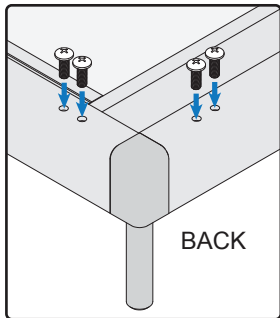
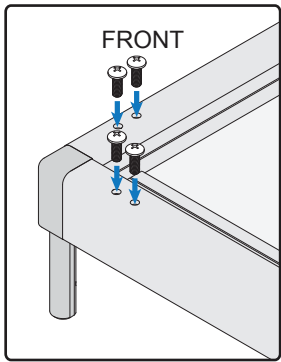
# ASSEMBLE BASE

- ① Slide Door Guide into Back Rail.
- ② Fit Front and Back Rails onto Wood Base.
- ③ Fit Corner Brackets into Side Rails.
- ④ Slide Side Rails into Back and Front Rails.

Shelf Standard Socket  
(Factory Installed)

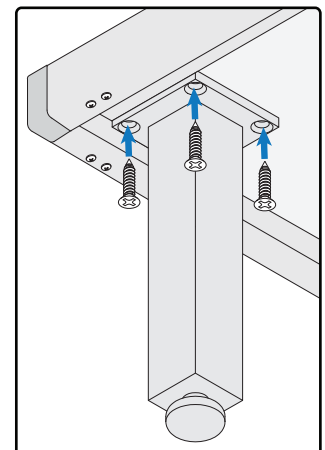
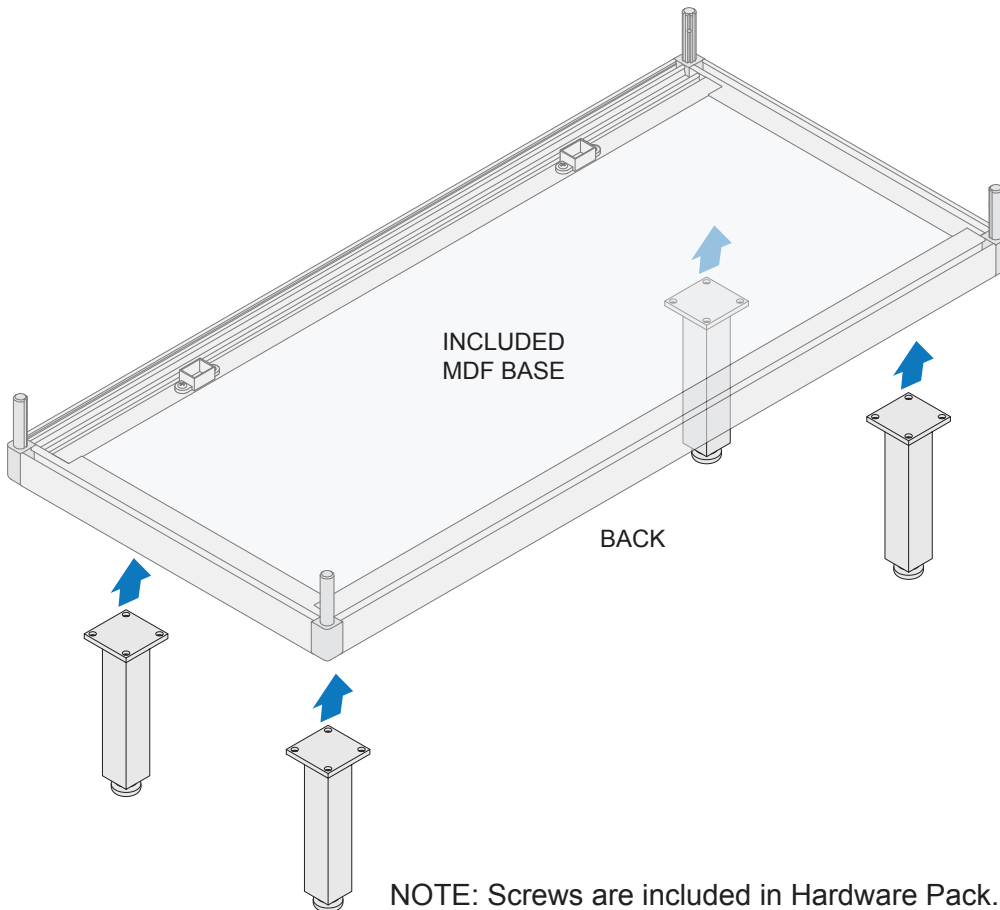


# SECURE BASE



NOTE: Screws are included in Hardware Pack.

## INSTALL INCLUDED LEGS (OPTIONAL)

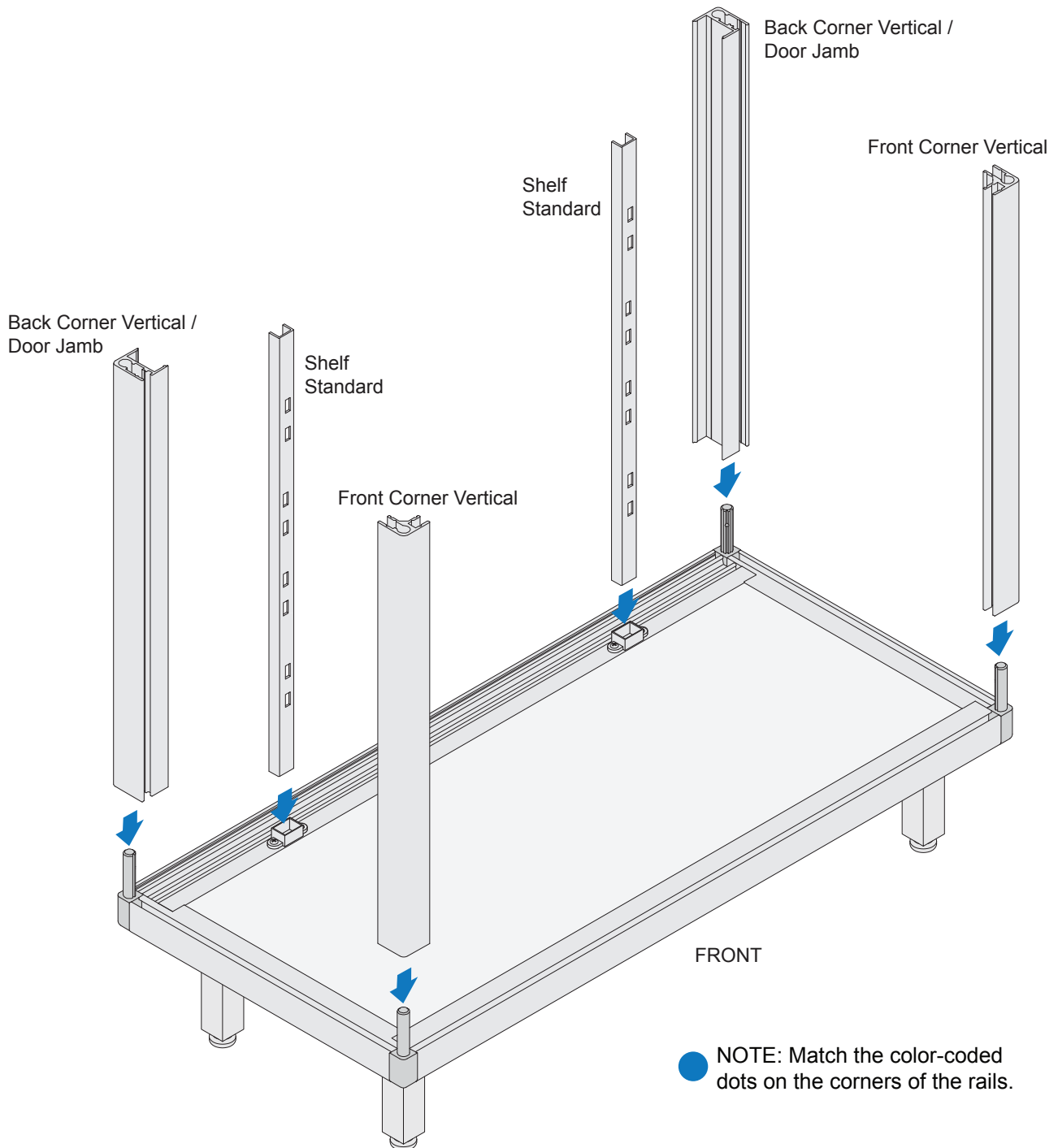


NOTE: Screws are included in Hardware Pack.

# INSTALL VERTICALS

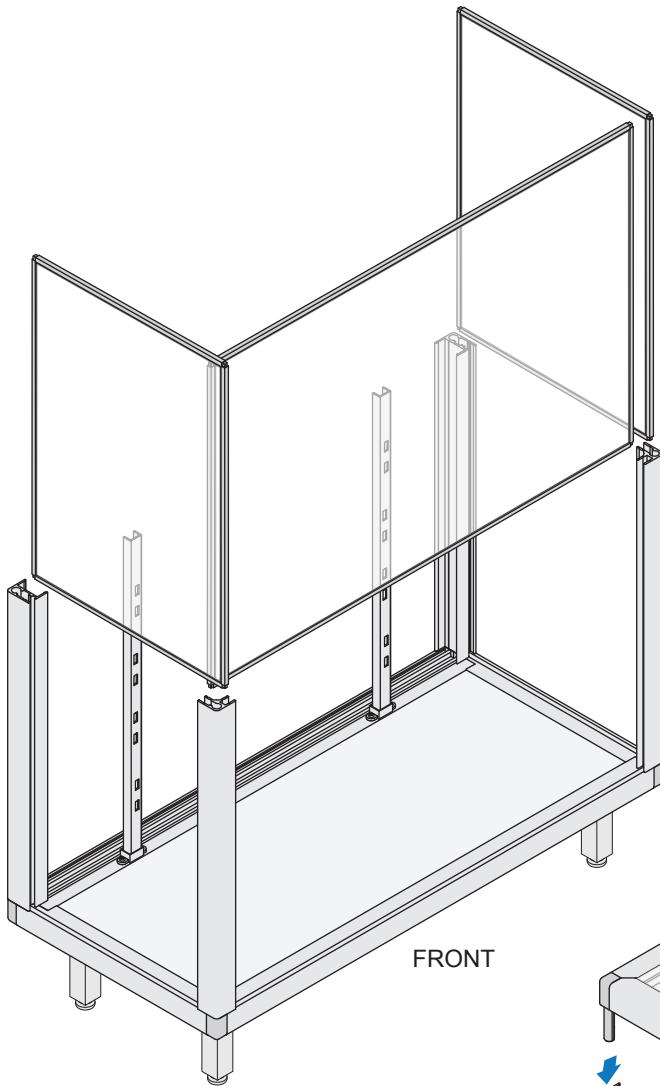
Place Back and Front Corner Verticals on Corner Brackets.

Fit Shelf Standards into sockets.

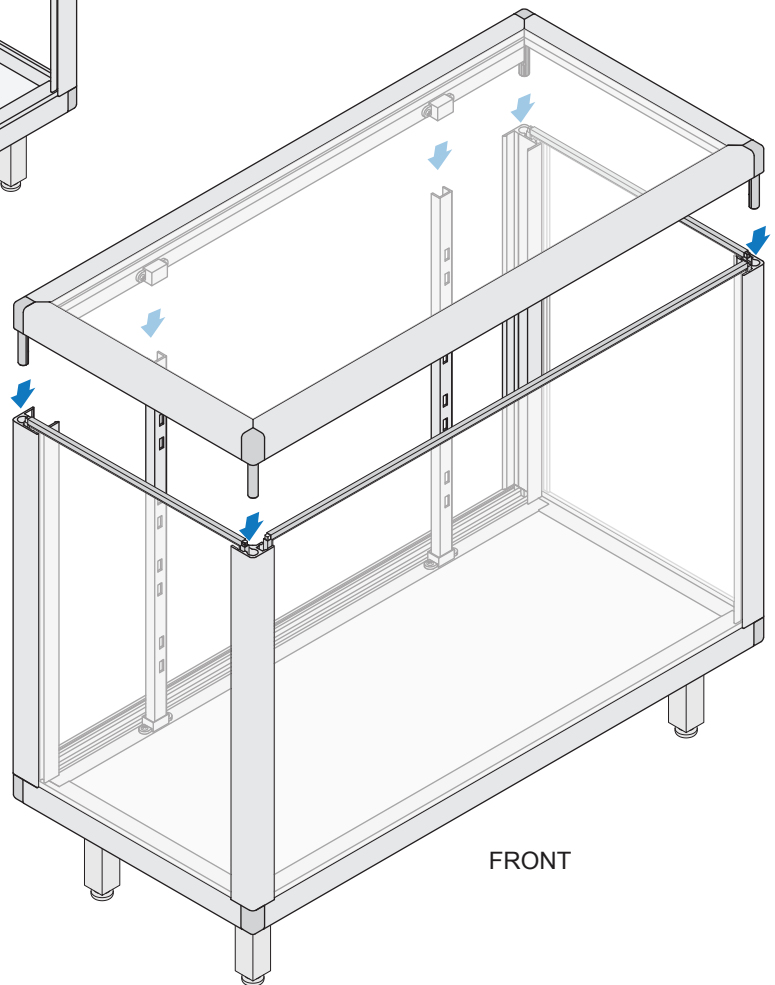


# GLAZE SIDES AND INSTALL TOP

Slide Front and Side Glass Panels into Verticals. Install Top, fitting Corner Brackets into Verticals.

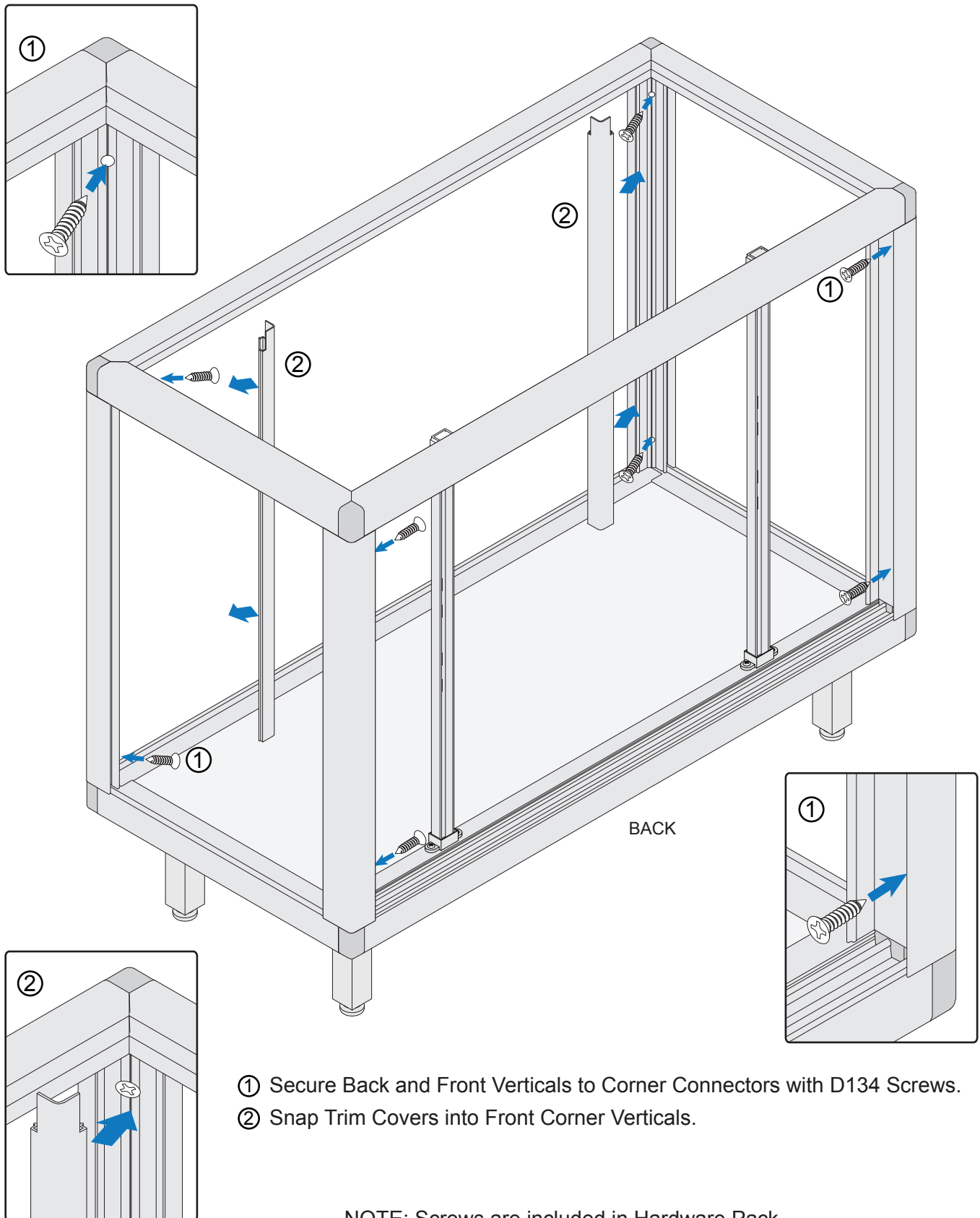


NOTE: Shelf Standards fit into sockets.





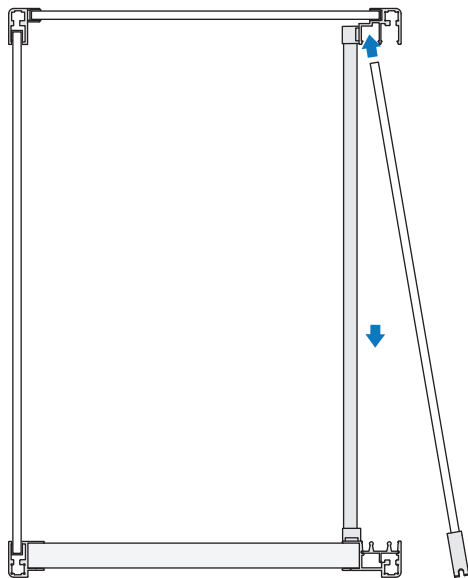
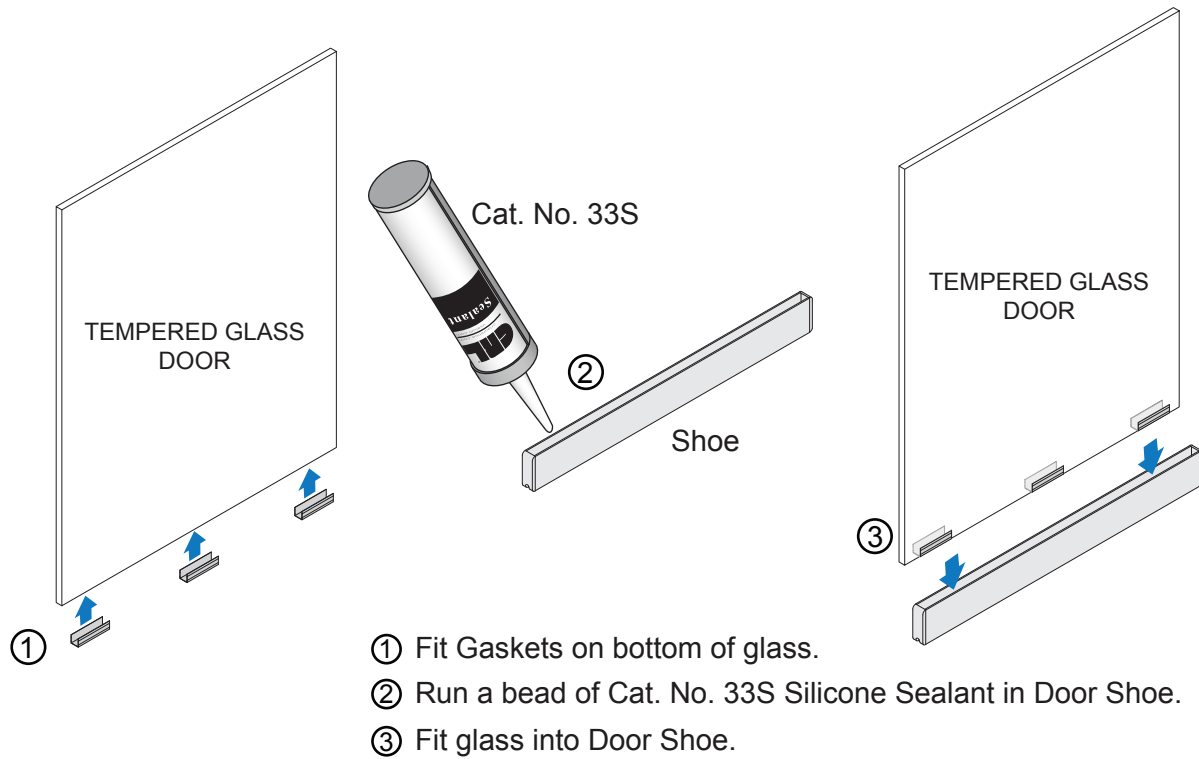
# SECURE VERTICALS AND INSTALL TRIM COVERS



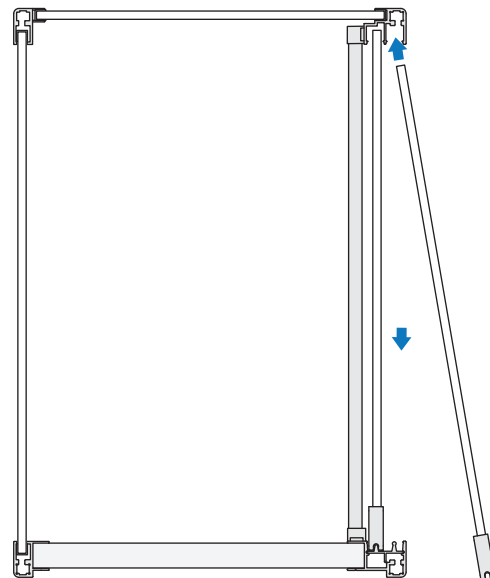
- ① Secure Back and Front Verticals to Corner Connectors with D134 Screws.
- ② Snap Trim Covers into Front Corner Verticals.

NOTE: Screws are included in Hardware Pack.

# PREPARE AND INSTALL DOORS



Insert one door into inner Top Track and rest on inner Door Guide.

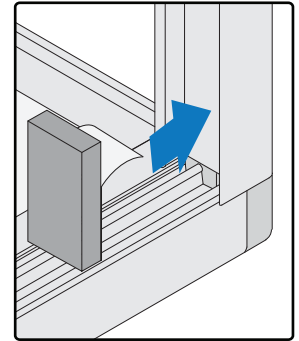
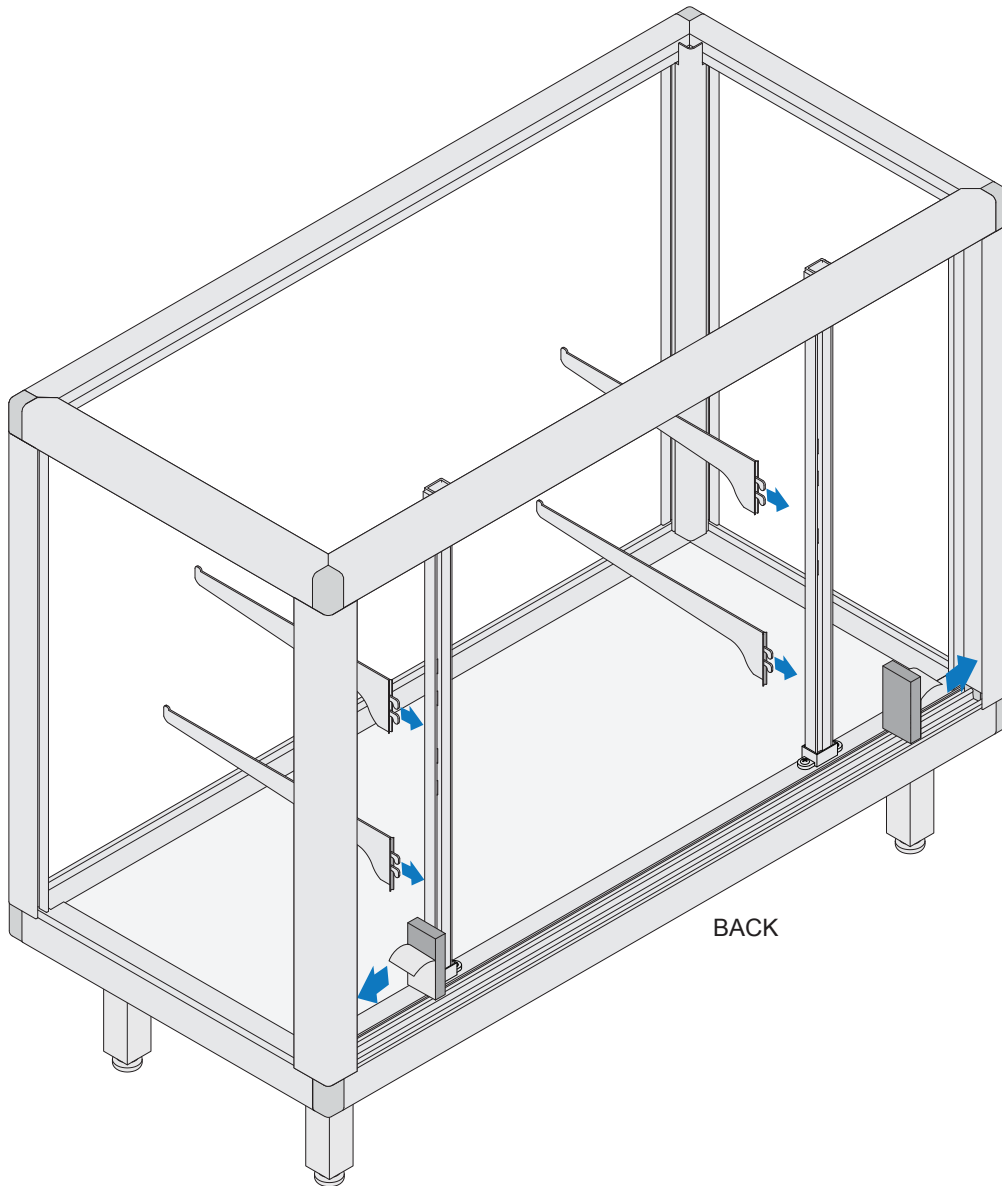


Insert the other door into outer Top Track and rest on outer Door Guide.

## FINISHING TOUCHES

Install Shelf Brackets and Foam Inserts for Jamb.

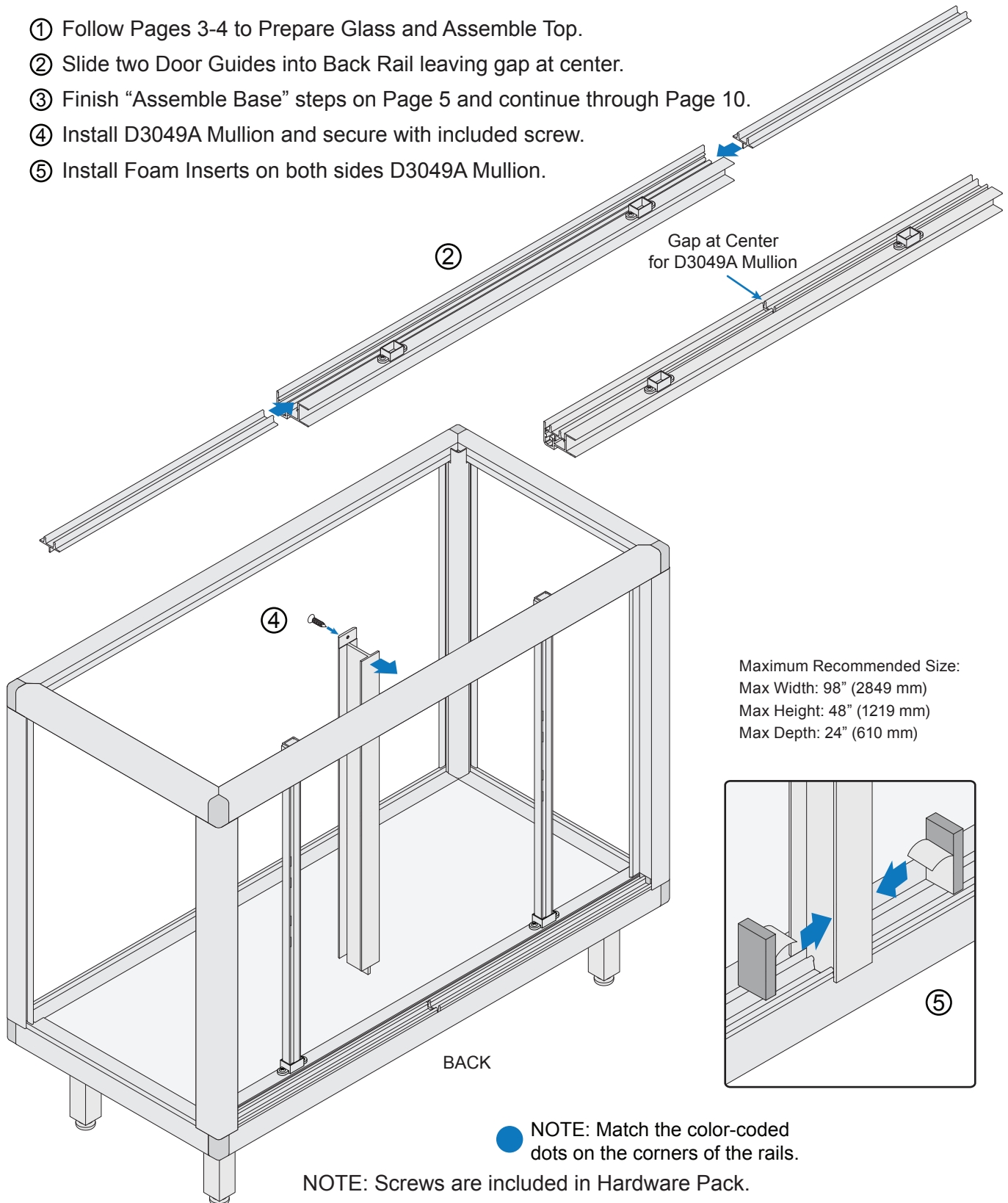
NOTE: Model C6304 includes two Standards and two sets of 10" and 12" Shelf Brackets. Models C6305 and C6306 include three Standards and three sets of 10" and 12" Shelf Brackets. For Model C4030 Custom Sized Showcase consult your order sheet.



# MODEL C4030 WITH D3049A MULLION

Most of the assembly will remain the same. NOTE: Use four sliding doors instead of two with D3049A Mullion.

- ① Follow Pages 3-4 to Prepare Glass and Assemble Top.
- ② Slide two Door Guides into Back Rail leaving gap at center.
- ③ Finish "Assemble Base" steps on Page 5 and continue through Page 10.
- ④ Install D3049A Mullion and secure with included screw.
- ⑤ Install Foam Inserts on both sides D3049A Mullion.



● NOTE: Match the color-coded dots on the corners of the rails.

NOTE: Screws are included in Hardware Pack.