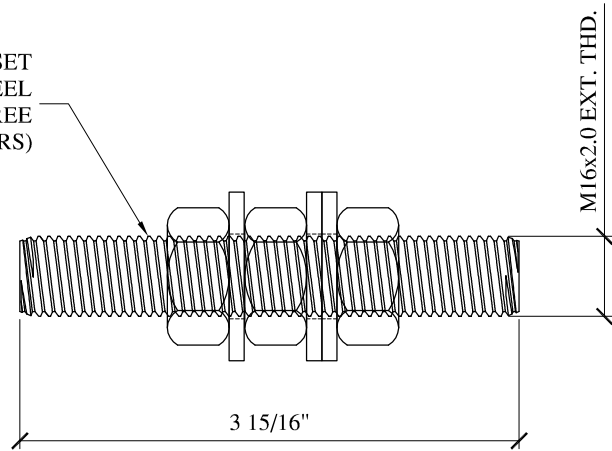


M16SET
 (M16x2.0 STAINLESS STEEL
 STUD w/THREE HEX NUT & THREE
 FLAT WASHERS)



1 M16SET
 Scale: 1:1

REVISIONS



CRP
 C.R. LAURENCE CO.
 ARCHITECTURAL PRODUCTS
 2501 E. Ventura Avenue, Los Angeles, CA 90058
 Phone: (818) 766-2529
 www.crlaurence.com

Part No:

No. M16SET

Phone: -
 Fax: -

DATE: 06-19-09

DRAWN BY: JRM

CHECKED BY:

SCALE: 1:1

JOB #:

CUSTOMER SIGNATURE: X _____

DATE: _____