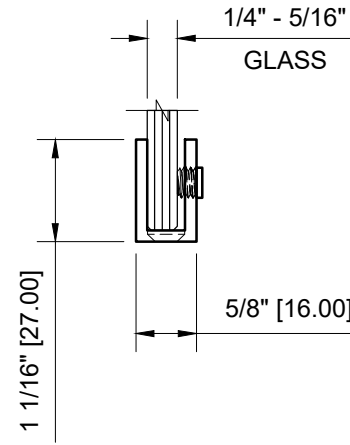
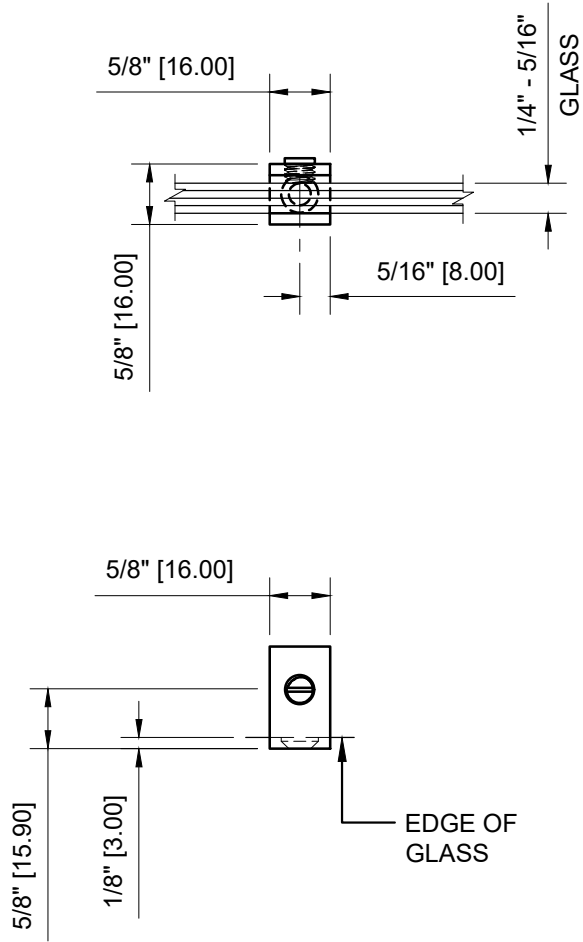


1/4" (6mm) GLASS:
 5/16" (8mm) GLASS:



EH30XX - CRL SINGLE SET SCREW GLASS CLAMP

C.R. LAURENCE CO. ARCHITECTURAL PRODUCTS
 2503 E. Vernon Avenue, Los Angeles, CA 90058-1897
 PH (800)-421-6144 FX: 800-587-7501 www.crlaurence.com



DESCRIPTION: CRL - EH30
 SINGLE SET SCREW CLAMP

DATE: 2-26-2020
 SCALE: 6"=1'-0"
 DRAWN BY: VM