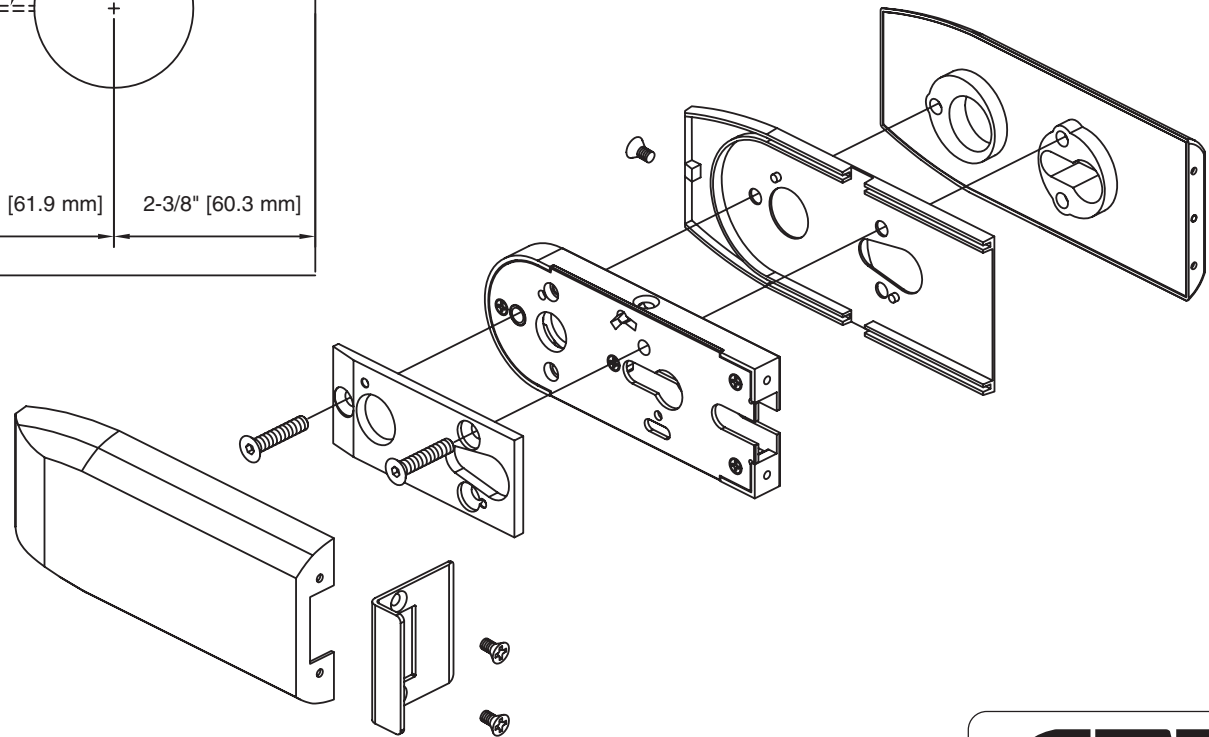
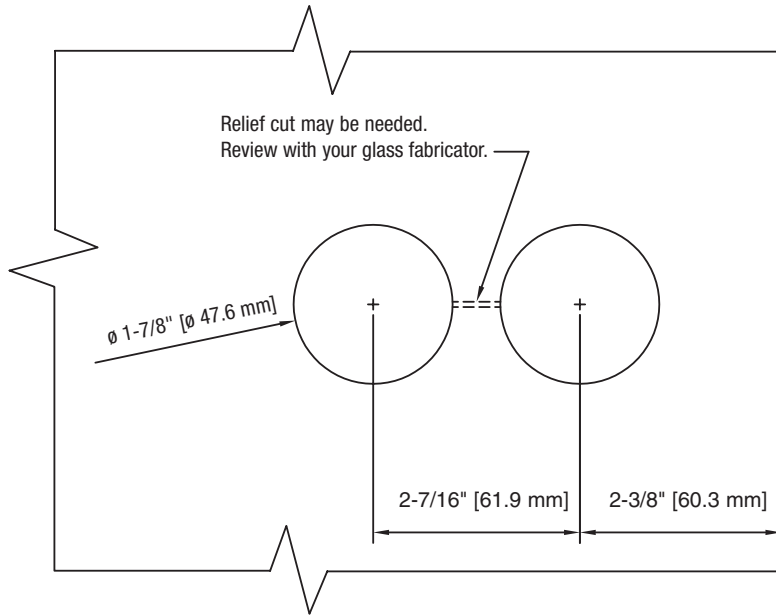


# PTH314

## Series Glass Mounted Latch Keeper Instruction and Template

### GLASS CUTOUT



[crlaurence.com](http://crlaurence.com)

For Technical assistance in the United States call toll free (800) 421-6144; from Canada call toll free (877) 421-6144;  
Outside the U.S. and Canada call (323) 588-1281. Ask for Tech Sales at Extension 7700. Toll free fax (800) 587-7501.

**CRL**  
C.R. LAURENCE INC., CO.

# PTH314

## Series Glass Mounted Latch Keeper Instructions and Template

### Step 1 - Removing the Cover Plate and Separating the Glass Mounted Latch Keeper for Installation

It is only necessary to remove the cover plate on the **Thicker Housing** as this housing contains the securing screws, empty latch mechanism and beveled aluminum plate. With a flat head Phillips screwdriver, removing the housing is easy. First unscrew the two flat head Phillips screws from the strike plate and remove the strike plate. Then unscrew the flat head screw located on the edge of the beveled end of the cover plate and remove the cover plate. After you remove both the strike and cover plates, you need to remove the beveled aluminum plate. The beveled aluminum plate is located in front of the empty latch mechanism. You unscrew the two Allen screws with the supplied large Allen wrench. This will allow the Glass Mounted Latch Keeper to be separated for installation.

### Step 2 - Attaching the Latch Keeper to the Glass Panel

Normally, the **Thicker Housing** of the Glass Mounted Latch Keeper is mounted on the inside or the secure side of the glass panel. This is true except for when the door is an in-swing door. The in-swing door installation requires the **Thick Housing** to be on the outside of the glass panel.

To attach the latch keeper to the glass panel, place the Thin Housing with its plastic gasket into the fabricated holes in the glass panel. Then take the Thick Housing with its empty latch mechanism and beveled aluminum plate and insert the two flat head screws through the empty latch mechanism, beveled aluminum plate and glass and then into the threaded inserts in the thin cover plate.

Checking the alignment with the latch bolt requires temporarily attaching the strike plate. Finalize the alignment with the latch bolt and tighten the flat head Allen screws. Then remove the strike plate so the cover plate can be installed. Slip the thick cover plate over the beveled aluminum plate and the empty latch mechanism. Then with the flat head Phillips screws re-install the strike plate by going through holes in the cover plate and into the threaded empty latch mechanism. Insert the flat head Phillips screw into the hole in the beveled edge of the cover plate and tighten with a Phillips screwdriver by turning clockwise until tightened. Do Not Tighten to hard or you might bend the cover plate. Re-securing it using Loctite Threadlocker will prevent any possibility of the screw becoming loose after continual use.