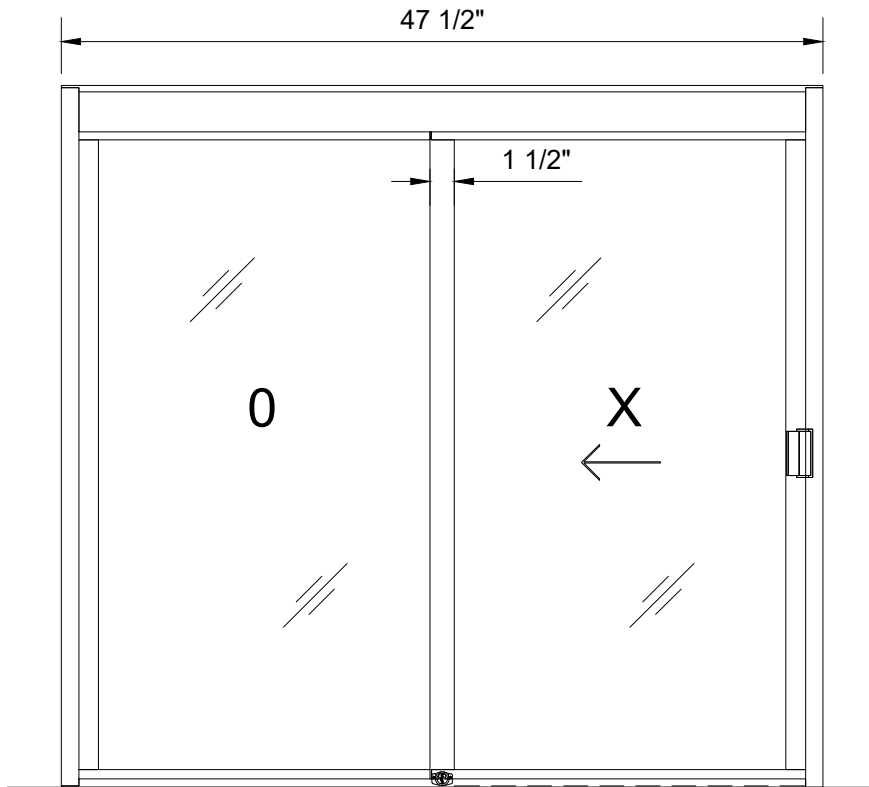


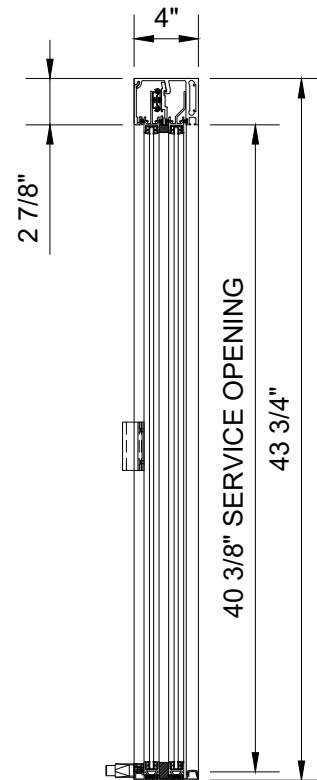
DW4844OXGA DW4844OXGDU DW4844OXUA DW4844OXUDU
 DW4844XOGA DW4844XOGDU DW4844XOUA DW4844XOUDU

One Fixed / One Sliding Panel, No Screen

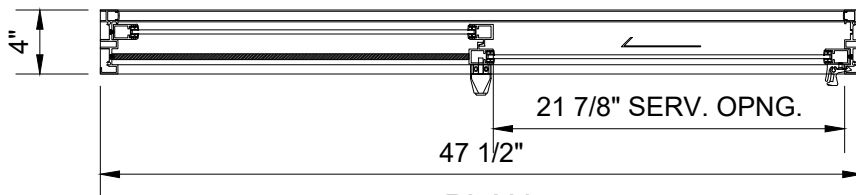
Standard Anodized Finishes: (A) Satin (Class II Clear), (DU) Duranodic Bronze
 Factory-Glazed Or Installer-Glazed: Glass Thickness Range 1/4" (6mm) To 5/8" (16mm)
 Unglazed: Vinyl Provided for Glass Thickness 1/4" (6mm) Or 1/2" (12mm)



ELEVATION



SECTION



PLAN

ROUGH OPENING TO EXCEED FRAME SIZE
 MINIMUM 1/2" ON WIDTH
 MINIMUM 1/4" ON HEIGHT

APPLICATIONS :

- DRIVE-THRU / WALK-UP SERVICE**
- SECURE RECEPTION AREAS**
- INFORMATION / SECURITY KIOSKS**

FRAME ASSEMBLY MATERIALS :

- | | |
|------------------------------|-------------------------------|
| 6063-T5 EXTRUDED ALUMINUM | STEEL BALL BEARING CARRIER |
| STAINLESS STEEL FASTENERS | POLY-PILE WEATHERSTRIPPING |
| PLASTIC GUIDES, BLOCKS, CAPS | EXTRUDED VINYL GLAZING GASKET |

DW SERIES CONFIGURATIONS :

- * MODEL NUMBERS VARY
- * OX XO (X=SLIDING O=FIXED)
- * FULL BOTTOM TRACK
- * 48" W x 44" H OPENING SIZE
- * 47-1/2" W x 43-3/4" H FRAME SIZE
- * 21-7/8" W x 40-3/8" H SERVICE OPENING

OPTIONAL ACCESSORIES :

- STOCK DW KEYLOCK
- BURGLAR BAR (CUSTOM)



C.R.LAURENCE CO. TRANSACTION HARDWARE
 2503 E. Vernon Avenue, Los Angeles, C.A 90058-1897
 PHONE: (800)-421-6144 Ext.17760 FAX: 800-587-7501
 transaction@crlaurence.com www.crlaurence.com

CRL DELUXE SLIDING SERVICE WINDOW
 MANUAL OPEN / MANUAL CLOSE

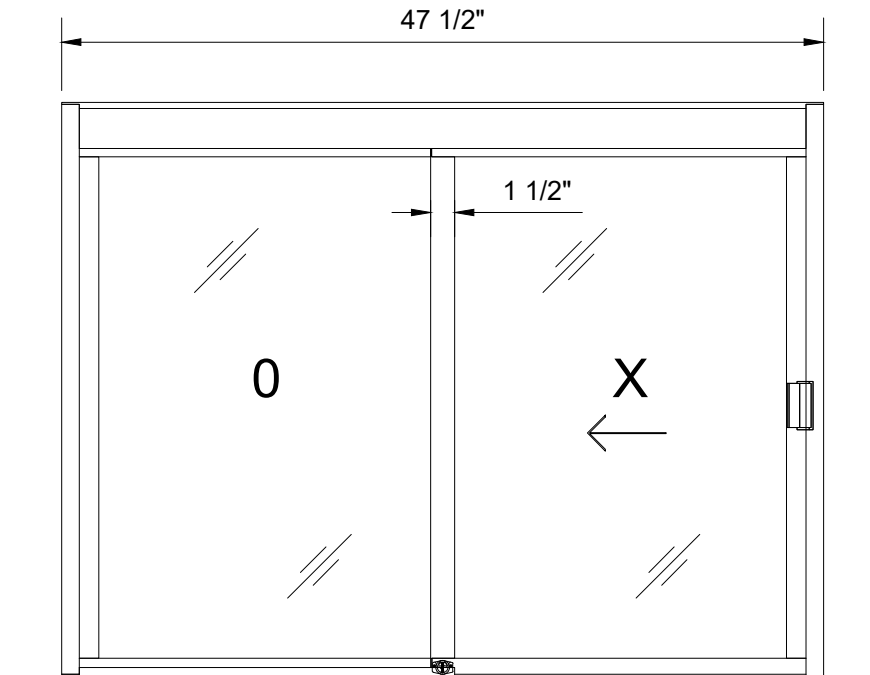
PAGE: 14.1

REV2:	06/14/24
DATE:	05/23/24
SCALE:	1"=1'-0"
DRAWN BY:	RPD

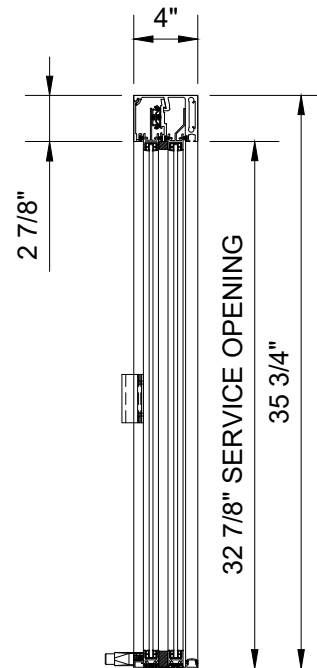
DW4836OXGA DW4836OXGDU DW4836OXUA DW4836OXUDU
 DW4836XOGA DW4836XOGDU DW4836XOUA DW4836XOUDU

One Fixed / One Sliding Panel, No Screen

Standard Anodized Finishes: (A) Satin (Class II Clear), (DU) Duranodic Bronze
 Factory-Glazed Or Installer-Glazed: Glass Thickness Range 1/4" (6mm) To 5/8" (16mm)
 Unglazed: Vinyl Provided for Glass Thickness 1/4" (6mm) Or 1/2" (12mm)

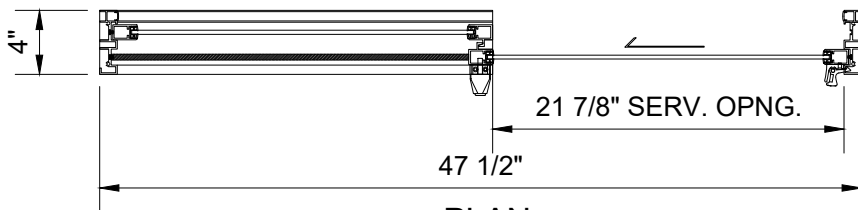


ELEVATION



SECTION

ROUGH OPENING TO EXCEED FRAME SIZE
 MINIMUM 1/2" ON WIDTH
 MINIMUM 1/4" ON HEIGHT



PLAN

APPLICATIONS :

- DRIVE-THRU / WALK-UP SERVICE**
- SECURE RECEPTION AREAS**
- INFORMATION / SECURITY KIOSKS**

FRAME ASSEMBLY MATERIALS :

- | | |
|------------------------------|-------------------------------|
| 6063-T5 EXTRUDED ALUMINUM | STEEL BALL BEARING CARRIER |
| STAINLESS STEEL FASTENERS | POLY-PILE WEATHERSTRIPPING |
| PLASTIC GUIDES, BLOCKS, CAPS | EXTRUDED VINYL GLAZING GASKET |

DW SERIES CONFIGURATIONS :

- * MODEL NUMBERS VARY
- * OX XO (X=SLIDING O=FIXED)
- * NO TRACK UNDER SLIDING PANEL
- * 48" W x 36" H OPENING SIZE
- * 47-1/2" W x 35-3/4" H FRAME SIZE
- * 21-7/8" W x 32-7/8" H SERVICE OPENING

OPTIONAL ACCESSORIES :

- STOCK DW KEYLOCK
- BURGLAR BAR (CUSTOM)



C.R.LAURENCE CO. TRANSACTION HARDWARE
 2503 E. Vernon Avenue, Los Angeles, C.A 90058-1897
 PHONE: (800)-421-6144 Ext.17760 FAX: 800-587-7501
 transaction@crlaurence.com www.crlaurence.com

CRL DELUXE SLIDING SERVICE WINDOW

MANUAL OPEN / MANUAL CLOSE

PAGE: 14.2

REV2: 06/14/24

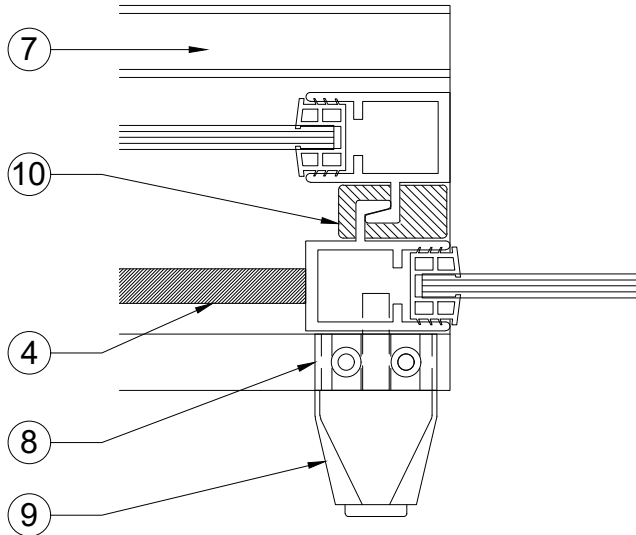
DATE: 05/23/24

SCALE: 1"=1'-0"

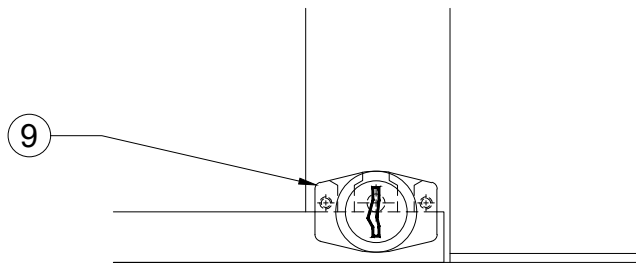
DRAWN BY: RPD

CRL DELUXE SLIDING SERVICE WINDOW KEYED LOCK OPTION AND STANDARD FEATURES

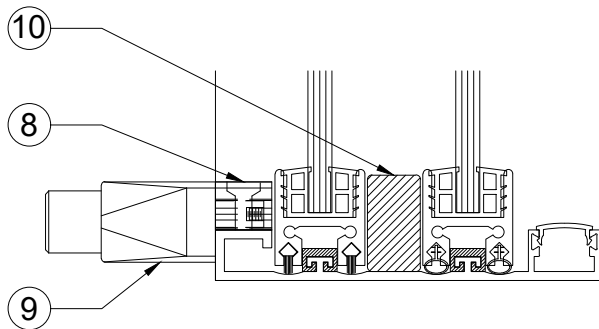
DW4836 (OX OR XO)
(NO SCREEN / HALF TRACK)



* KEYED LOCK PLAN

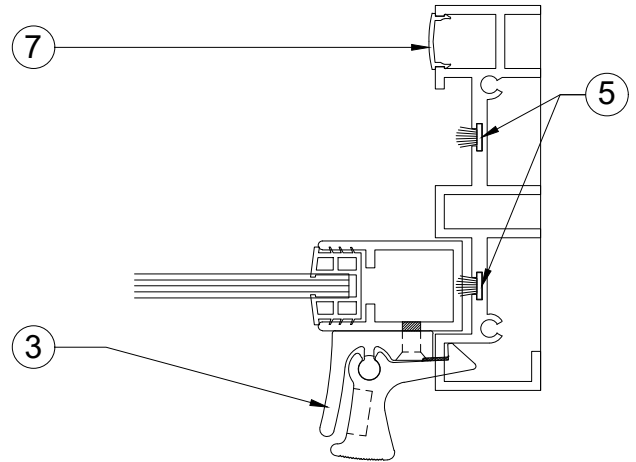


* KEYED LOCK ELEVATION

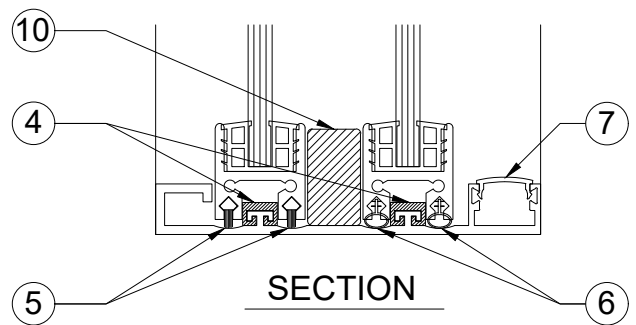
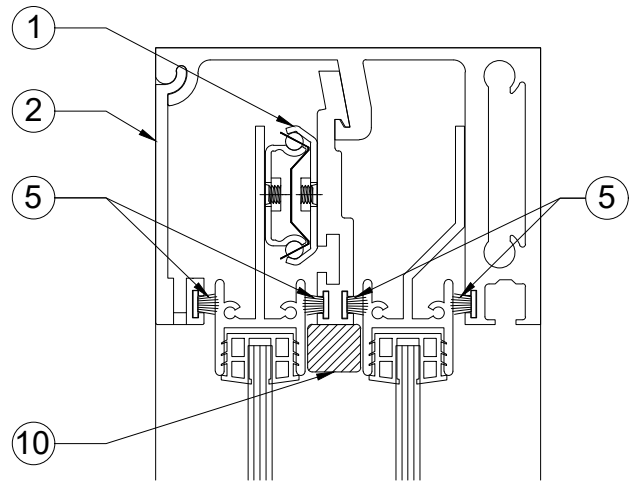


* KEYED LOCK SECTION

* KEY LOCK MUST BE SPECIFIED



PLAN @ HANDLE



SECTION

- | | |
|-------------------------|---|
| 1. HEAVY DUTY CARRIER | 7. SCREEN RACE CAP |
| 2. HEADER ACCESS PANEL | 8. ADAPTER BLOCK |
| 3. SELF-LATCHING HANDLE | 9. CRL CAT # 0911BCKA
KEYED PLUNGER LOCK |
| 4. VINYL GUIDES | 10. FILLER BLOCKS |
| 5. WEATHERSTRIPPING | |
| 6. BULB SEAL | |

* LOCK ADAPTERS VARY PER MODEL

REV2: 06/14/24

DATE: 05/23/24

SCALE: 6"=1'-0"

DRAWN BY: RPD

CRL

C.R.LAURENCE CO. TRANSACTION HARDWARE

2503 E. Vernon Avenue, Los Angeles, C.A 90058-1897
PHONE: (800)-421-6144 Ext.17760 FAX: 800-587-7501
transaction@crlaurence.com www.crlaurence.com

CRL DELUXE SLIDING SERVICE WINDOW

MANUAL OPEN / MANUAL CLOSE

PAGE: 14.3