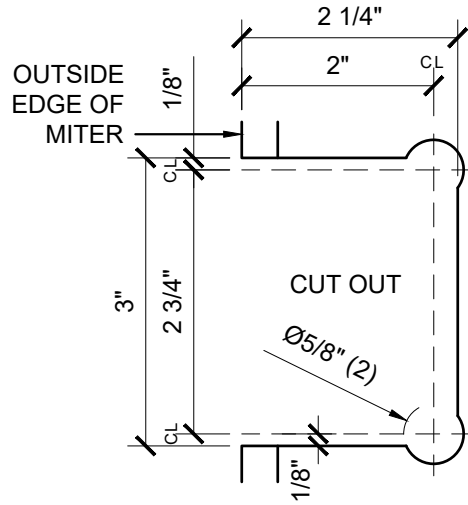
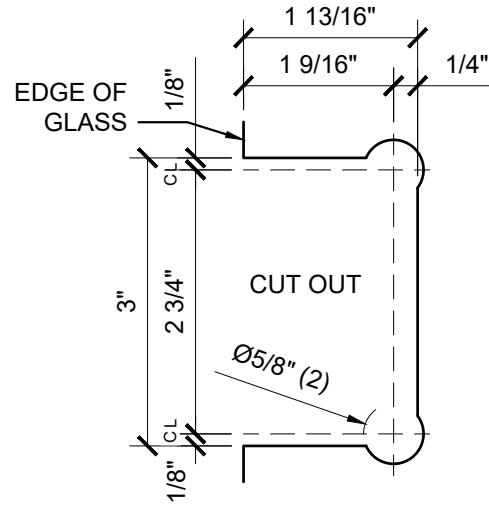


USE OF GASKETS

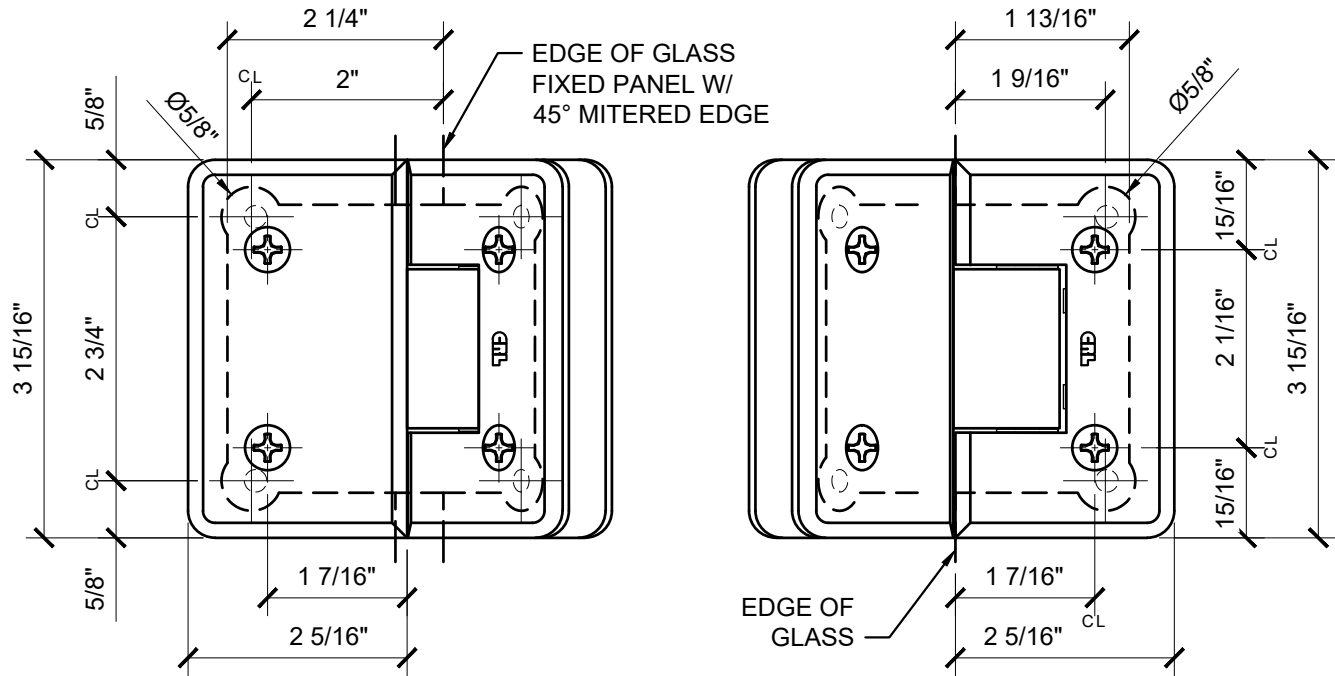
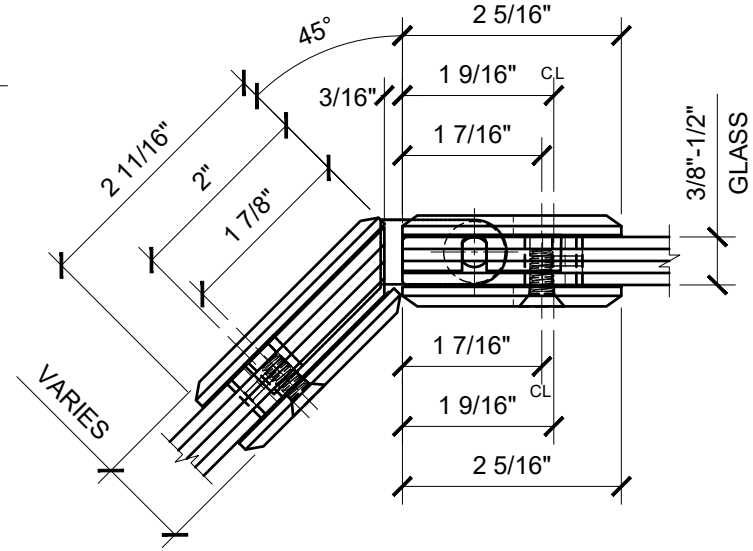
FOR 3/8" (10mm) GLASS: USE ONE THICK GASKET ON EACH SIDE  
 FOR 1/2" (12mm) GLASS: USE ONE THIN GASKET ON EACH SIDE



FIXED PANEL TEMPLATE



DOOR TEMPLATE



C0L045XX - CRL COLOGNE SERIES 135° GLASS TO GLASS HINGE

CATALOG NUMBER	FINISH
C0L045CH	CHROME
C0L045BN	BRUSHED NICKEL
C0L045PN	POLISHED NICKEL
C0L0450RB	OIL RUBBED BRONZE
C0L045BR	BRASS
C0L045MBL	MATTE BLACK
C0L045SB	SATIN BRASS
C0L045SN	SATIN NICKEL
C0L045BBRZ	BRUSHED BRONZE
C0L045SC	SATIN CHROME
C0L045ABR	ANTIQUE BRASS
C0L045BL	BLACK W/ CHROME ACCENTS
C0L045BSC	BRUSHED SATIN CHROME
C0L045GB	GOLD PLATED
C0L045AW	ALL WHITE
C0L045ABN	ANTIQUE BRUSHED NICKEL
C0L045ABRZ	ANTIQUE BRONZE
C0L045ABC0	ANTIQUE BRUSHED COPPER
C0L045GM	GUN METAL
C0L045CBA	CHROME W/ BRASS ACCENTS
C0L045BC0	BRUSHED COPPER
C0L045ABL	ALL BLACK
C0L045WC	WHITE W/ CHROME ACCENTS

DATE: 11/30/17  
 SCALE: 6"=1'-0"  
 DRAWN BY: VM

DESCRIPTION: CRL C0L045  
 COLOGNE SERIES  
 135° GLASS TO GLASS HINGE

C.R.LAURENCE CO. ARCHITECTURAL PRODUCTS  
 2503 E. Vernon Avenue, Los Angeles, C.A 90058-1897  
 PH (800)-421-6144 FX: 800-587-7501 www.crlaurence.com

