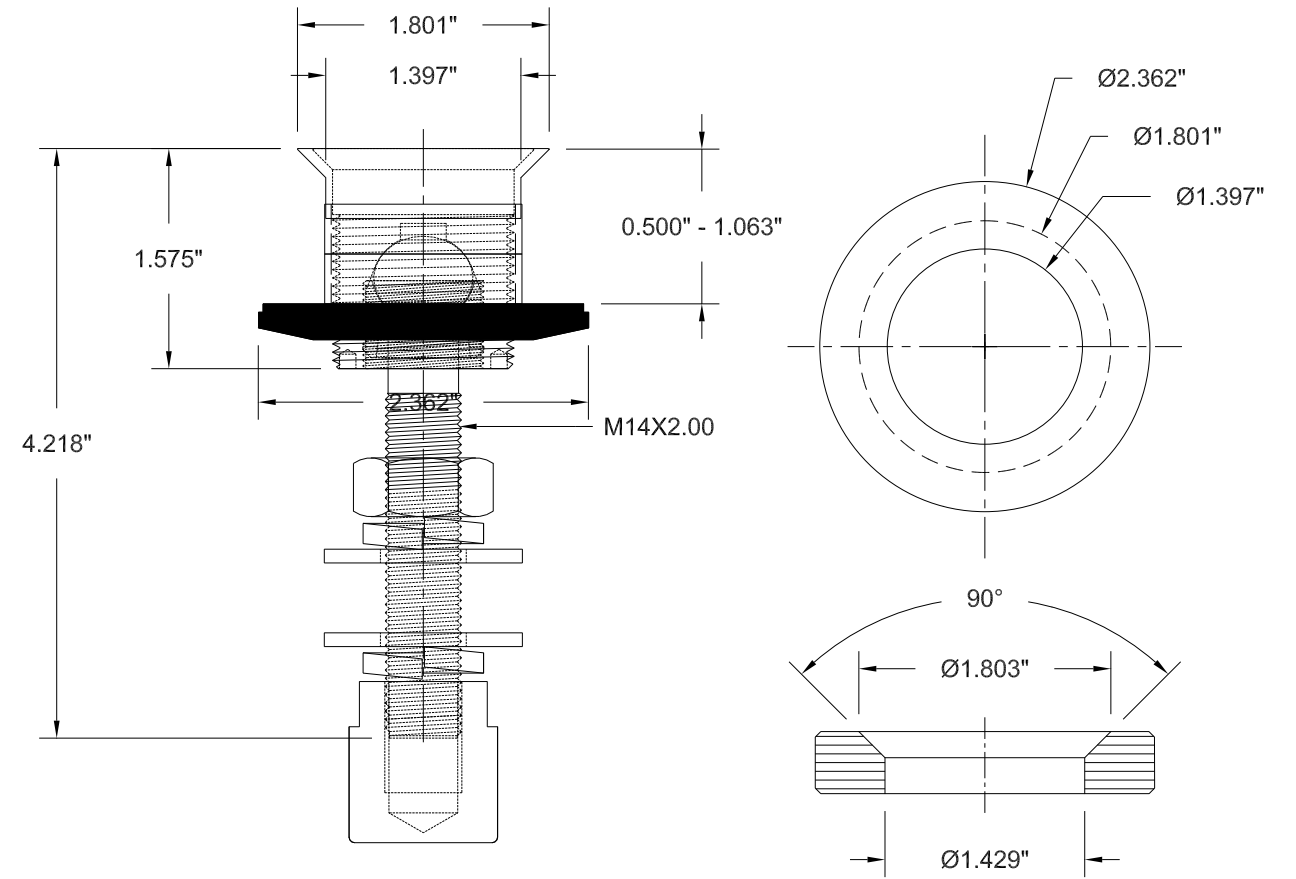


CAP MOUNT



FLUSH MOUNT

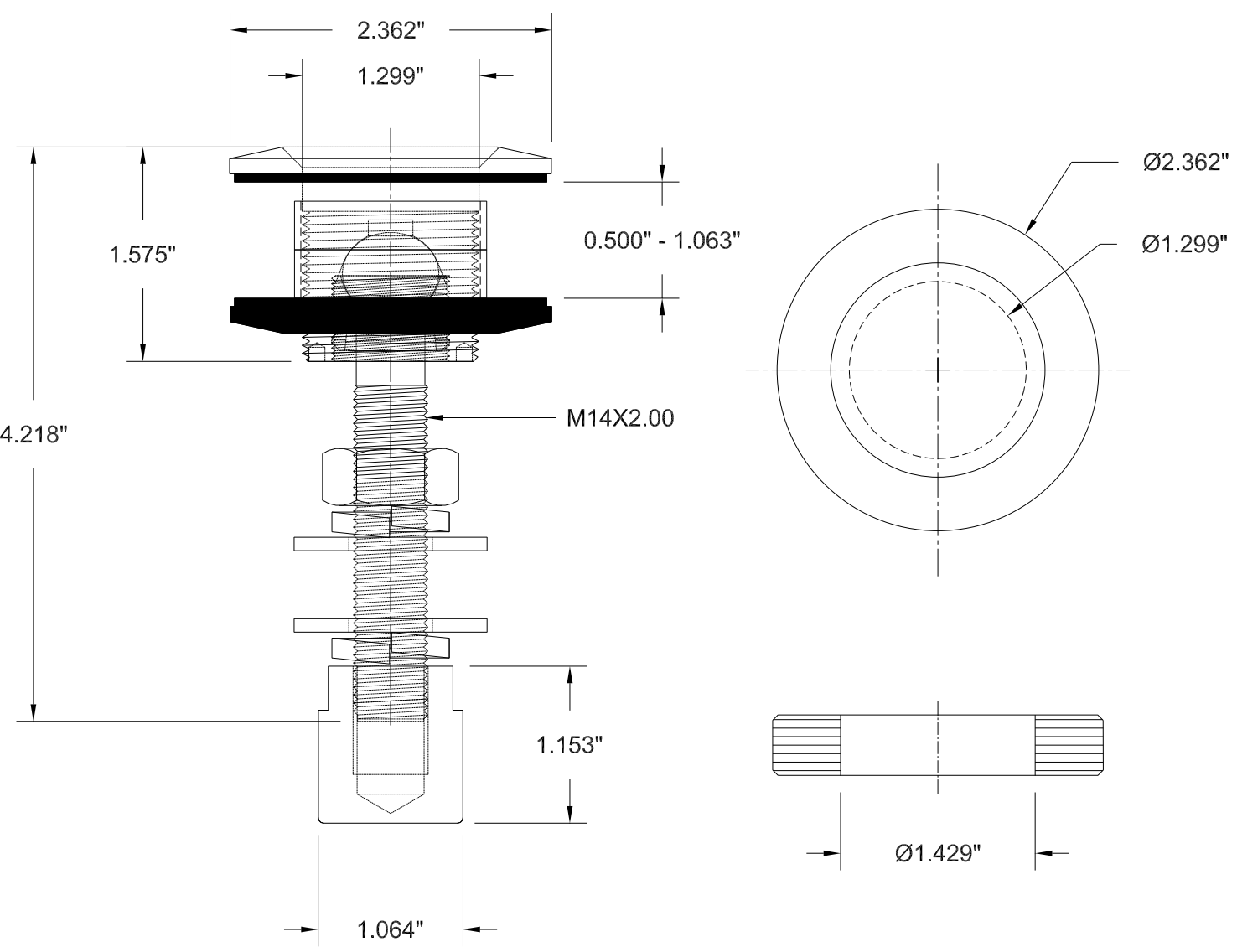
**CRL**<sup>®</sup>

2503 E. Vernon Avenue, Los Angeles, C.A 90058-1897  
PH (800)-421-6144 FX: 800-587-7501 www.crlaurence.com

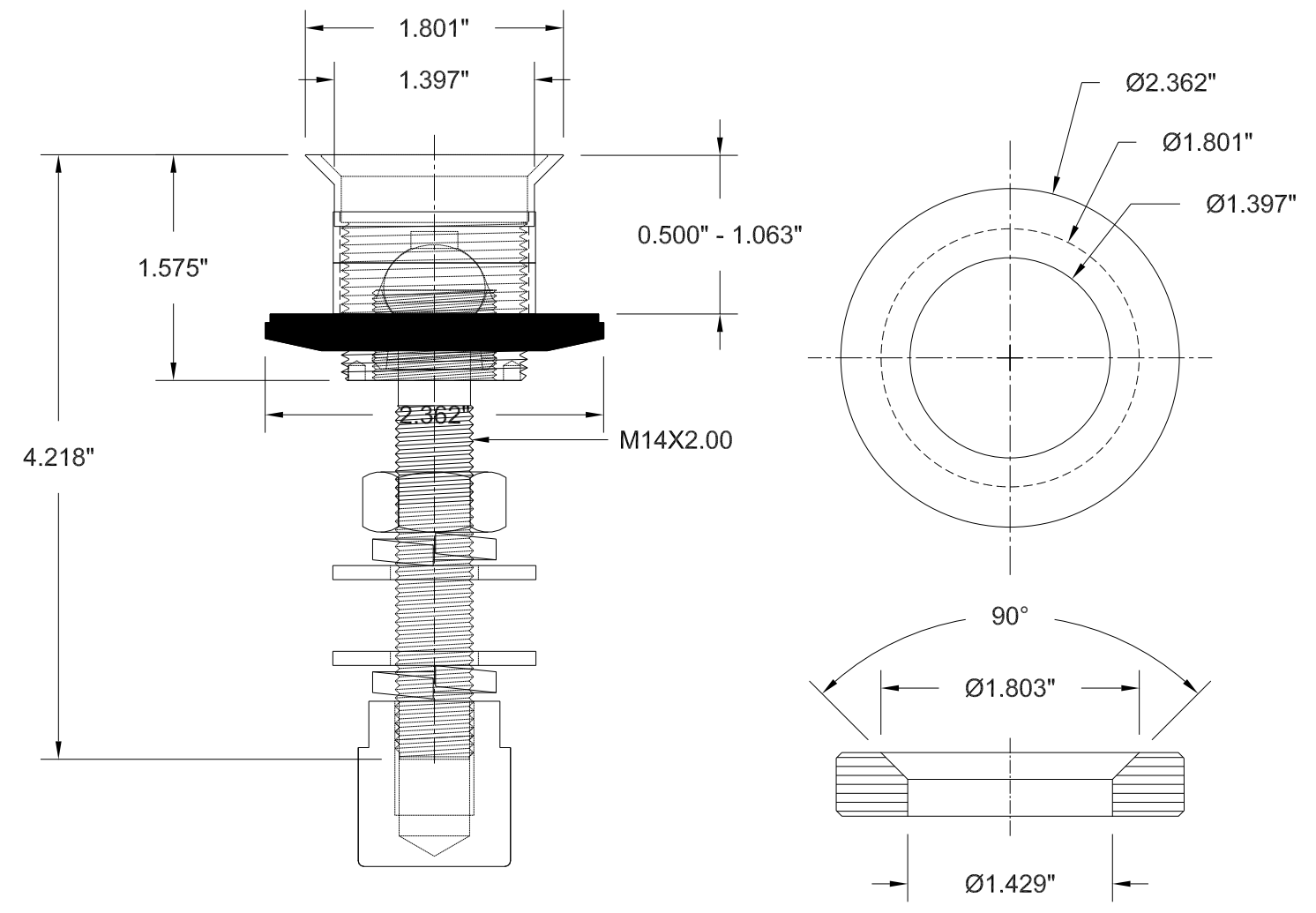
PART  
NUMBER

**HSF14**

CRL SWIVEL COMBINATION FASTENER  
FOR 1/2" - 1-1/16" TEMPERED GLASS



CAP MOUNT



FLUSH MOUNT