

Norton®

Since 1880 • The American Original™



7900 Series Institutional Overhead
Concealed Door Closers

An ASSA ABLOY Group company

ASSA ABLOY

OVERVIEW

Introduction

Overhead concealed closers provide an aesthetically appealing way to close a door. In situations where a closer is needed but concealment in the frame header is required or desired, the Norton® 7900 closer is the ideal solution for door control. Once installed, only the solid one-piece arm is visible when the door is open; therefore, this unit provides a high degree of vandal resistance. When the door is closed, the closer, arm and slide track are fully concealed. For applications where concealment is required and security is the main concern, the 7970 should be used.

This heavy-duty, durable closer package now includes a steel track, steel slider, polymer slider pads and dress plates. The steel track and slider offer additional strength to the unit, while the polymer pads provide quiet operation and easy assembly. Standard features include rack and pinion operation, adjustable sweep and latch, and adjustable backcheck cushioning and positioning.

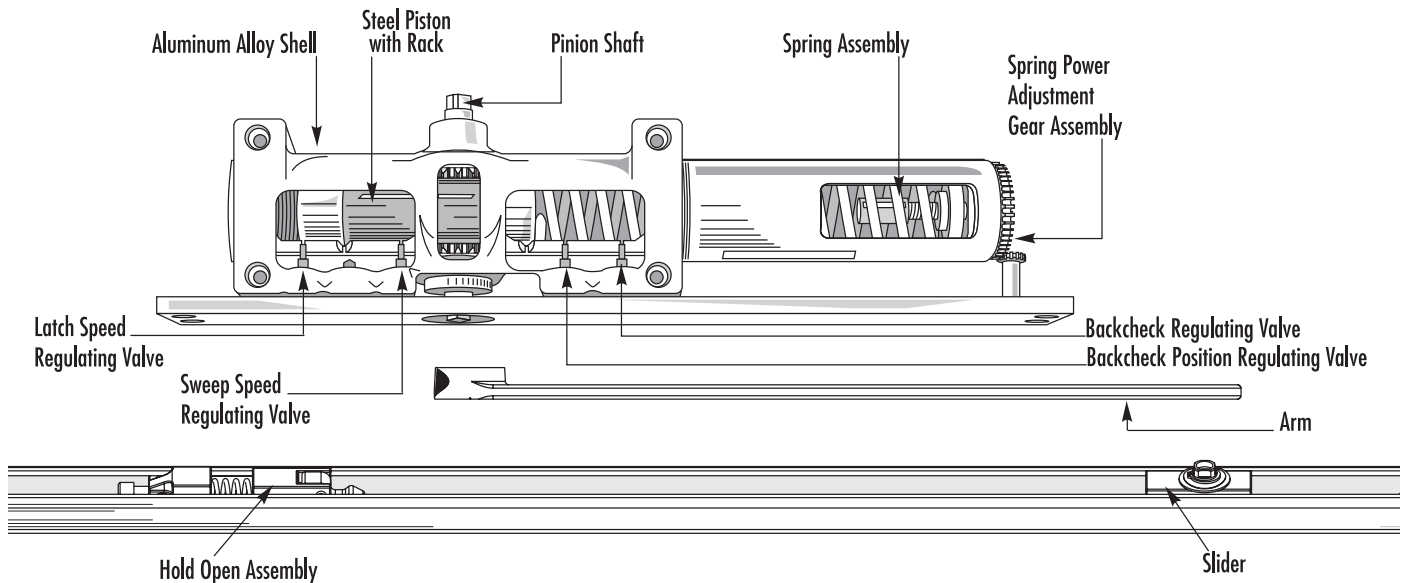
The 7900 Overhead closers are best suited for high-profile applications such as office buildings or conference centers. The 7970 security closers offer the necessary concealment and tamper resistance required in detention and psychiatric facilities. Used in conjunction with the door position switch (DPS) it provides the ability to monitor door status remotely.

Table of Contents

Overview	2-3
How to Order	4
Door Size and Finishes	5
Features	6
Optional Features	7
Suggested Specifications	8
Technical Details	9-12
Parts List	13-19

OVERVIEW

7900H shown



7900/7970 Feature Overview

- Steel track
- Steel slider
- Polymer slider pads
- Fully adjustable, multi-point hold open (7900)
- Dress plates furnished standard
- Shock absorbing door stop
- Aluminum alloy shell
- Rack & pinion operation
- Non-critical valves
- Adjustable sweep speed
- Adjustable latch speed
- Adjustable backcheck cushioning

- Adjustable backcheck positioning
- Delayed action option
- Enhanced backcheck option
- Power Choices
 - Sized closer (4, 5, 6)
 - Multi-size closer (OBFI, OBFE)
- ANSI A156.4, Grade 1
- Models available to meet ADA/A117.1
- UL listed
- Torx® screws furnished standard (7970 only)
- Door Position Switch (DPS) option (7970 only)
- 10 year limited warranty

HOW TO ORDER

Use the following outline to select the correct Catalog Number for the closer you require.

7900 Door Closer

<p>Multi-sized</p> <p>OBFI - Interior. OBFE - Exterior.</p> <p>4 - Size 4 spring. 5 - Size 5 spring. 6 - Size 6 spring.</p>					<p>H - Hold open DA - Adjustable Delayed Action Closing. EBC - Enhanced Backcheck 7900 FB - Fire Block for 20-minute Fire Door Installations.</p>				
<p>790 FIRST, SECOND & THIRD DIGITS Defines closer series</p>		<p>5 FOURTH Closer power size</p>	<p>H SUFFIXES Specifies some options</p>		<p>R HAND LH or RH</p>	<p>689 FINISH</p>			

7970/7970DPS Security Door Closers

<p>Multi-sized</p> <p>OBFI - Interior. OBFE - Exterior.</p> <p>4 - Size 4 spring. 5 - Size 5 spring. 6 - Size 6 spring.</p>					<p>DA - Adjustable Delayed Action Closing. EBC - Enhanced Backcheck 7970 FB - Fire Block for 20-minute Fire Door Installations. 7970 DPSFB - Fire Block for 20-minute Fire Door Installations.</p>				
<p>797 FIRST, SECOND & THIRD DIGITS Defines closer series</p>		<p>5 FOURTH Closer power size</p>	<p>DPS Door Position Switch Optional feature</p>	<p>DA SUFFIXES Specifies some options</p>		<p>R HAND LH or RH</p>	<p>689 FINISH</p>		

Packaging information:

All Norton® Series 7900 Closers are packed one to a box, with an arm and a slide track, one hex key for control valve adjustment (and hold open tension adjustment), one hex key for arm to track attachment, one hex key for anchoring cushion stop in track. Installation instructions and both wood screws and metal screws for mounting are included.

7900 Series Overhead Concealed Closers

DOOR SIZE

Series 7900/7970 Door Sizing

Maximum Door Size Wood or Metal Inches (Centimeters)		Model Number	
Interior	Exterior	Non-Hold Open	Hold Open
32 (81)	–	7904/7974	7904H
38 (97)	32 (81)	7905/7975	7905H
48 (122)	38 (97)	7906/7976	7906H
Accessibility Code Compliance			
48 (122)	–	7900BFI/7970BFI	7900BFI-H
–	36 (91)	7900BFE/7970BFE	7900BFE-H

Door sizing information is based on installation on standard weight doors hung on anti-friction hinges or pivots and operating under normal conditions. For doors in excess of 7'6" or on extra-heavy doors, where draft conditions exist or where door swings beyond 150°, use next larger size closer.

Ball-bearing or anti-friction hinges or pivots are always recommended for use with doors having door closers. They are required for fire door applications, except where a door manufacturer has a specifically listed fire door assembly.

When requesting templates, specify door hanging hardware (i.e. B= butt hinges, CP= center hung pivots, OP= offset pivots).

FINISHES

Sprayed Finishes

Description	BHMA Designation	Complements the following finishes	Old Norton Designation
Aluminum	689	628, 625, 629, 630, 651, 652	AL
Statuary Bronze	690	640, 613	STAT
Dull Bronze	691	612, 637, 639	DB
Black	693	315	315
Medium Amber	694	312	312
Gold	696	605, 606, 632, 633	GB

Plated Finishes

Description	BHMA Designation	Complements the following finishes	Old Norton Designation
Bright Brass	605E	-	US3
Satin Brass	606E	-	US4
Bright Chrome	625E	-	US26
Satin Chrome	626E	-	US26D

Order sprayed and plated finishes by BHMA designations.

FEATURES

Concealed Transom Mounting:

Closer is concealed in the header of hollow metal, aluminum or wood frames. Installation requires a minimum 4" (102mm) high frame header. A removable frame stop furnished by the frame supplier is required where doors are less than 2" (51mm) thick. A dust/grout box 2" x 4" (51 x 102mm) x required length furnished by the frame supplier where conditions warrant the need for one. Consult factory for wood header installations.

Door Thickness: 1-3/4"- 2-1/4" (44-57mm) thick doors

Top Rail Mounted Slide Track:

Slide track is mounted into a recess prepared in the top rail of wood, aluminum or hollow metal doors. Depth of cutout at top of door 1-3/16" (30mm).

Fire Block Door Liner:

Available for use in 20-minute fire door assemblies where recognized by the local authority having jurisdiction.

Standard Door Hanging Hardware:

Closer and slide track can be installed on doors hung with butt hinges, offset pivots or center pivots. Hinges or pivots furnished by others.

Concealed Arm:

Closer arm is concealed when the door is closed. Requires a 3/8" (9.5mm) deep stop side door cutout for arm clearance.

Shock Absorbing Door Stop:

Non-hold open and hold open units have a shock-absorbing adjustable position stop in the slide track. Use of auxiliary door stop is always recommended, not supplied.

Hold Open:

Sliding mechanism in channel changes position of hold open. The range of hold open points is dependent upon how the door is hung:

- 85° to 110° for doors hung on butt hinges
- 85° to 95° for doors hung on offset pivots
- 85° to 100° for doors hung on center pivots

Adjustable Hold Open Tension:

Hold Open tension can be increased or decreased by adjusting the tension on the slide track spring with a hex-key drive adjusting screw; or the hold open function can be totally eliminated by this same means.

Aluminum Alloy Shell:

Series 7900 closer bodies are constructed of a special aluminum alloy carefully selected to accommodate individual closer characteristics and operating conditions.

Rack & Pinion Operation:

A smooth power transmission through entire opening and closing cycle is provided by a long addendum gear form.

Spring Power Adjustment:

- 50% power adjustment for closer sizes 4, 5 and 6. Each closer can be adjusted by 50% over the minimum closing force for each size.
- Multi-sized power adjustment for closer sizes BFI or BFE: BFI adjustable for sizes 1 thru 4 to meet Accessibility Code guidelines. BFE adjustable for sizes 3 thru 6.

Adjustable Sweep Speed:

An independent, hex-key operated regulating valve permits adjustment of the general closing speed.

Adjustable Latch Speed:

An independent, hex-key operated regulating valve permits adjustment of the door's speed for approximately the last 5 degrees of the closing cycle.

Adjustable Backcheck Cushioning:

An independent, hex-key operated regulating valve provides an adjustable hydraulic cushion to the door opening speed toward the end of the opening cycle.

Adjustable Backcheck Positioning:

An independent hex-key operated regulating valve allows adjustment of the point in the door's opening cycle at which backcheck cushioning takes effect. It provides a range of 20 degrees within which backcheck can be set.

Non-Critical Valves:

All control valves for sweep/latch speed, backcheck control and delayed action closing are non-critical and are adjusted by a standard 1/8" hex-key.

Non-Hold Open and Hold Open Arms:

Arm is 13" (330mm) long with an offset bend to permit door openings to 180 degree. Arm is handed. A special arm is furnished when hold open is required and the door is hung on center hung pivots. This straight arm is 16" long and non-handed.

Separate Hinges/Pivots:

Door is hung with Butt hinges, 3/4" Offset Pivots or Center Pivots (by others). There is no need to open the door closer packaging to supply the hinges/pivots to the job or the door supplier. This eliminates problems with coordination of the hardware with other trades and reduces the probability of lost hardware.

OPTIONAL FEATURES

Enhanced Backcheck:

Adjustable backcheck intensity beginning at approximately 15° of the door opening cycle. It is intended for use in situations where the standard backcheck beginning at approximately 75° of opening allows too much unrestricted door travel to obtain control of the door without the fear of peripheral damage to the door closer, door, frame, hinges or pivots; or adjacent walls or structures. Specify EBC when ordering. **Offered in lieu of standard backcheck an backcheck positioning.**

Door Position Switch (7970 only):

This switch is Single Pole Double Throw (SPDT) momentary contact, with one normally open and one normally closed set of contacts. The three switch terminals are wired to the integral conduit box for connection to incoming wiring. The switch and wiring are for operation with 6 to 24 VAC/DC systems.

• **Door Position Switch Adjustment:**

Can be made at the opening without removing the closer from the frame. The door position adjustment test socket is accessible during installation for easy adjustment of the switch cam. Test probes from a volt meter are inserted into the test socket while using 1/8" hex wrench to adjust the position switch adjustment.

- **Test Socket:** Volt meter or test light may be connected to test socket to test normally open circuit or normally closed circuit at the door opening. The door position switch may be adjusted at the same time without removal of closer from door.

• **Adjustable Delayed Action Closing:**

An optional hydraulic feature that adds a third speed range to the closing control cycle. This feature becomes effective when the door is opened and released at any point beyond 70 degrees. This delayed closing enables traffic to clear the opening before the normal closing cycle starts. This feature is advantageous to the handicapped, elderly or wheeled traffic. **Order by suffixing "DA" to the model number.**

Accessibility Code Closer:

These closers provide reduced opening forces to conform with barrier code requirements (as specified in ANSI A117.1) for the handicapped while still providing acceptable door control. **Specify 7900BFI, 7970BFI (interior doors), 7900BFE, 7970BFE (exterior doors).**

SUGGESTED SPECIFICATIONS

Closers for exterior (and) interior doors shall be full rack and pinion type with cast aluminum alloy shell. Closers shall be concealed in a 4" (102 mm) high frame header. The slide track shall be concealed in the top rail of the door. Hydraulic fluid shall be non-gumming and non-freezing. (Closer shall be provided with a fire-blocking door liner to permit installation in 20-minute wood fire door assemblies.) Closer shall have (four) (five) noncritical valves, hex key operated, to independently regulate sweep speed, latch speed, backcheck cushioning (and backcheck positioning) (and delayed

action closing). [Closers shall be sized units (4, 5 or 6)]. [Closers shall have power adjustment to permit a 50% increase in power over the minimum closing force for any size.] [Closers shall have multi-sized adjustment for (interior doors)(exterior doors)]. Closer shall conform to Accessibility Code specifications. Degree of stop shall be field adjustable.

Slide track shall have a built-in cushioning shock absorber mechanism. (Hold open mechanism shall be capable of release when holding function is not required. Hold open mechanism shall

have an adjustable range 85-110 of door opening and shall release with a manual pressure on the edge of the door in the direction of closer). Closer to be Norton® [Series 7900(BFI)(BFE) [Series 7970(BFI)(BFE) (with Norton® #790 Fire Block). 7970/7970DPS shall be supplied with Torx® lobular drive fasteners having a center security pin.

7970 DPS

Closer to have a door position switch to indicate "Door Open/Door Closed" condition.

STANDARDS

ADA

The 7900BFI, 7900BFE, 7970BFI & 7970BFE door closers are designed to comply with requirements of the Americans with Disabilities Act (A.D.A) and ANSI standard A117.1.

ANSI/BHMA/Federal Specs

All series 7900/7970 closers comply with ANSI A156.4 Grade 1 Specifications, Federal FF-H-121D Specifications (CO5030,CO5040, CO5050 w/o PT4B-4C-4D) and FF-H-121c Specifications (3210-3215-3220).

NYC Listing

These closers are also listed with New York City Materials and Equipment Acceptance Division (41-60-SM).

U.L. Listing

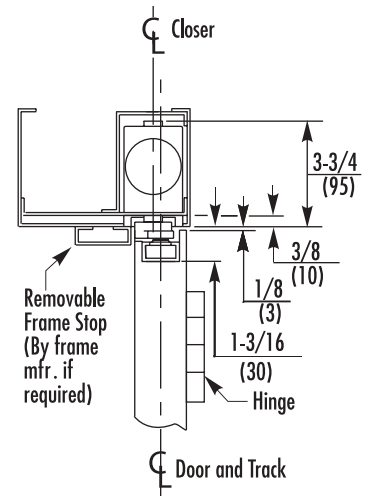
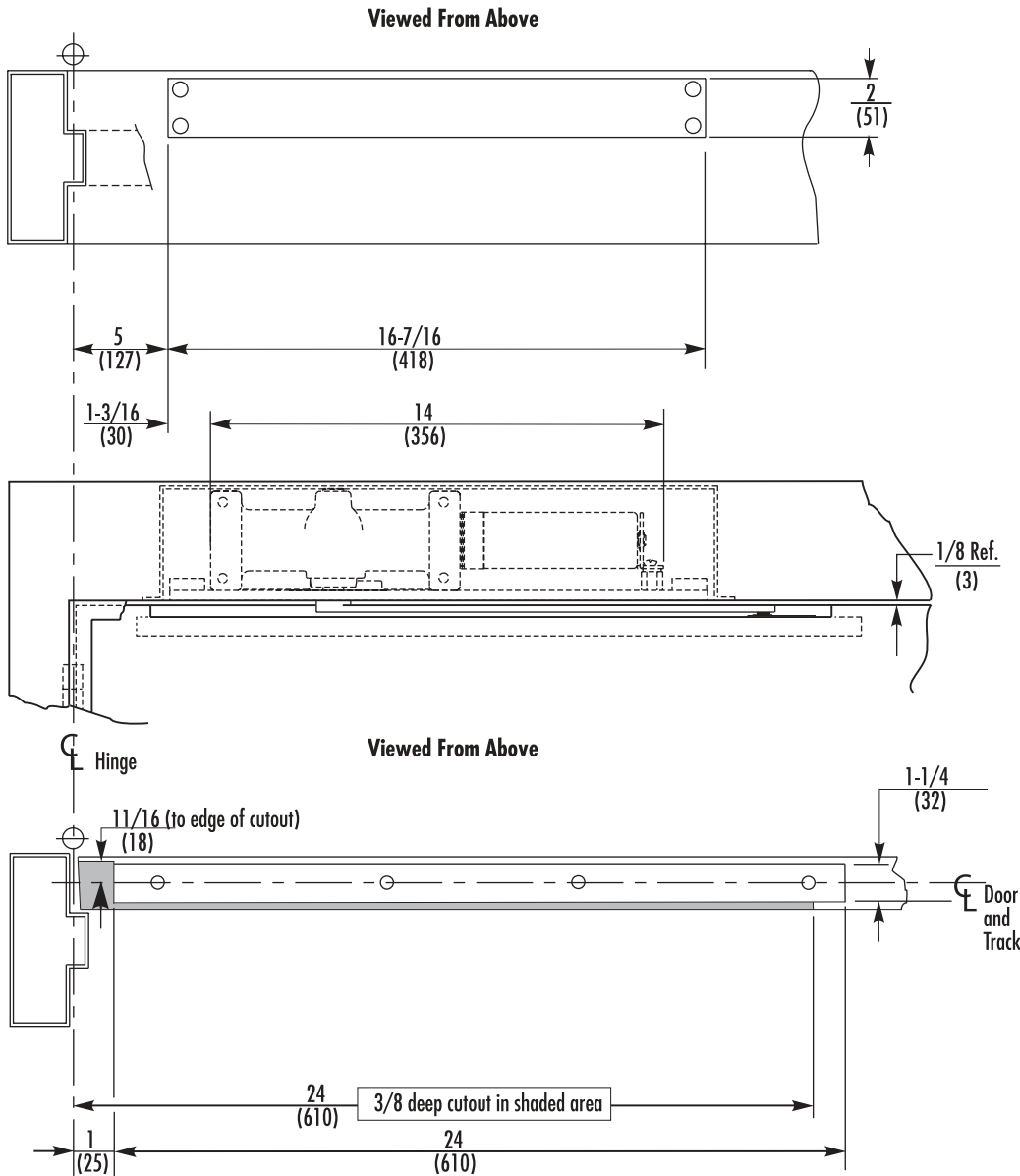
All Norton series 7900/7970 closers with non-hold open arms are listed by Underwriters' Laboratories Inc. and Underwriters' Laboratories of Canada for use on labeled fire doors.

WHI

The Norton Fire Block door liner is listed with Warnock Hersey International for use in 20-minute (wood) fire doors that are listed with WHI, when used with the Series 7900 door closer. The combination of a 7900 door closer installed in a UL labeled hollow metal door frame and a Norton Fire Block installed in a WHI labeled 20-minute (wood) fire door, which has the tested preparation, may qualify as a 20-minute fire door assembly. Always consult local authorities to determine the acceptance and proper application of fire door and hardware applications.

**BUTT HINGE
INSTALLATION**

Dimensions for center hung and offset pivots vary from those shown. Consult templates.



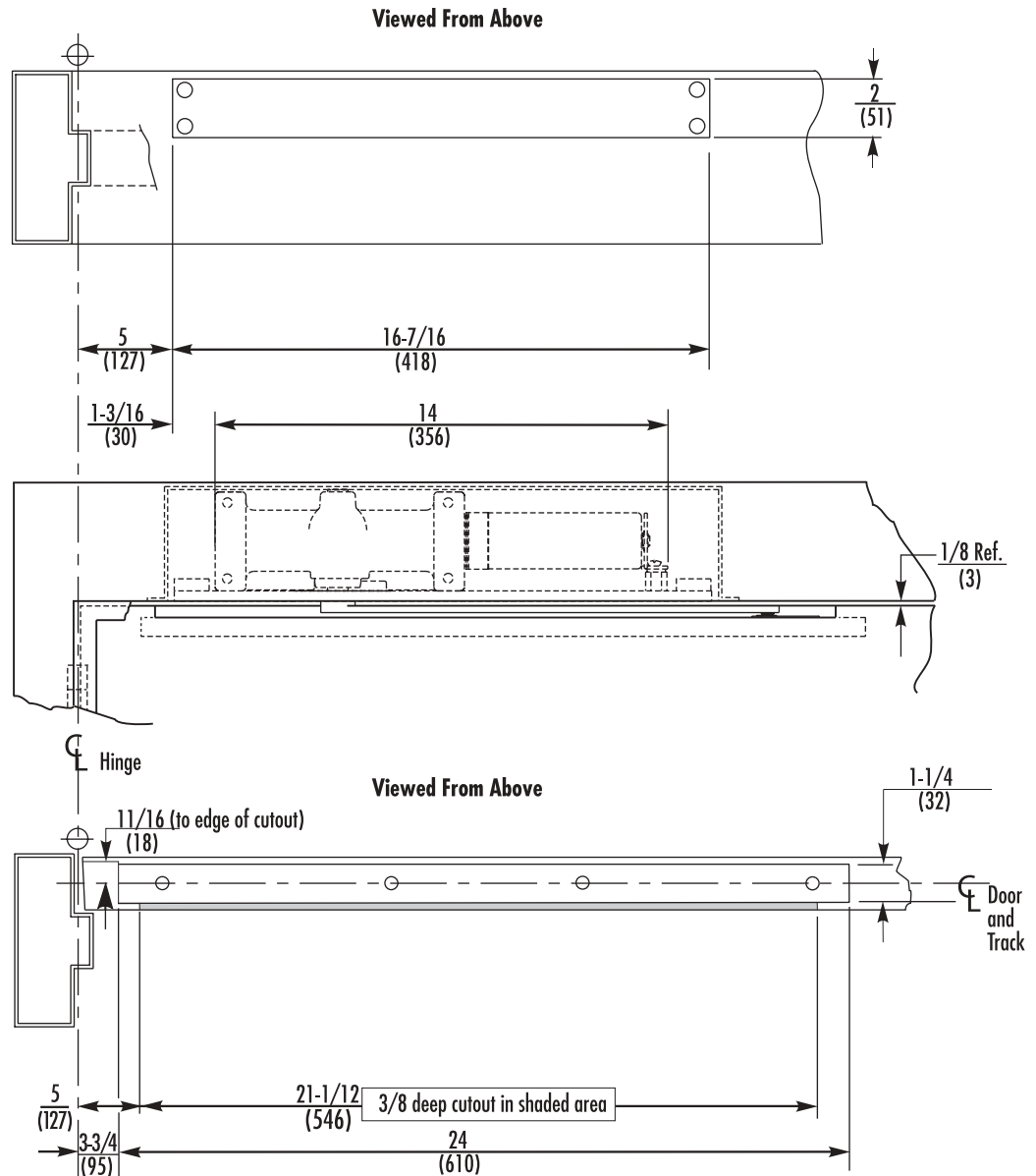
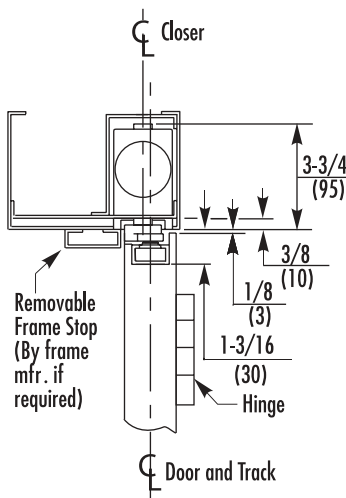
Note:

- Left hand door shown
- Minimum door width 27"
- Track 24" long
- 1-3/4" to 2-1/4" thick doors
- Maximum width hinge is 5"

Track Installation	Door Angle		Auxiliary Door Stop Required
	110°	180°	
Non-Hold Open	With Cushion and Stop Block	Without Cushion and Stop Block	Opening Greater than 110°

BUTT HINGE INSTALLATION

Dimensions for center hung and offset pivots vary from those shown. Consult templates.



- Note:**
- Left hand door shown
 - Minimum door width 29"
 - Track 24" long
 - 1-3/4" to 2-1/4" thick doors
 - Maximum width hinge is 5"

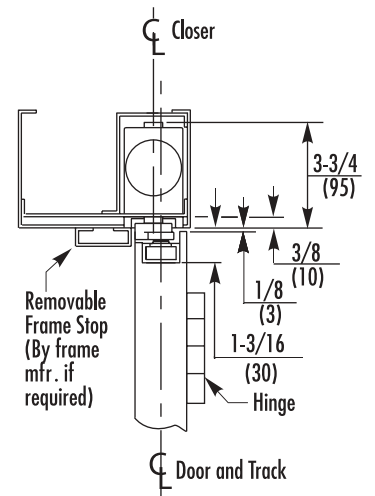
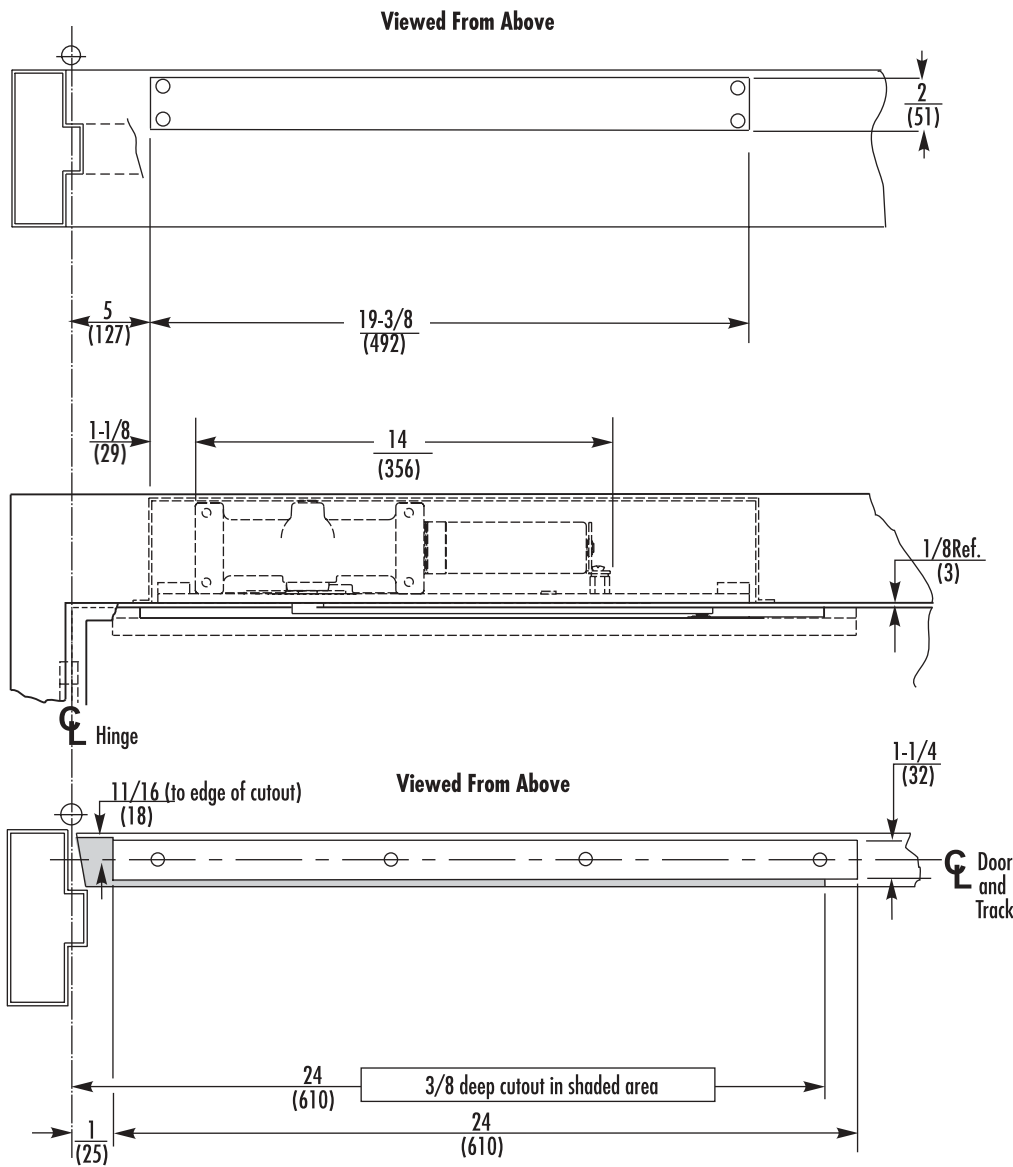
**Adjustable
Hold Opening**

85°-110°

Door will travel 5° beyond hold open point.

**BUTT HINGE
INSTALLATION**

**Dimensions for
offset pivots vary
from those shown.
Consult templates.**



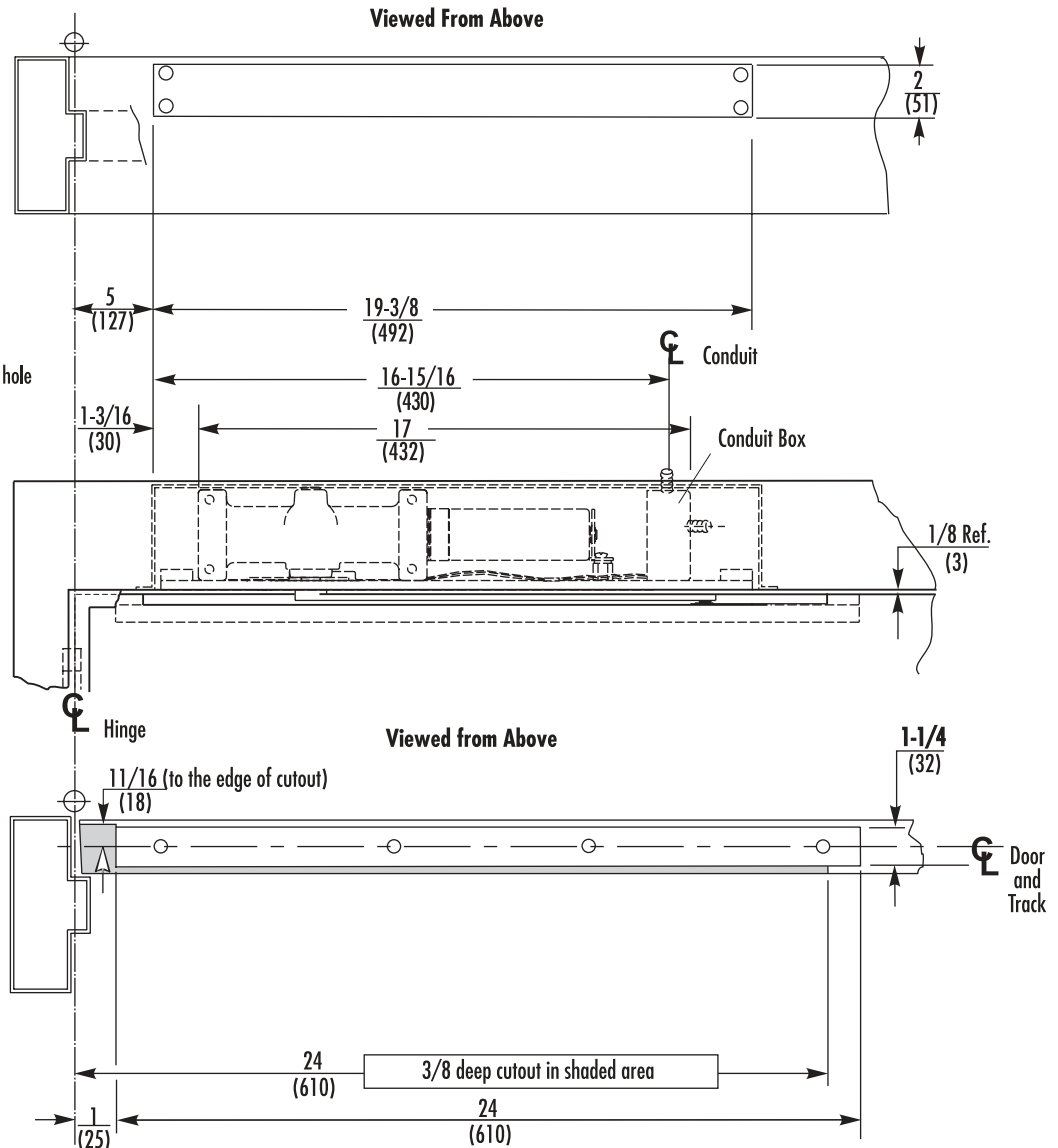
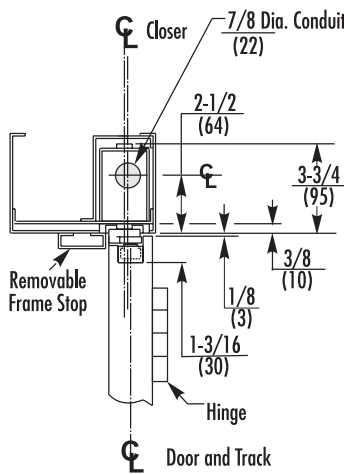
Note:

- Left hand door shown
- Minimum door width 27"
- Track 24" long
- 1-3/4" to 2-1/4" thick doors
- Maximum width hinge is 5"

Track Installation	Door Angle		Auxiliary Door Stop Required
	110°	180°	
Non-Hold Open	With Cushion and Stop Block	Without Cushion and Stop Block	Opening Greater than 110°

BUTT HINGE INSTALLATION

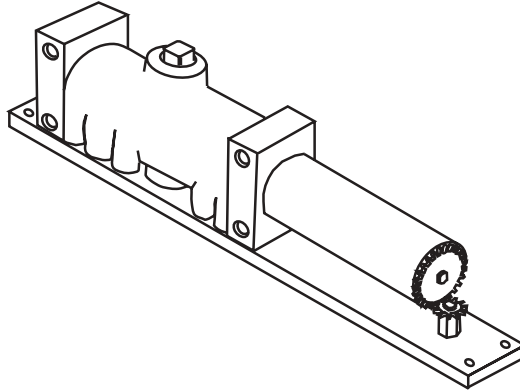
Dimensions for offset pivots vary from those shown. Consult templates.



- Note:**
- Left hand door shown
 - Minimum door width 27"
 - Track 24" long
 - 1-3/4" to 2-1/4" thick doors
 - Maximum width hinge is 5"

Track Installation	Door Angle		Auxiliary Door Stop Required
	110°	180°	
Non-Hold Open	With Cushion and Stop Block	Without Cushion and Stop Block	Opening Greater than 110°

**CLOSER
BODIES**



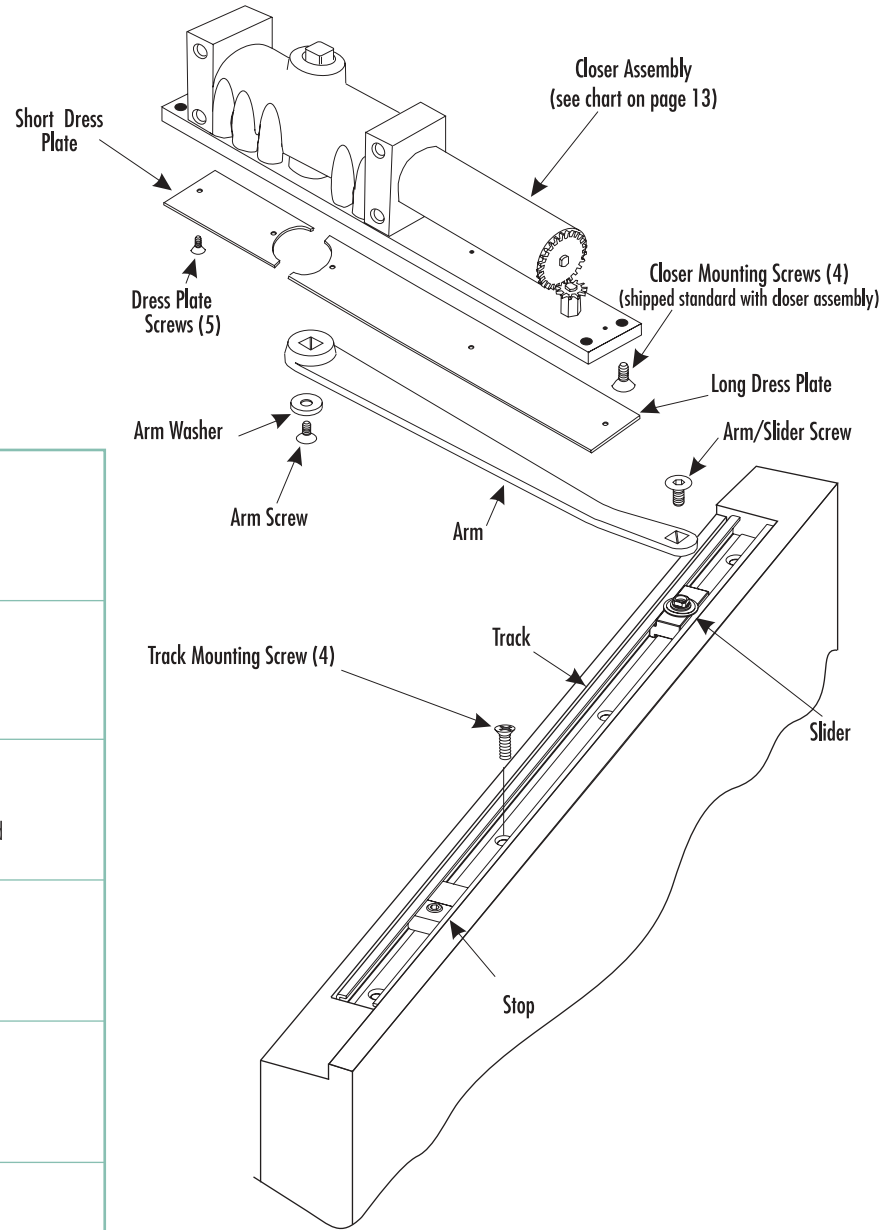
Model numbers are the same for non-hold open and hold open bodies.

Model Number	Delayed Action Model Number
7904LAP	7904DALAP
7905LAP	7905DALAP
7906LAP	7906DALAP
7900BFILAP	7900BFIDALAP
7900BFELAP	7900BFEDALAP

LAP= Less All Parts

Note: Specify HAND when ordering.

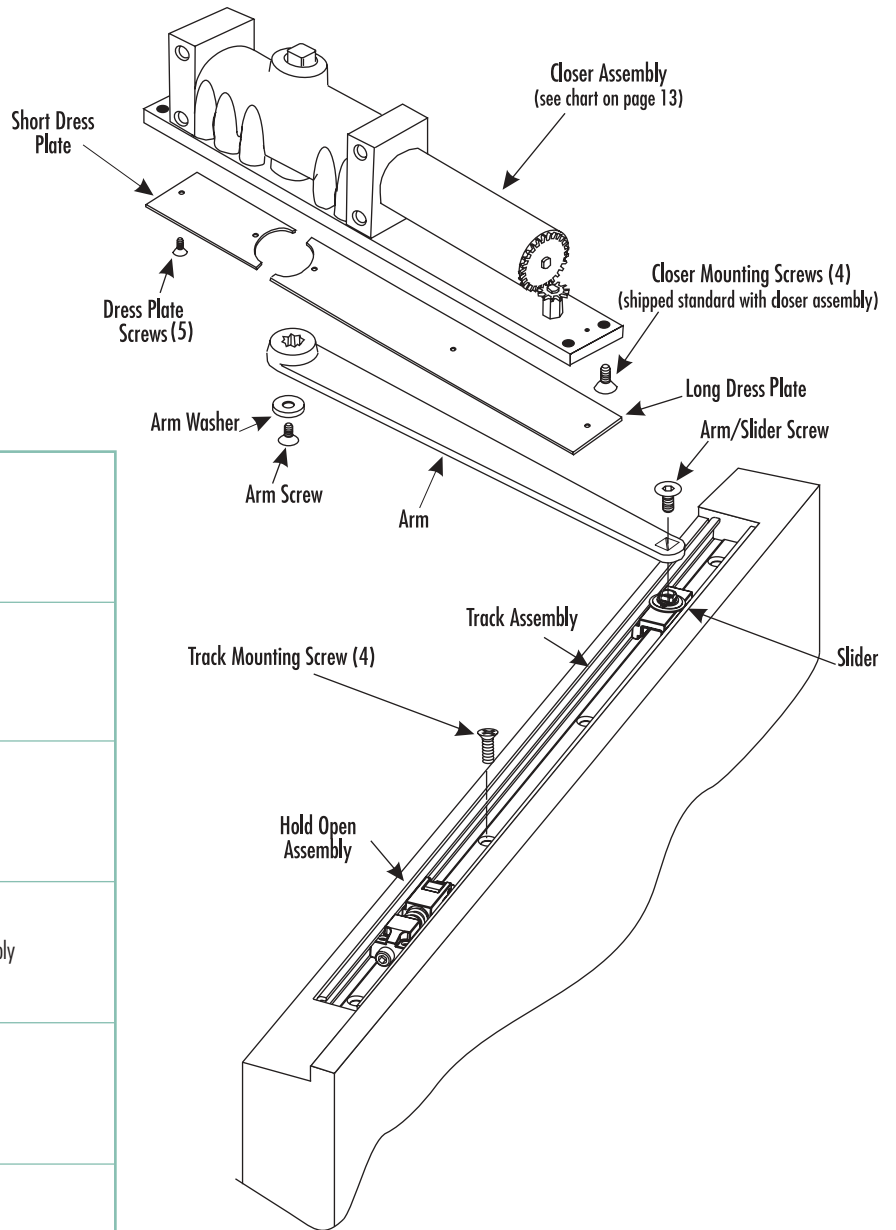
PARTS



Model Numbers	Description
7900PK	Dress Plate Kit (includes short dress plate, long dress plate and screws)
7950-1L 7950-1R	Arm Assembly - Left Hand Arm Assembly - Right Hand (includes arm, arm washer & screw and arm/ slider screw)
7950ST	Track Assembly (includes track, slider, stop and track mounting screws)
7900SLD	Slider (includes slider and arm/slider screw)
7900SP	Complete Screw Pack (includes all screws shown)

Specify finish when ordering.

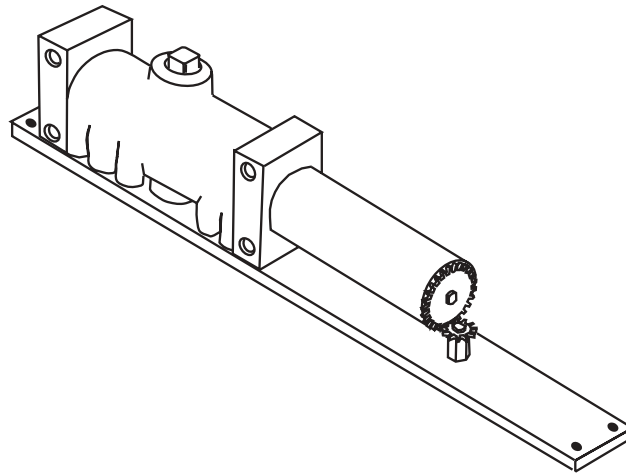
PARTS



Model Numbers	Description
7900PK	Dress Plate Kit (includes short dress plate, long dress plate and screws)
7950-3	Hold Open Arm Assembly - Non Handed (includes arm, arm washer & screw and arm/ slider screw)
7950STH	Hold Open Track Assembly (includes track, slider, hold open assembly and track mounting screws)
7900SLD	Slider (includes slider and arm/slider screw)
7950H	Hold Open Assembly
7900SP	Complete Screw Pack (includes all screws shown)

Specify finish when ordering.

CLOSER BODIES

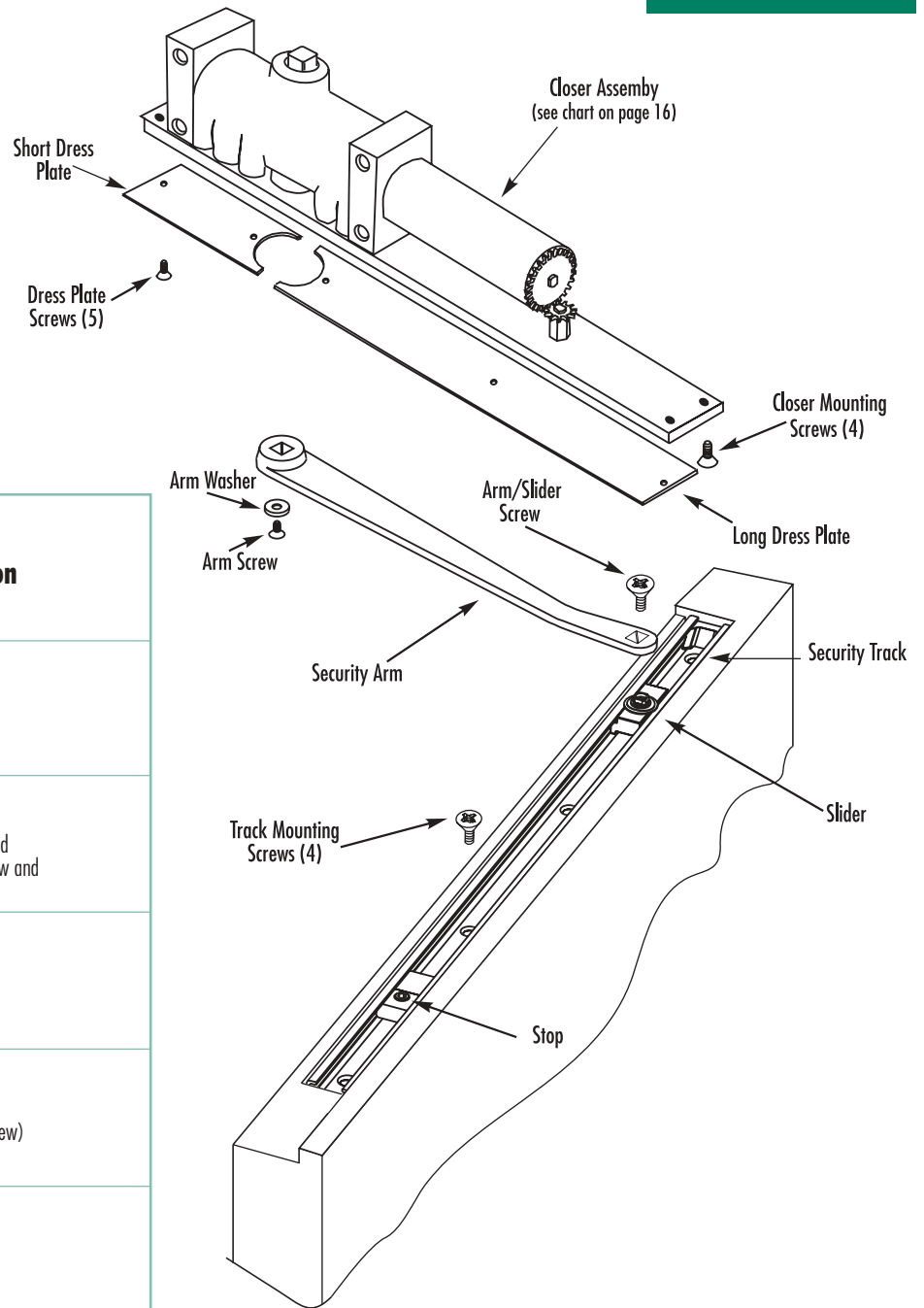


Model Number	Delayed Action Model Number
7974LAP	7974DALAP
7975LAP	7975DALAP
7976LAP	7976BFIDALAP
7970BFILAP	7970BFIDALAP
7970BFELAP	7970BFEDALAP

LAP= Less All Parts

Note: Specify HAND when ordering.

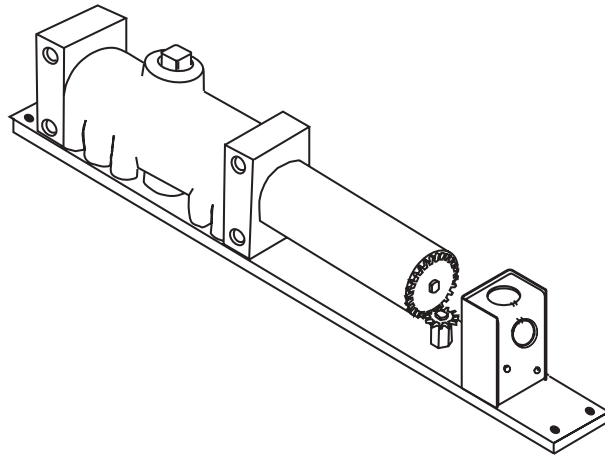
PARTS



Model Numbers	Description
7970PK	Dress Plate Kit (includes short dress plate, long dress plate and screws)
7970-1L 7970-1R	Security Arm Assembly - Left Hand Security Arm Assembly - Right Hand (includes arm, arm washer & screw and arm/ slider screw)
7970ST	Security Track Assembly (includes track, slider, stop and track mounting screws)
7970SLD	Slider (includes slider and arm/slider screw)
7970SP	Complete Screw Pack (includes all screws shown)
70TK	 Torx® Tool Kit

Specify finish when ordering.

CLOSER BODIES

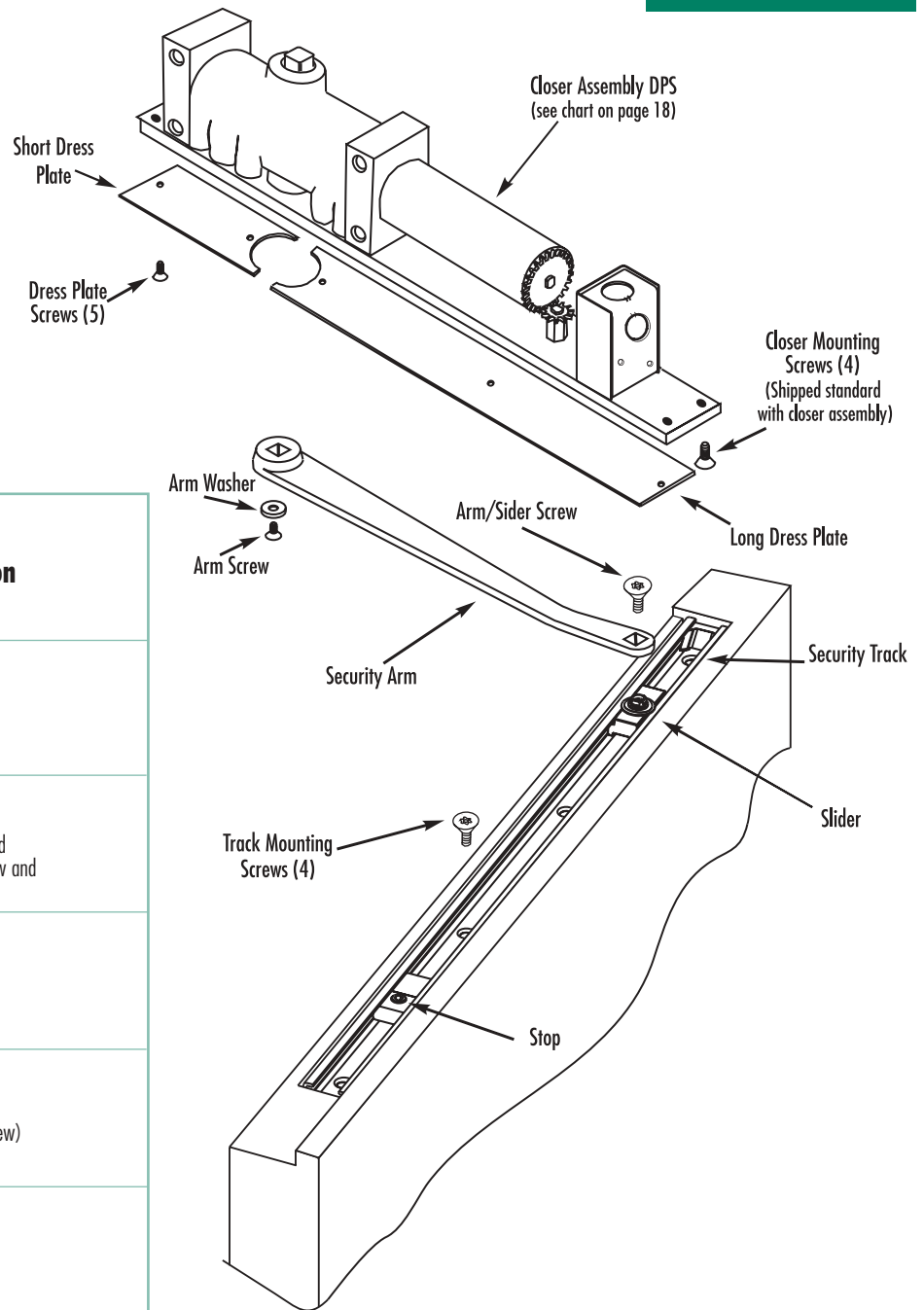


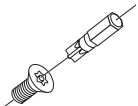
Model Number	Delayed Action Model Number
7974DPSLAP	7974DADPSLAP
7975DPSLAP	7975DADPSLAP
7976DPSLAP	7976DADPSLAP
7970BFIDPSLAP	7970BFIDADPSLAP
7970BFEDPSLAP	7970BFEDADPSLAP

LAP= Less All Parts

Note: Specify HAND when ordering.


PARTS



Model Numbers	Description
7970PK	Dress Plate Kit (includes short dress plate, long dress plate and screws)
7970-1L 7970-1R	Security Arm Assembly - Left Hand Security Arm Assembly - Right Hand (includes arm, arm washer & screw and arm/slider screw)
7970ST	Security Track Assembly (includes track, slider, stop and track mounting screws)
7970SLD	Slider (includes slider and arm/slider screw)
7970SP	Complete Screw Pack (includes all screws shown)
70TK	 Torx® Tool Kit

Specify finish when ordering.

Norton®



Only the best are imitated.

How flattering for us.

The most copied door closers on the planet.

Norton®
Since 1880 • The American Original™

Norton Door Controls

1902 Airport Road
Monroe, NC 28110
Telephone: 1.800.438.1951
Fax: 1.800.338.0965

Yale-Corbin Canada Ltd

6940 Edwards Boulevard
Mississauga, Ontario, Canada L5T 2W2
Telephone: 1.800.461.3007
Fax: 1.800.461.8989

For a complete listing of products and applications please visit our web site.

www.nortondoorcontrols.com

www.yalecorbin.on.ca

Norton® closers...still proudly manufactured in the United States with more than 75% U.S. content.

Norton® is a registered trademark of Yale Security Inc. All contents current at time of publication. Yale Security Inc. reserves the right to change availability of any item in this catalog, its design, construction, and/or its materials. Other products brand names may be trademarks or registered trademarks of their respective owners and are mentioned for reference purposes only. Copyright© 2001, 2004, Yale Security Inc. All rights reserved. These materials are protected under U.S. copyright laws.

The ASSA ABLOY Group is the world's leading manufacturer and supplier of locking solutions, dedicated to satisfying end-user needs for security, safety and convenience.

An ASSA ABLOY Group company

ASSA ABLOY

43081-MG-10.0-1/04R