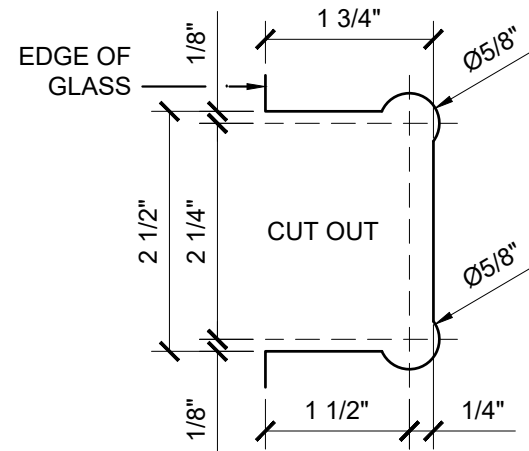
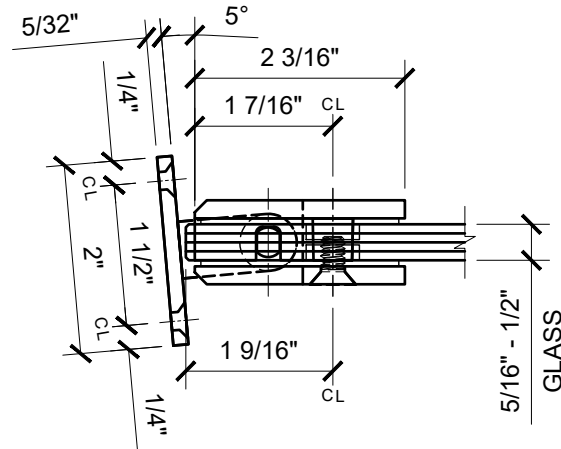


USE OF GASKETS

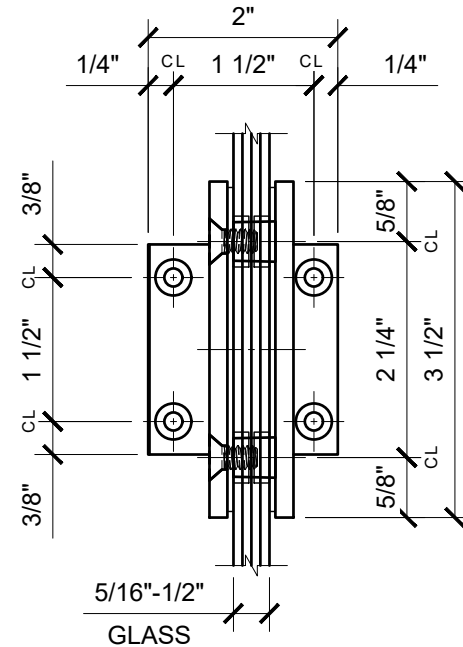
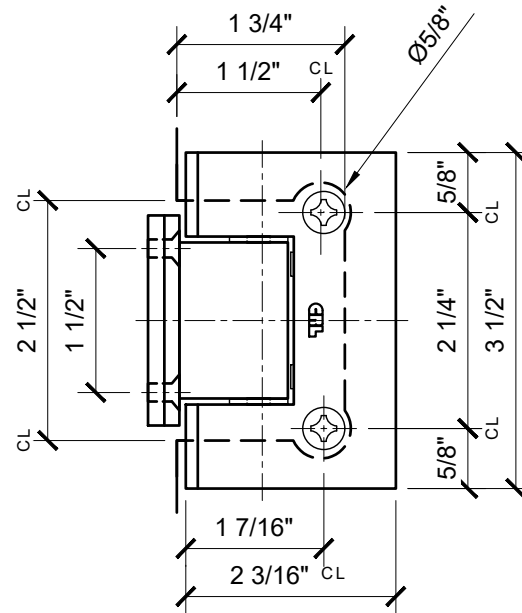
FOR 5/16" (8mm) GLASS: USE ONE THICK GASKET ON EACH SIDE

FOR 3/8" (10mm) GLASS: USE ONE THICK GASKET ON EACH SIDE

FOR 1/2" (12mm) GLASS: USE ONE THIN GASKET ON EACH SIDE



GLASS FABRICATION TEMPLATE



CATALOG NUMBER	FINISH
GEN574CH	CHROME
GEN574BR	BRASS
GEN574ORB	OIL RUBBED BRONZE
GEN574ABR	ANTIQUÉ BRASS
GEN574BN	BRUSHED NICKEL
GEN574BSC	BRUSHED SATIN CHROME
GEN574PN	POLISHED NICKEL
GEN574SB	SATIN BRASS
GEN574SC	SATIN CHROME

GEN574XX - CRL GENEVA SERIES WALL MOUNT SHORT BACK PLATE HINGE WITH 5 DEGREE PRE-SET

DATE: 6/27/17

SCALE: 6"=1'-0"

DRAWN BY: VM

DESCRIPTION: CRL GEN574

GENEVA SERIES WALL MOUNT SHORT BACK PLATE HINGE WITH 5 DEGREE PRE-SET

C.R.LAURENCE CO. ARCHITECTURAL PRODUCTS
 2503 E. Vernon Avenue, Los Angeles, C.A 90058-1897
 PH (800)-421-6144 FX: 800-587-7501 www.crlaurence.com

