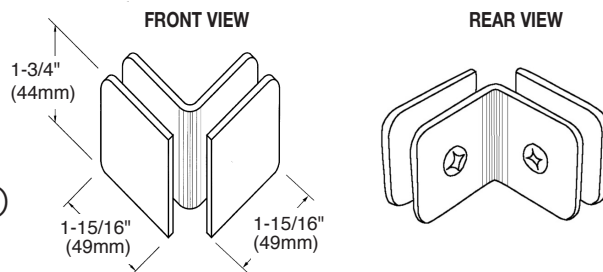




GLASS CLAMPS

Oversized 90° Clamp
(Glass-to-Glass Application)

CAT. NO. GCB91



***NOTE:** Do not exceed either maximum weight or width when choosing proper quantity of hinges.

Specifications:

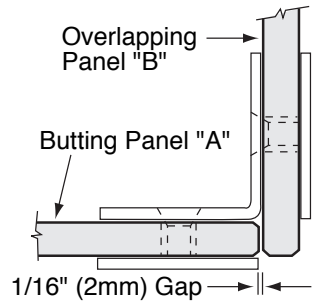
Material:	Solid brass
Glass Thickness Range:	5/16" (8mm) to 1/2" (12mm)
Hole Size Required:	5/8" (16mm) or 3/4" (19mm)
Includes:	Mounting screws and gaskets
Note:	Additional set of gaskets is required for 5/16" (8mm)

Template Shown on Next Page

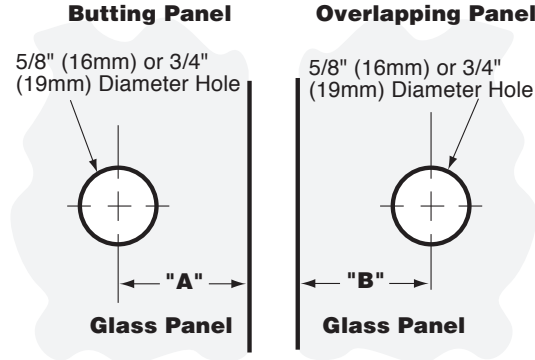
***NOTE:** Do not exceed either maximum weight or width when choosing proper quantity of hinges.

IMPORTANT: Project measurements from the edge of the glass.

TYPICAL INSTALLATION



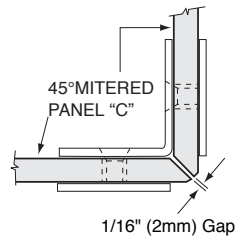
TEMPLATE OPTION FOR SQUARE CUT GLASS



Glass Thickness	"A" Measurement	"B" Measurement
1/4" (6mm)	1-3/16" (30mm)	1-1/2" (38mm)
5/16" (8mm)	1-3/16" (30mm)	1-9/16" (40mm)
3/8" (10mm)	1-3/16" (30mm)	1-5/8" (42mm)
1/2" (12mm)	1-3/16" (30mm)	1-3/4" (44mm)

NOTE: The Clamps shown on this page can also be used in a wall-to-glass application. For information on this see pages 4T-11 and 4T-12.

TYPICAL INSTALLATION

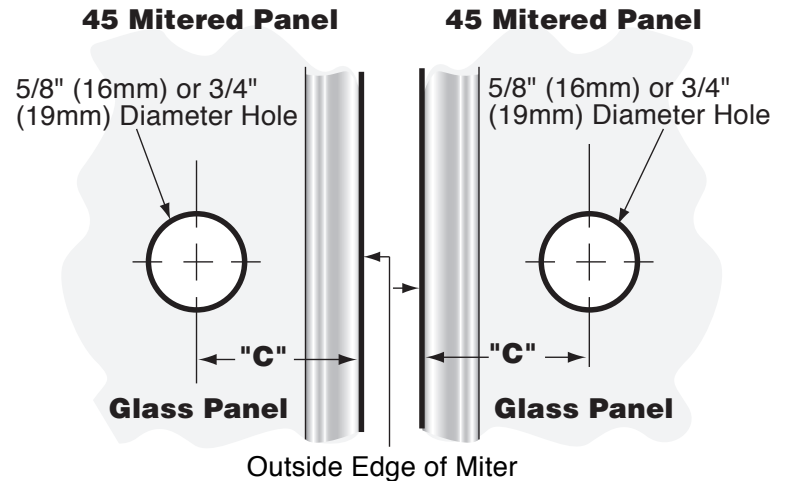


Glass Thickness	"C" Measurement
1/4" (6mm)	1-7/16" (37mm)
5/16" (8mm)	1-1/2" (38mm)
3/8" (10mm)	1-9/16" (40mm)
1/2" (12mm)	1-11/16" (42mm)

*From outside edge of miter



TEMPLATE OPTION FOR 45° MITERED GLASS



GLASS CLAMPS (Glass-to-Glass Application)

THE TEMPLATE OPTIONS ON THIS PAGE APPLY TO THE FOLLOWING CLAMPS:

Oversized 90° Glass Clamp
CAT. NO. GCB91