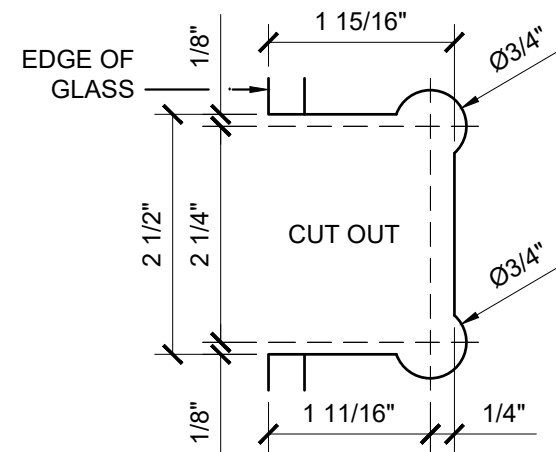
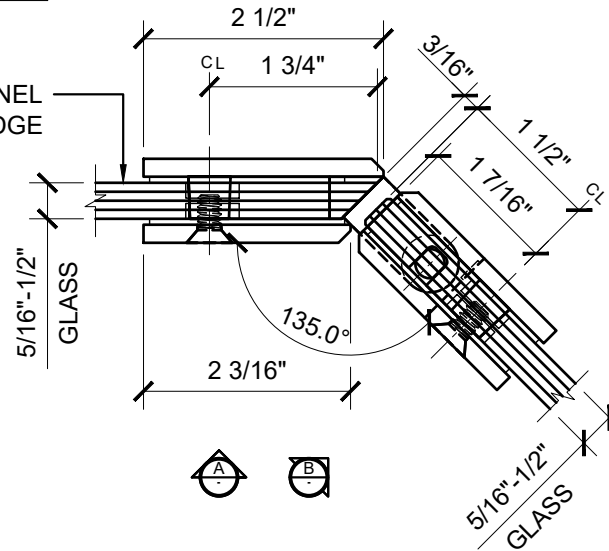


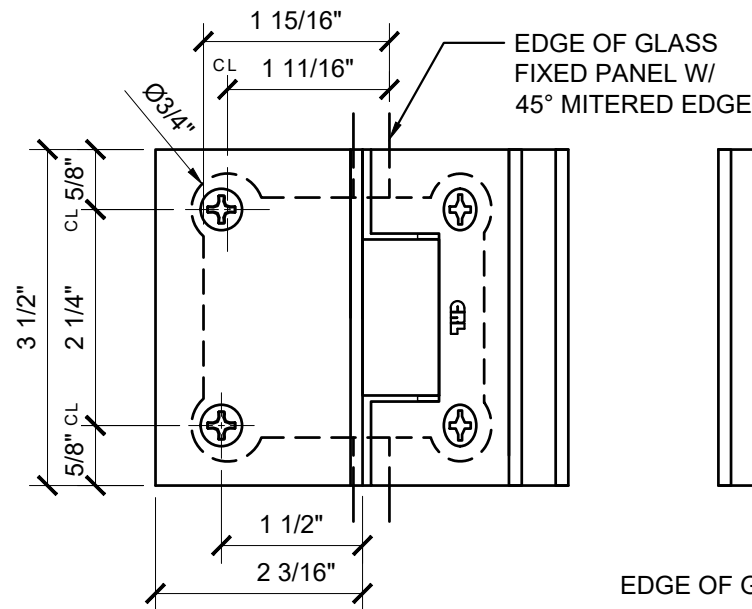
USE OF GASKETS

FOR 5/16" (10mm) GLASS: USE ONE THICK GASKET ON EACH SIDE  
 FOR 1/2" (12mm) GLASS: USE ONE THIN GASKET ON EACH SIDE

FIXED GLASS PANEL  
 W/ 45° MITERED EDGE

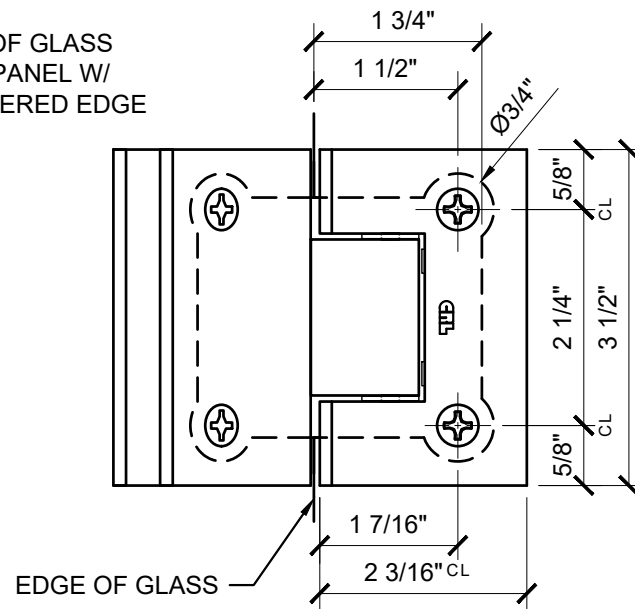


GLASS FABRICATION TEMPLATE 1 OF 2



**A** VIEW

ARCH REF: 6"=1'-0"



**B** VIEW

ARCH REF: 6"=1'-0"

CATALOG NUMBER	FINISH
GEN045CH	CHROME
GEN045BR	BRASS
GEN045ORB	OIL RUBBED BRONZE
GEN045ABC0	ANTIQUE BRUSHED COPPER
GEN045ABL	ALL BLACK
GEN045ABN	ANTIQUE BRUSHED NICKEL
GEN045ABR	ANTIQUE BRASS
GEN045ABRZ	ANTIQUE BRONZE
GEN045AW	ALL WHITE
GEN045BBRZ	BRUSHED BRONZE
GEN045BN	BRUSHED NICKEL
GEN045BSC	BRUSHED SATIN CHROME
GEN045CBA	CHROME W/ BRASS ACCENTS
GEN045GP	GOLD PLATED
GEN045PC0	POLISHED COPPER
GEN045PN	POLISHED NICKEL
GEN045SB	SATIN BRASS
GEN045SC	SATIN CHROME
GEN045SN	SATIN NICKEL
GEN045UBR	ULTRA BRASS
GEN045WC	WHITE W/ CHROME ACCENTS

GEN045XX - CRL GENEVA SERIES 135 DEGREE GLASS TO GLASS HINGE

DATE: 6/21/17  
 SCALE: 6"=1'-0"  
 DRAWN BY: VM

DESCRIPTION: CRL GEN045  
 GENEVA SERIES 135 DEGREE  
 GLASS TO GLASS HINGE

C.R.LAURENCE CO. ARCHITECTURAL PRODUCTS  
 2503 E. Vernon Avenue, Los Angeles, C.A 90058-1897  
 PH (800)-421-6144 FX: 800-587-7501 www.crlaurence.com

