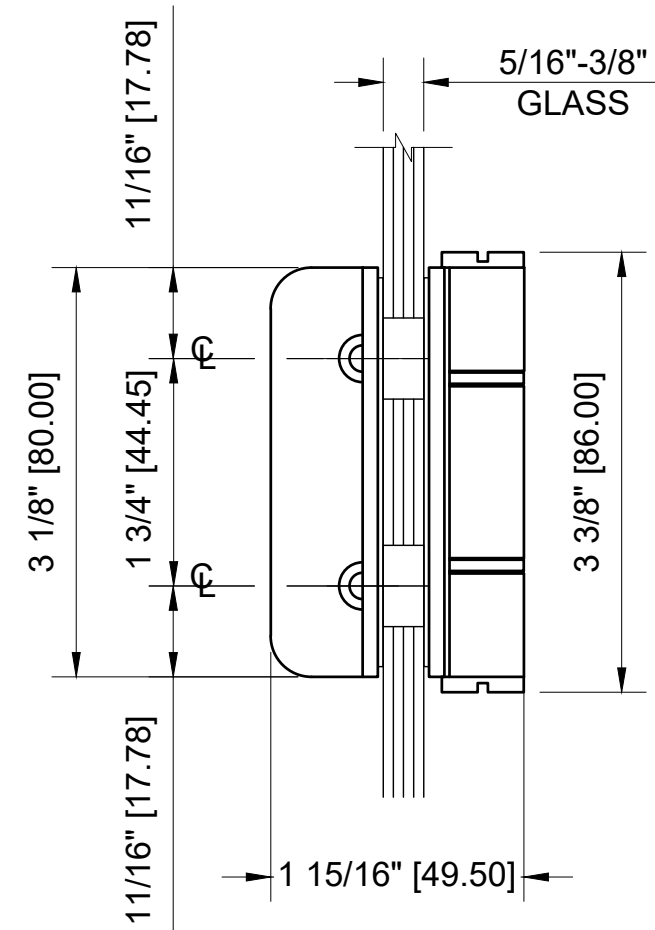
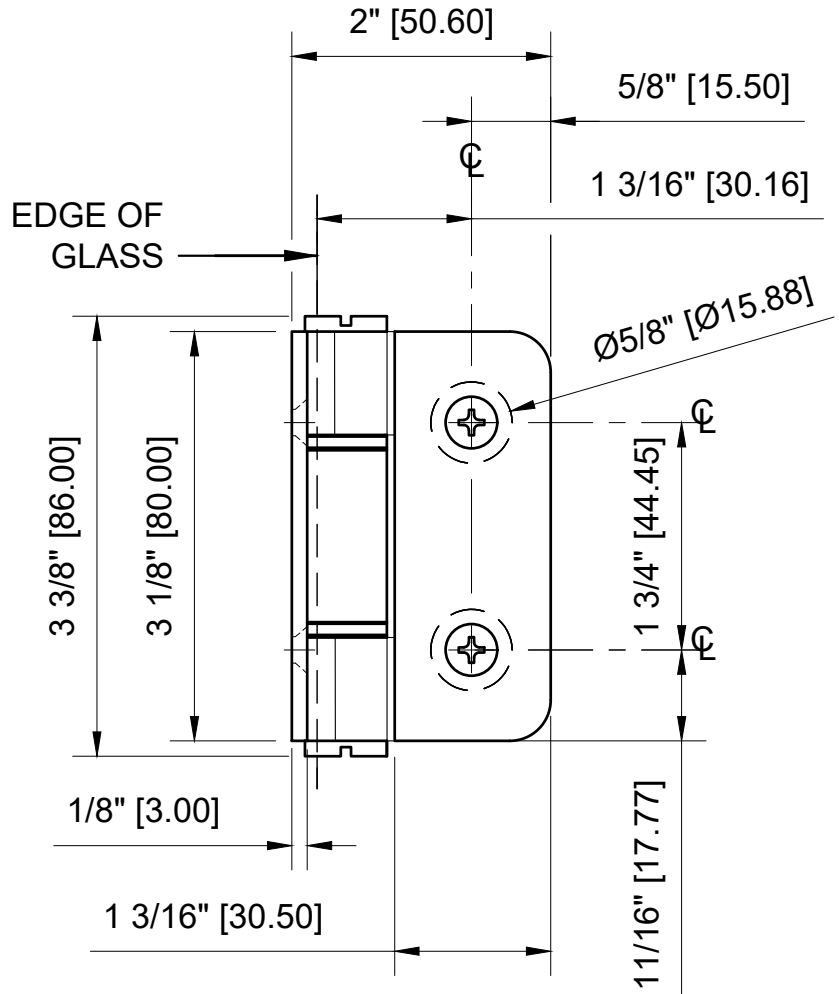
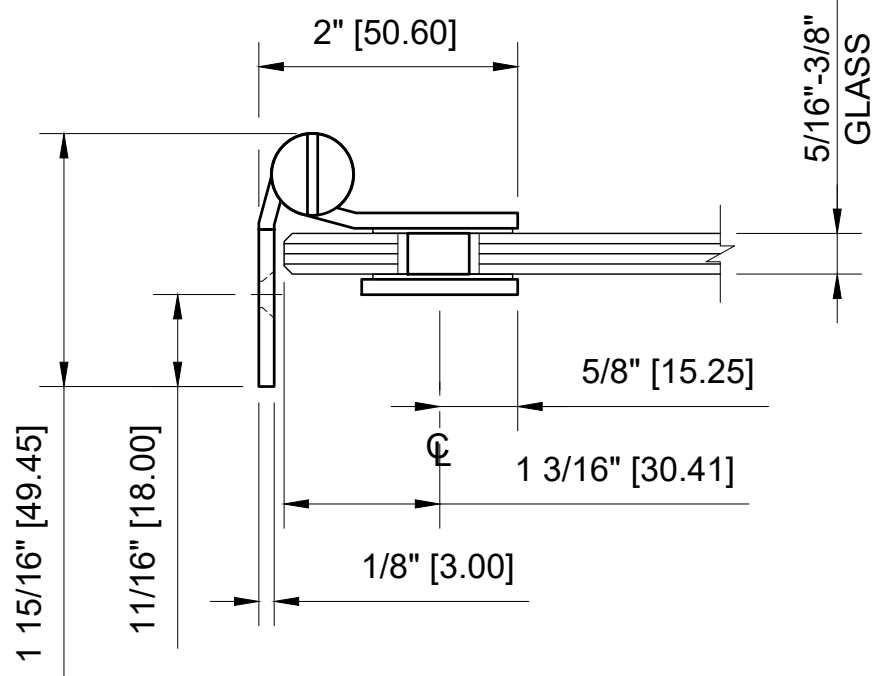


USE OF GASKETS
 FOR 5/16" (8mm) GLASS: USE ONE THICK GASKET ON EACH SIDE
 FOR 3/8" (10mm) GLASS: USE ONE THIN GASKET ON EACH SIDE



CATALOG NUMBER	FINISH
ZUR05PS	POLISHED STAINLESS
ZUR05BR	POLISHED BRASS
ZUR050RB	OIL RUBBED BRONZE
ZUR05ABC0	ANTIQUE BRUSHED COPPER
ZUR05ABR	ANTIQUE BRASS
ZUR05BN	BRUSHED NICKEL
ZUR05GP	GOLD PLATE
ZUR05PN	POLISHED NICKEL
ZUR05SS	BRUSHED STAINLESS
ZUR05WS	WHITE STAINLESS

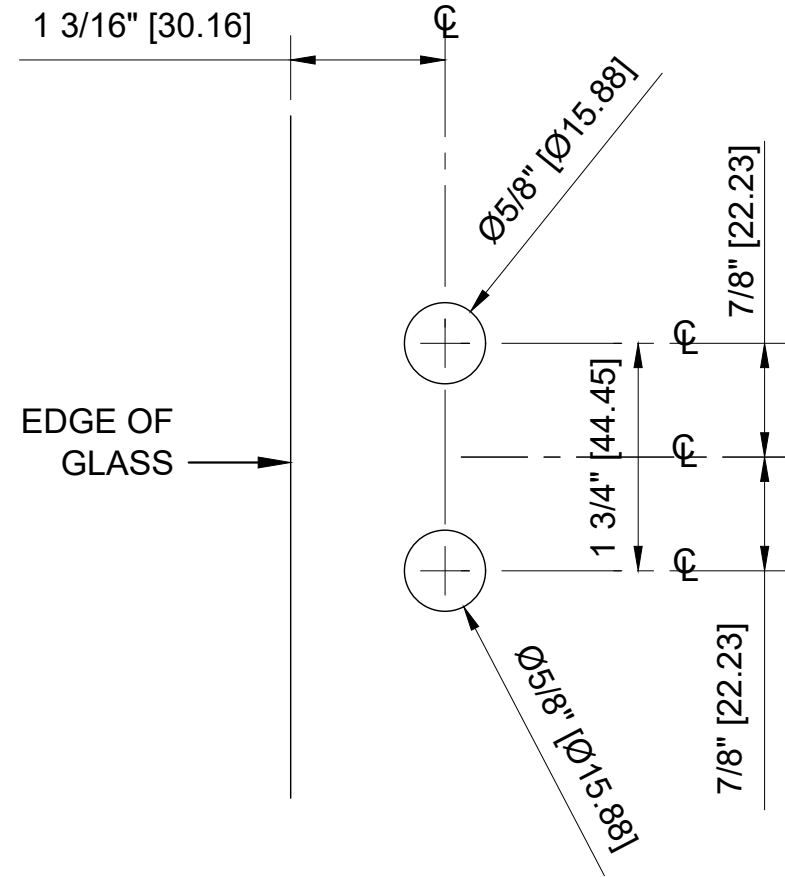
ZUR05XX - CRL ZURICH SERIES WALL MOUNT OUT-SWING HINGE

CRL
 C.R. LAURENCE CO. ARCHITECTURAL PRODUCTS
 2503 E. Vernon Avenue, Los Angeles, C.A 90058-1897
 PH (800)-421-6144 FX: 800-587-7501 www.crlaurence.com

DESCRIPTION: CRL ZURICH SERIES HINGE
 ZUR05 - WALL MOUNT OUT-SWING HINGE

DATE: 9/9/19
 SCALE: 6"=1'-0"
 DRAWN BY: VM

USE OF GASKETS
FOR 5/16" (8mm) GLASS: USE ONE THICK GASKET ON EACH SIDE
FOR 3/8" (10mm) GLASS: USE ONE THIN GASKET ON EACH SIDE



GLASS FABRICATION TEMPLATE

CATALOG NUMBER	FINISH
ZUR05PS	POLISHED STAINLESS
ZUR05BR	POLISHED BRASS
ZUR050RB	OIL RUBBED BRONZE
ZUR05ABC0	ANTIQUÉ BRUSHED COPPER
ZUR05ABR	ANTIQUÉ BRASS
ZUR05BN	BRUSHED NICKEL
ZUR05GP	GOLD PLATE
ZUR05PN	POLISHED NICKEL
ZUR05SS	BRUSHED STAINLESS
ZUR05WS	WHITE STAINLESS

ZUR05XX - CRL ZURICH SERIES WALL MOUNT OUT-SWING HINGE

CRL C.R. LAURENCE CO. ARCHITECTURAL PRODUCTS 2503 E. Vernon Avenue, Los Angeles, C.A. 90058-1897 PH (800)-421-6144 FX: 800-587-7501 www.crlaurence.com	DESCRIPTION: CRL ZURICH SERIES HINGE ZUR05 - WALL MOUNT OUT-SWING HINGE	DATE: 9/9/19 SCALE: 6"=1'-0" DRAWN BY: VM
------------------------------------------------------------------------------------------------------------------------------------------------------------------------	-------------------------------------------------------------------------------	-------------------------------------------------