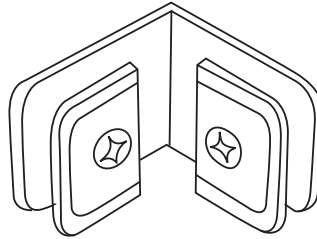


FRONT VIEW



REAR VIEW

Specifications:

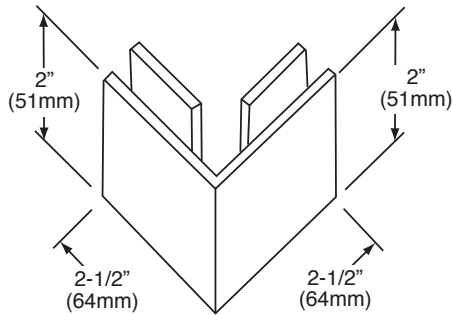
Material: Solid brass
Glass Thickness Range: 3/8"(10mm) to 1/2"(12mm)
Hole Size Required: 3/4" (19mm)
Includes: Mounting screws and gaskets

Template Shown on Next Page

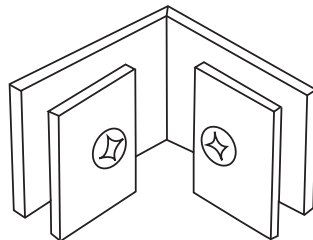
HEAVY DUTY GLASS CLAMPS

90° Glass Clamp (Glass-to-Glass Application)

CAT. NO. BGC90



FRONT VIEW



REAR VIEW

Specifications:

Material: Solid brass
Glass Thickness Range: 3/8"(10mm) to 1/2"(12mm)
Hole Size Required: 3/4" (19mm)
Includes: Mounting screws and gaskets

Template Shown on Next Page

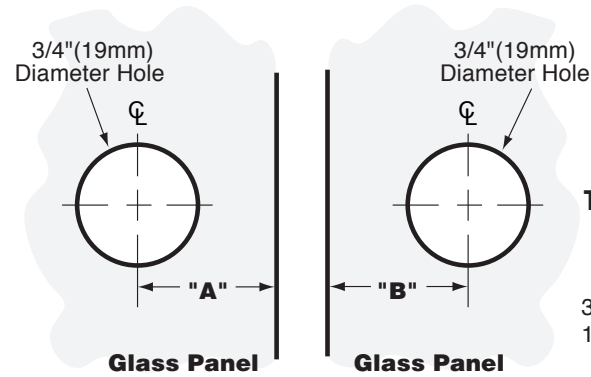
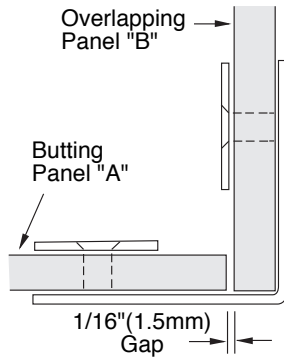
HEAVY DUTY GLASS CLAMPS

90° Glass Clamp (Glass-to-Glass Application)

CAT. NO. SGC90

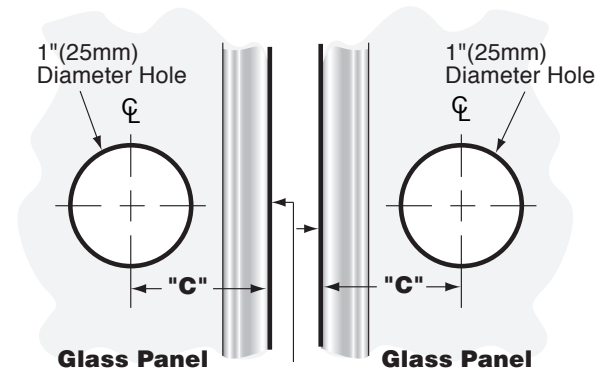
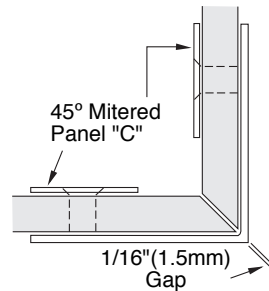
IMPORTANT: Project measurements from the edge of the glass.

TYPICAL INSTALLATION




Glass Thickness	"A"* Measurement	"B"* Measurement
3/8" (10mm)	1-3/16" (30mm)	1-5/8" (41mm)
1/2" (12mm)	1-1/16" (27mm)	1-5/8" (41mm)

TEMPLATE OPTION FOR 45° MITERED GLASS TYPICAL INSTALLATION



Glass Thickness	"C"* Measurement
3/8" (10mm)	1-1/2" (38mm)
1/2" (12mm)	1-1/2" (38mm)

Outside Edge of Miter

 ALWAYS USE DIMENSIONS TO ENSURE ACCURACY

GLASS CLAMPS

The Template Options on This Page Apply to the Following Clamps:

90° Glass Clamp (Glass-to-Glass Application) | 90° Glass Clamp

CAT. NO. BGC90

| CAT. NO. SGC90