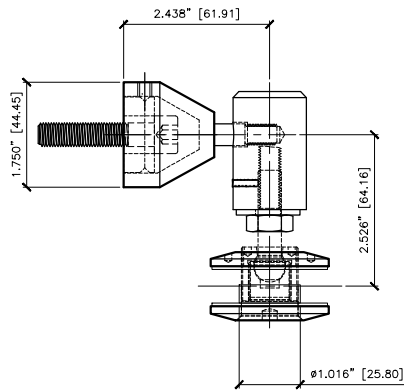
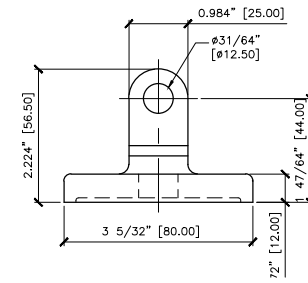
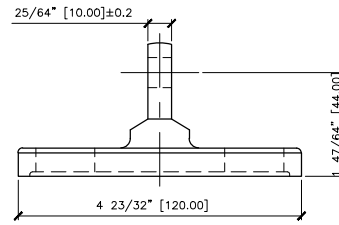
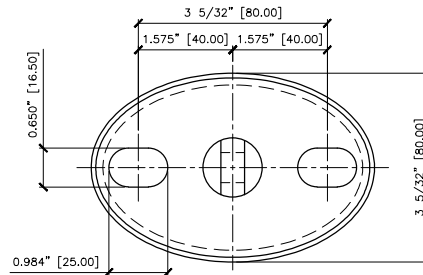



MAX. 9/16" [10.00]  
 +5/8" DIA. HOLE REQUIRED



REVISIONS	
 <b>C.R. LAURENCE CO.</b> ARCHITECTURAL PRODUCTS <small>2501 E. Vermont Avenue, Los Angeles, CA 90038          Phone: 800-421-6144 Fax: 800-260-3299          www.crlhardware.com</small>	
<b>BOTTOM MOUNT AND          PIVOT No. GAS190BS</b>	
Job Name:	
Clienting Contractor:	
DATE:	01-20-09
DRAWN BY:	JRM
CHECKED BY:	
SCALE:	1:1
JOB #:	-----
SHT	OF

CUSTOMER SIGNATURE: **X**

DATE: \_\_\_\_\_