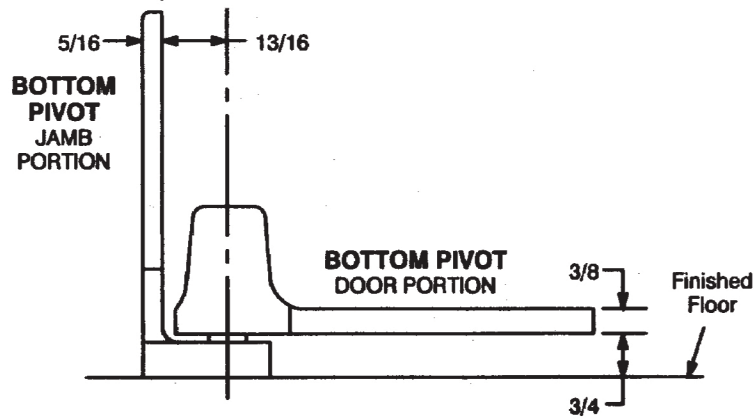
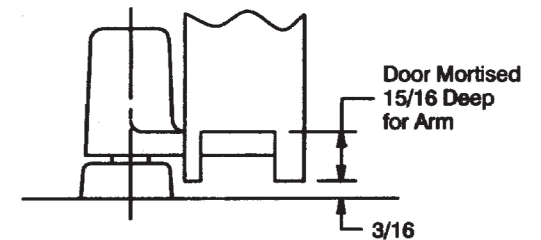
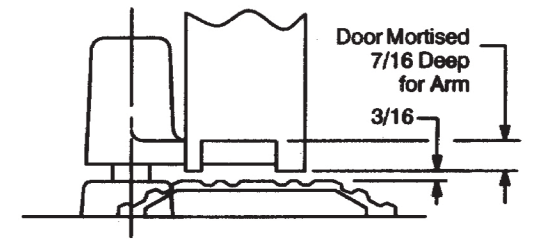
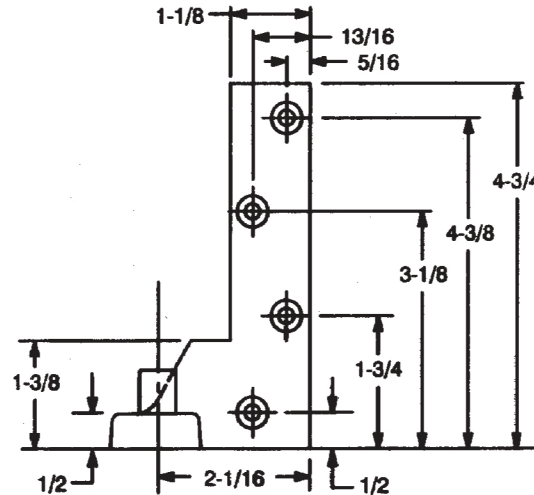
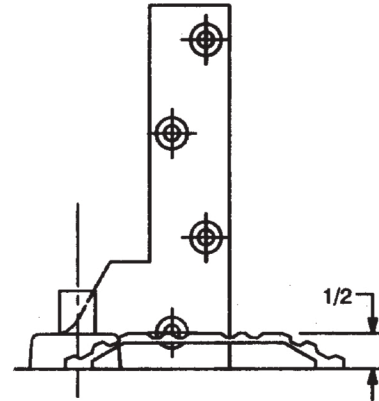


Notes:

1. Do not scale drawing.
2. Right hand shown.
3. Suitable reinforcing by others.
4. Pivots drilled for 1/4-20 x 5/8" FHMS or #14 x 1-1/2" FHWS.
5. When jamb portion is installed on top of threshold allow for threshold height when preparing frame and door mortise depth.
6. All dimensions are in inches.



BOTTOM PIVOT JAMB PORTION WITH THRESHOLD



CRL C.R. Laurence Co., Inc.

DH142
3/4" OFFSET
BOTTOM PIVOT