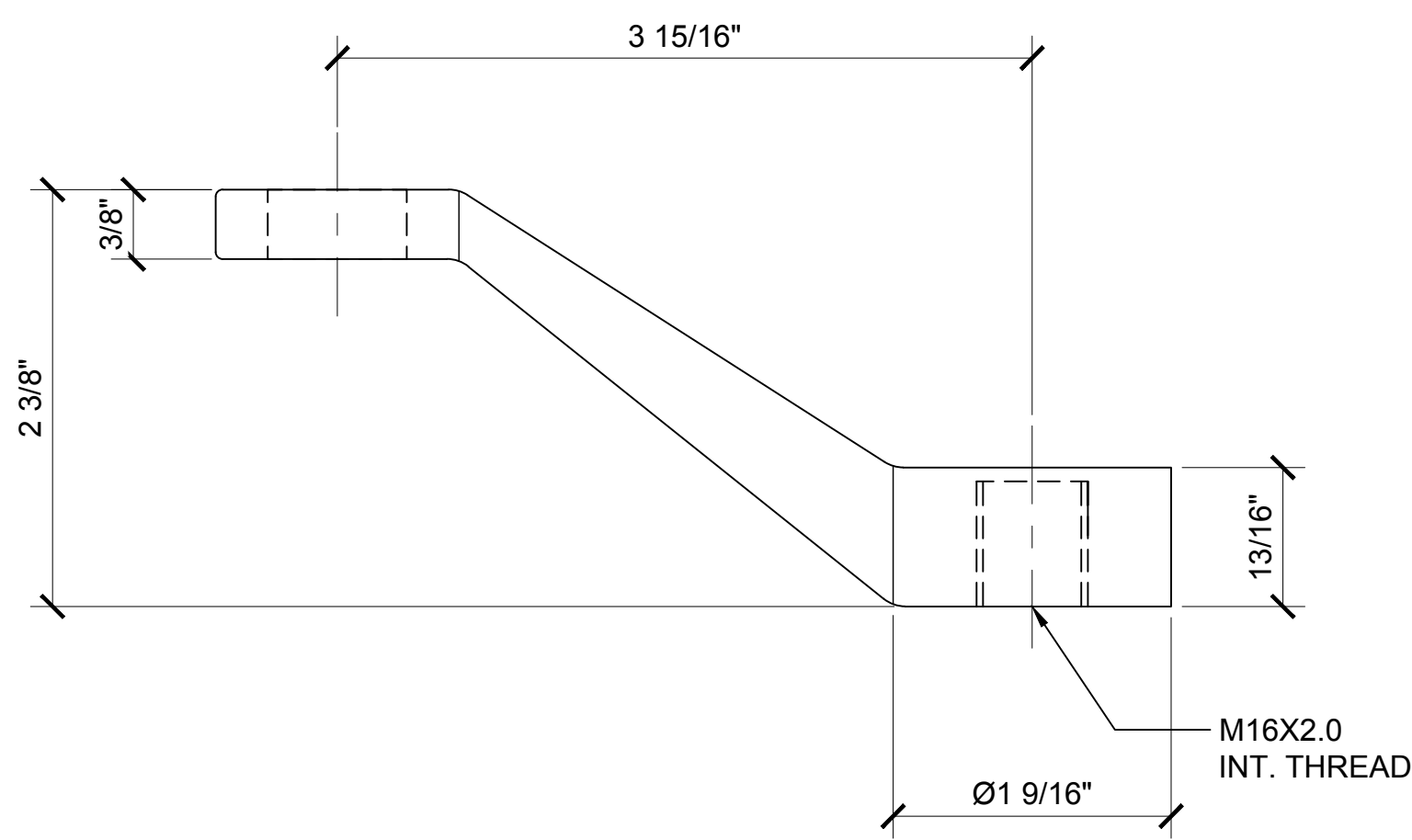
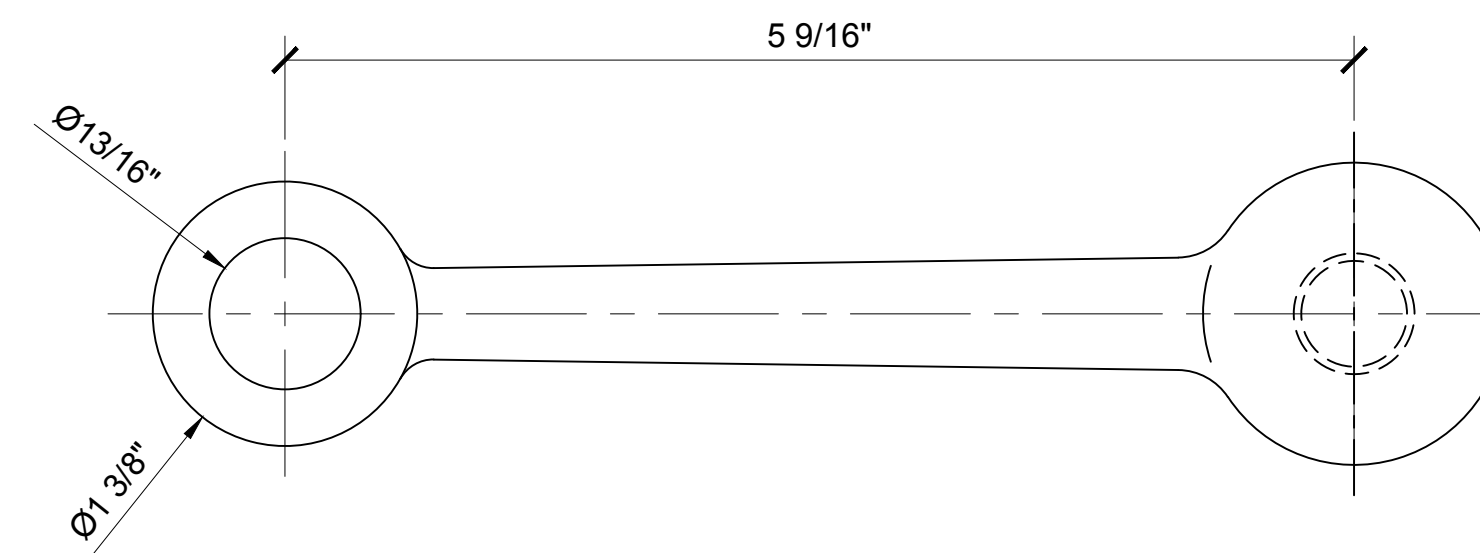


AVAILABLE FINISHES
 PMR1BS = BRUSHED STAINLESS STEEL
 PMR1PS = POLISHED STAINLESS STEEL

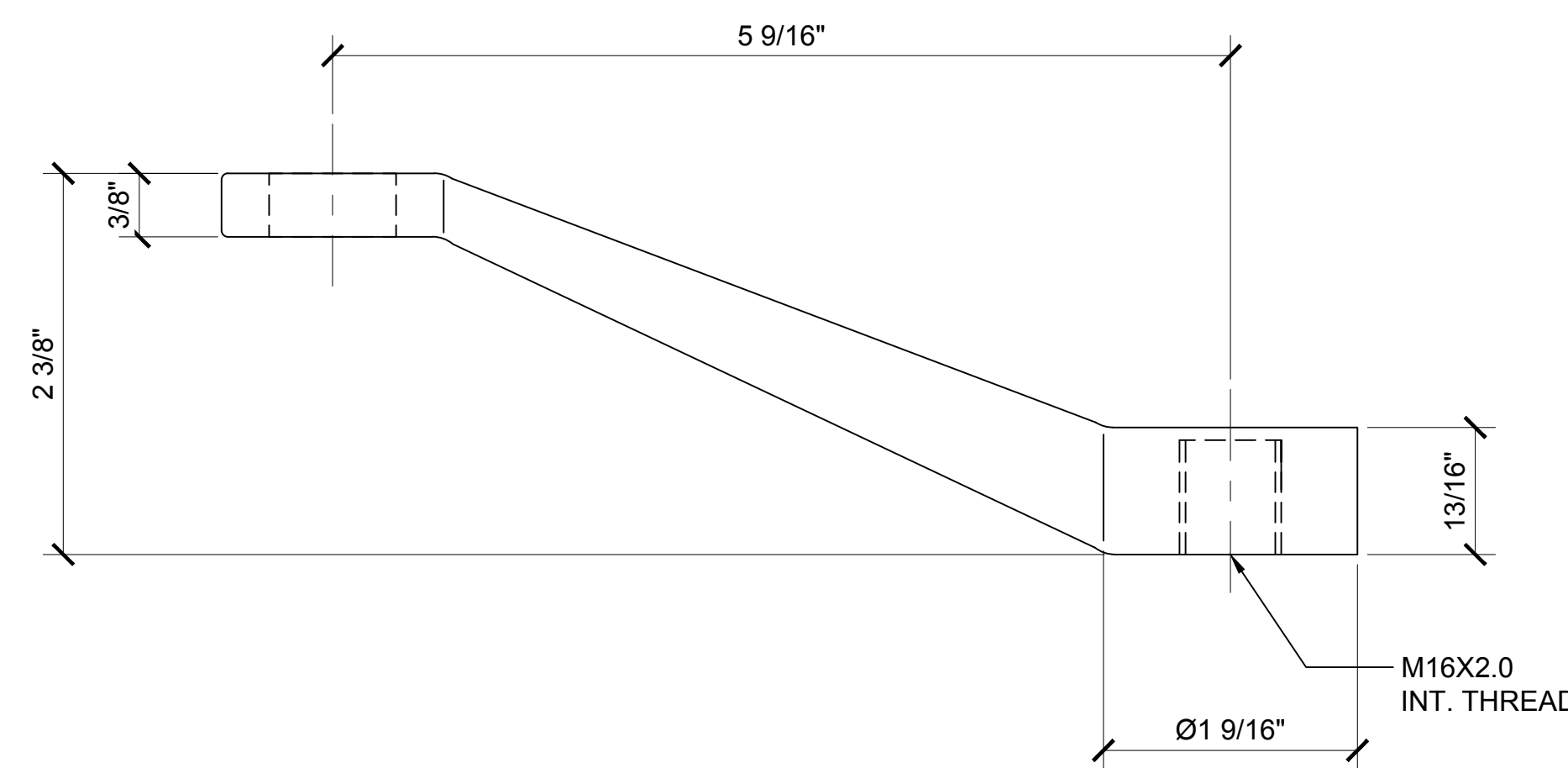


SINGLE ARM REGULAR-DUTY POST MOUNT FITTING PMR1

1

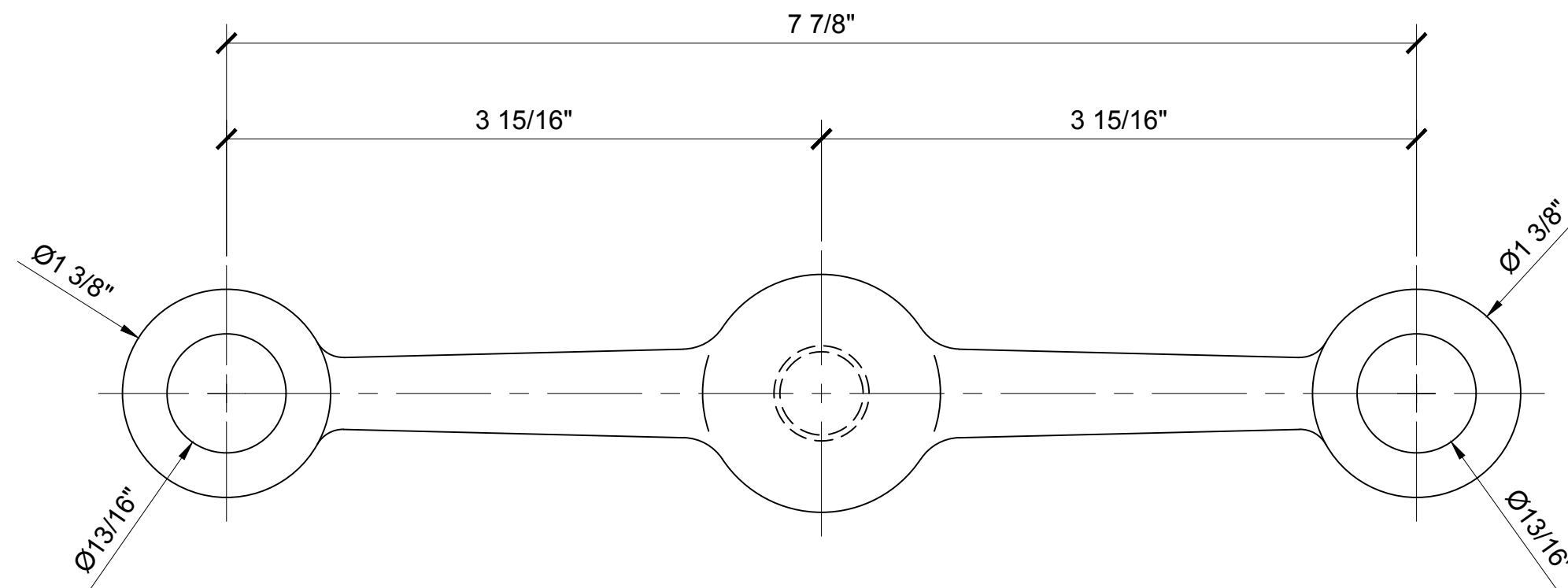


AVAILABLE FINISHES
 PMR1LBS = BRUSHED STAINLESS STEEL
 PMR1LPS = POLISHED STAINLESS STEEL

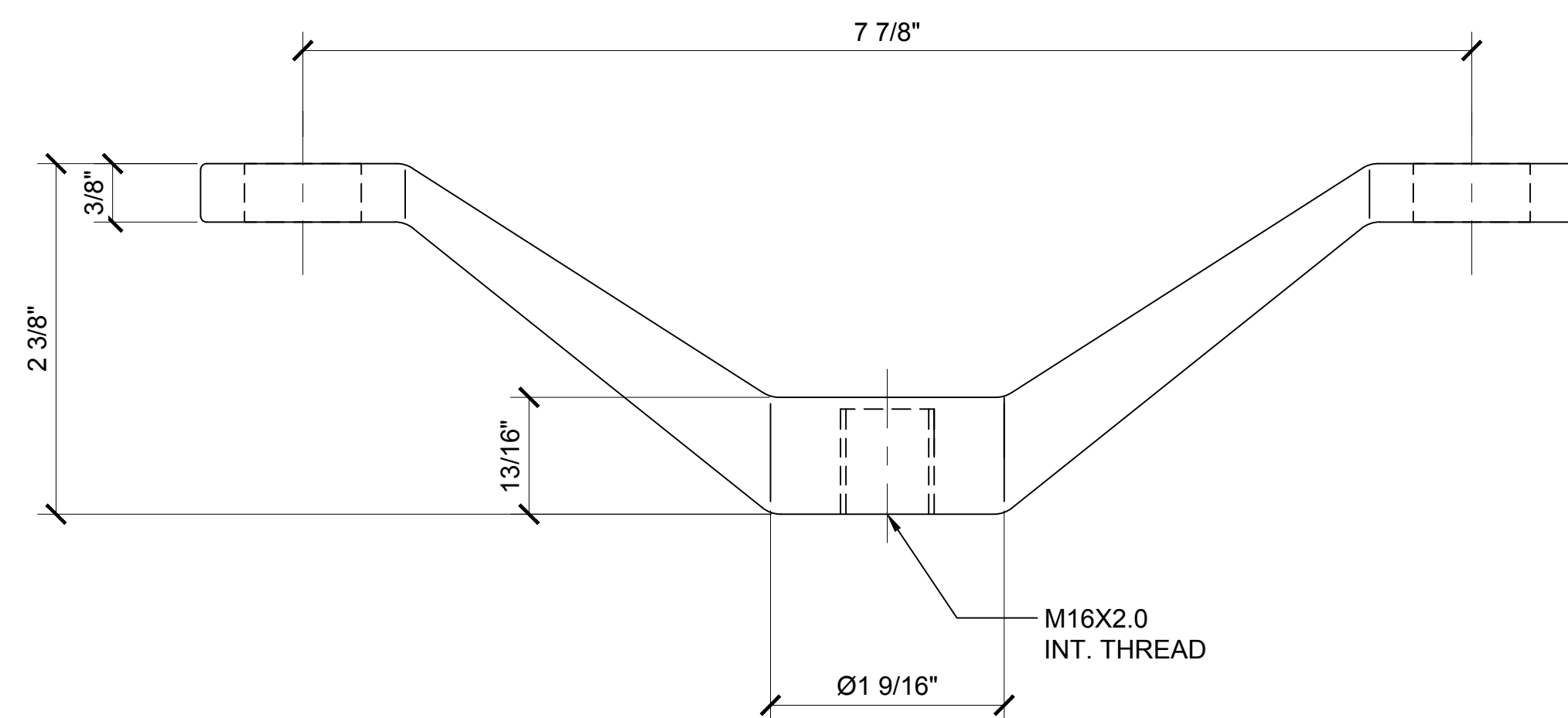


SINGLE LONG ARM REGULAR-DUTY POST MOUNT FITTING PMR1L

2

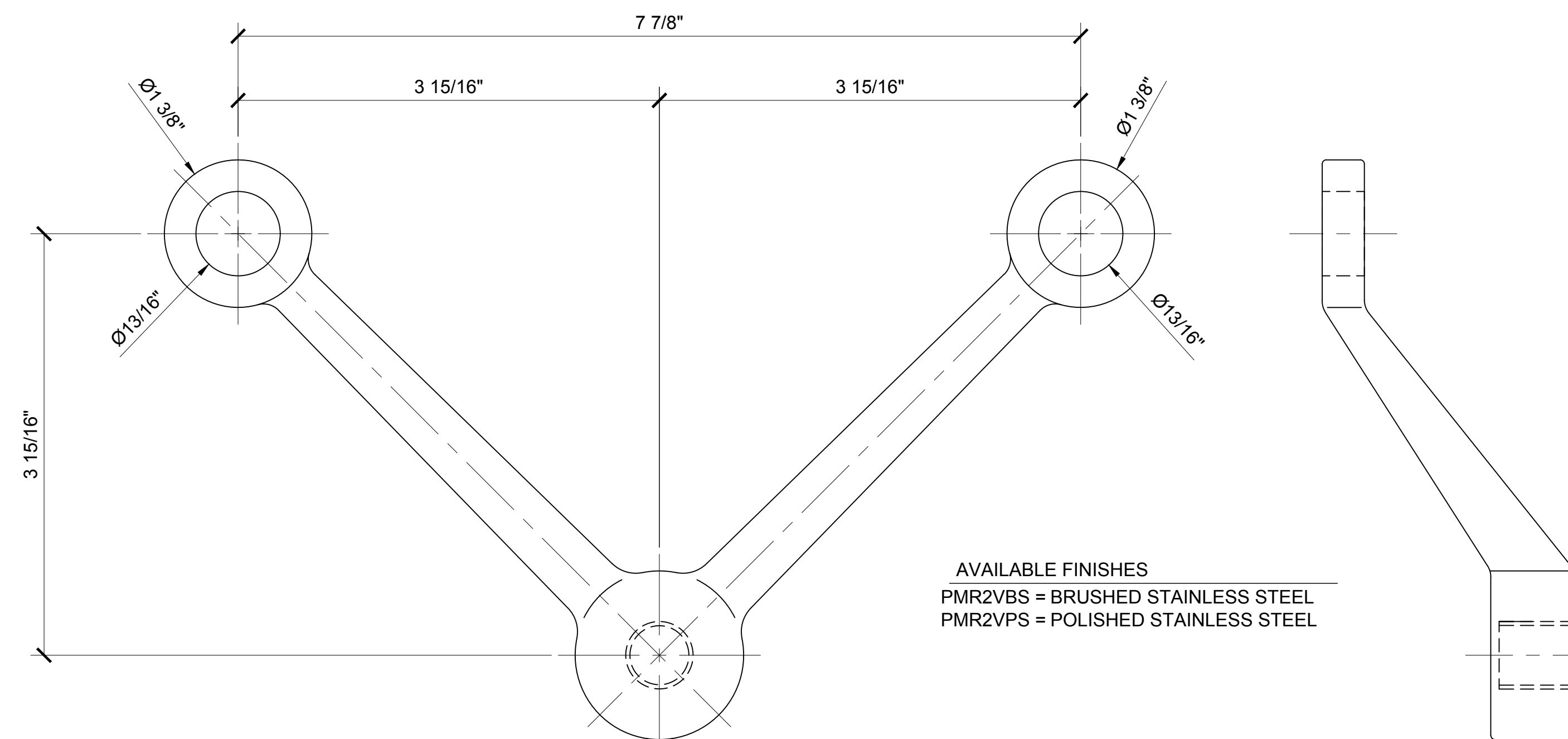


AVAILABLE FINISHES
 PMR2BS = BRUSHED STAINLESS STEEL
 PMR2PS = POLISHED STAINLESS STEEL

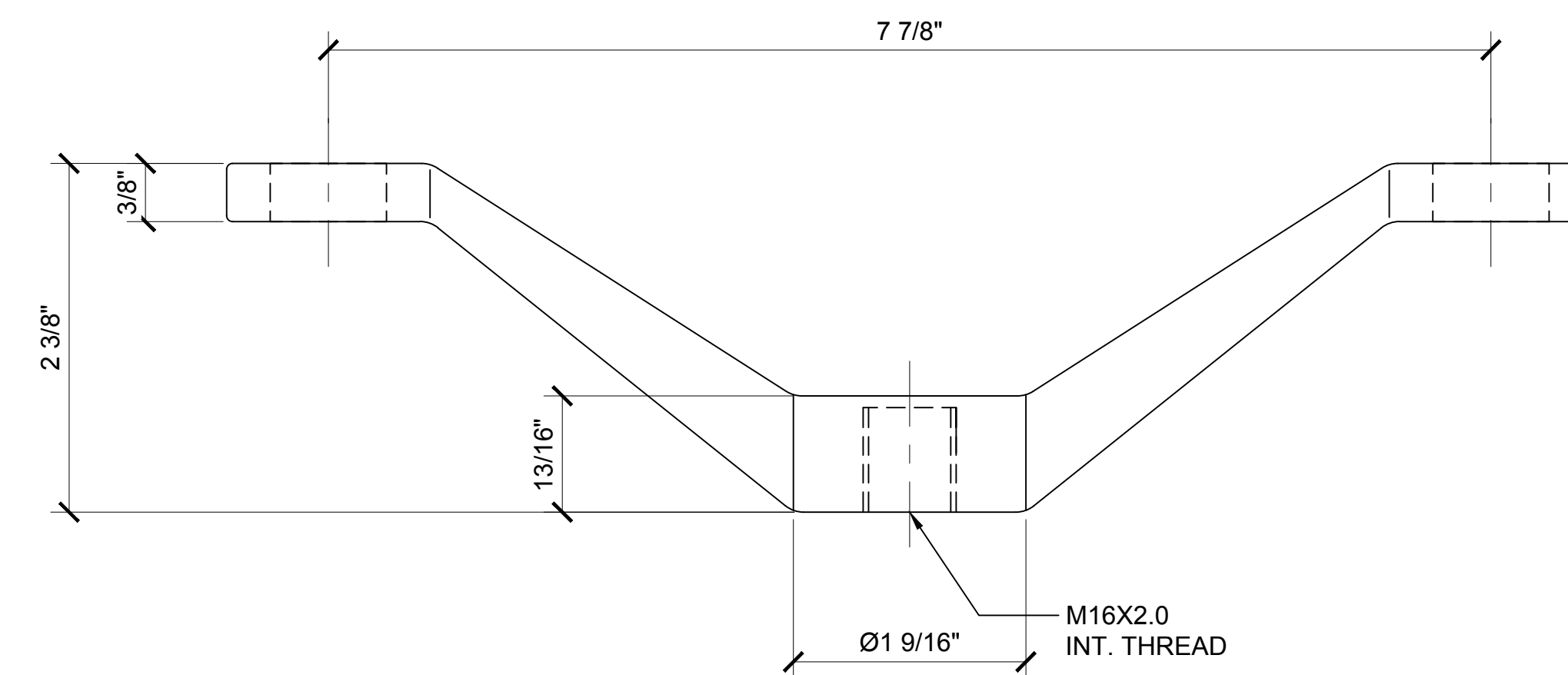


SINGLE ARM REGULAR-DUTY POST MOUNT FITTING PMR2

3



AVAILABLE FINISHES
 PMR2VBS = BRUSHED STAINLESS STEEL
 PMR2VPS = POLISHED STAINLESS STEEL



SINGLE ARM REGULAR-DUTY POST MOUNT FITTING PMR2V

4

Revisions By:



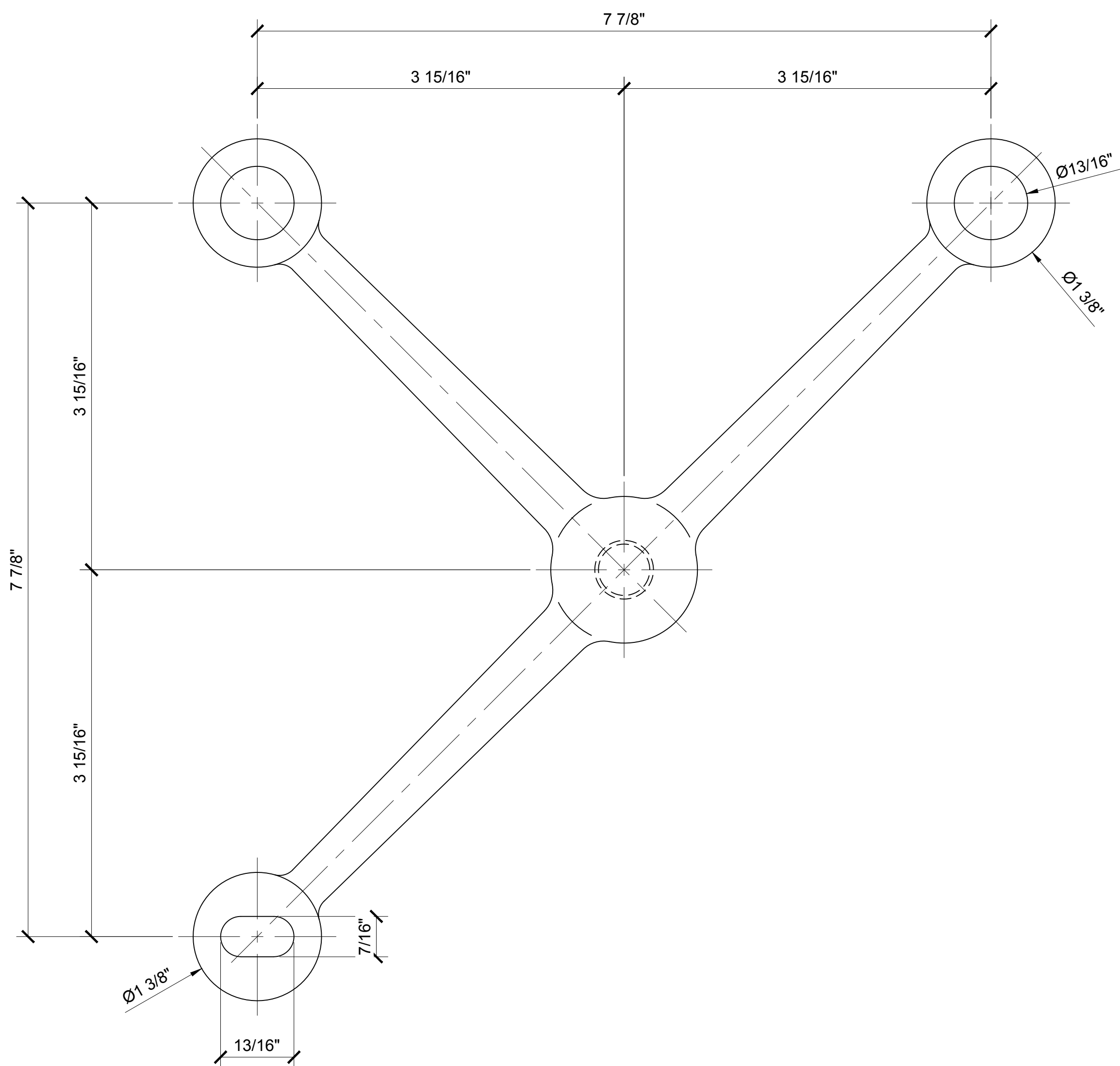
C.R. LAURENCE CO. ARCHITECTURAL PRODUCTS
 2503 E. Vernon Avenue, Los Angeles, CA 90058-1897
 PH: (800)-421-6144 FX: 800-587-7301 www.crlaurence.com

Description:
 CRL SPIDER FITTINGS

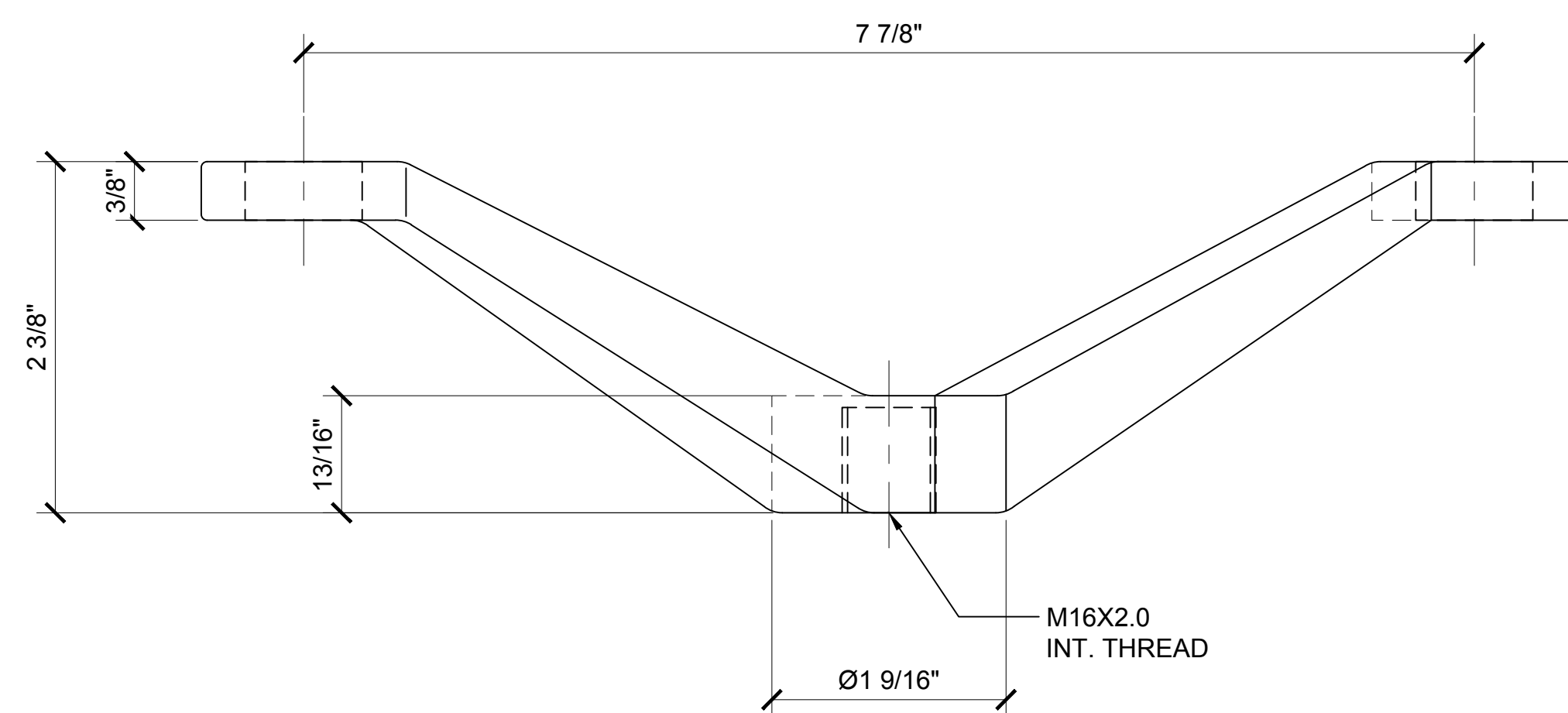
Drawn By: JRM
 Date: 4/4/17
 Scale: FULL
 File Name: Spider Fittings.dwg

Sheet

1

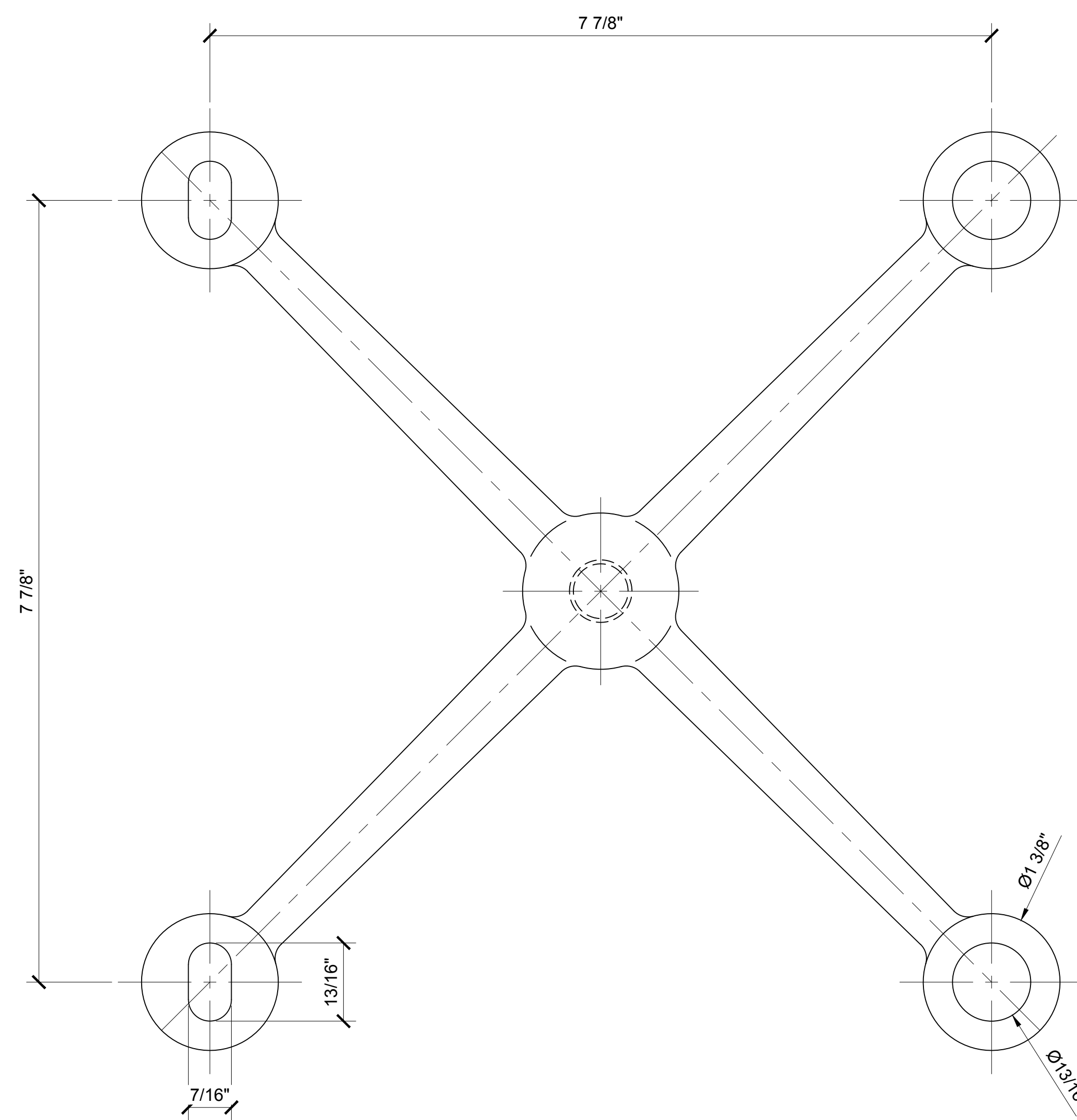


AVAILABLE FINISHES
 PMR3BS = BRUSHED STAINLESS STEEL
 PMR3PS = POLISHED STAINLESS STEEL

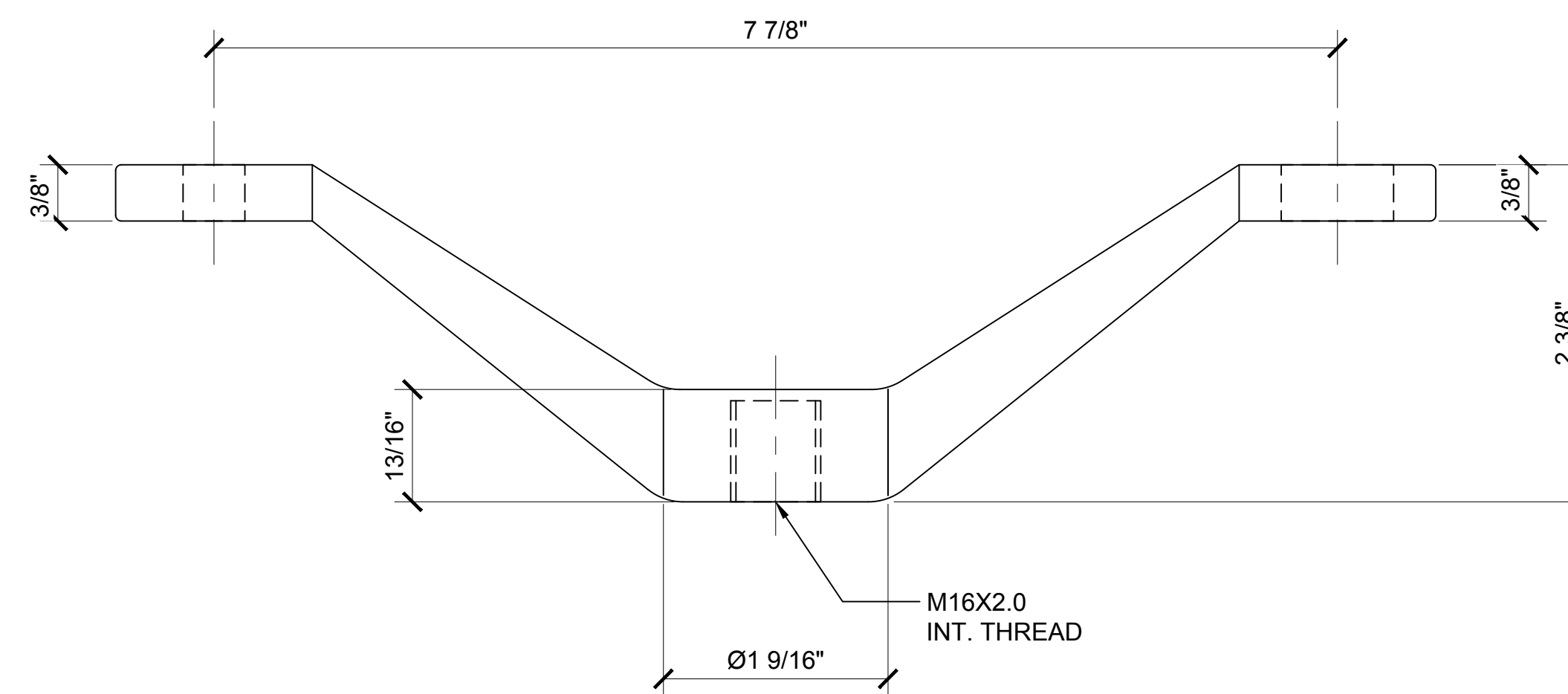


3-WAY ARM REGULAR-DUTY POST MOUNT FITTING PMR3

1



AVAILABLE FINISHES
 PMR4BS = BRUSHED STAINLESS STEEL
 PMR4PS = POLISHED STAINLESS STEEL



4-WAY ARM REGULAR-DUTY POST MOUNT FITTING PMR4

2

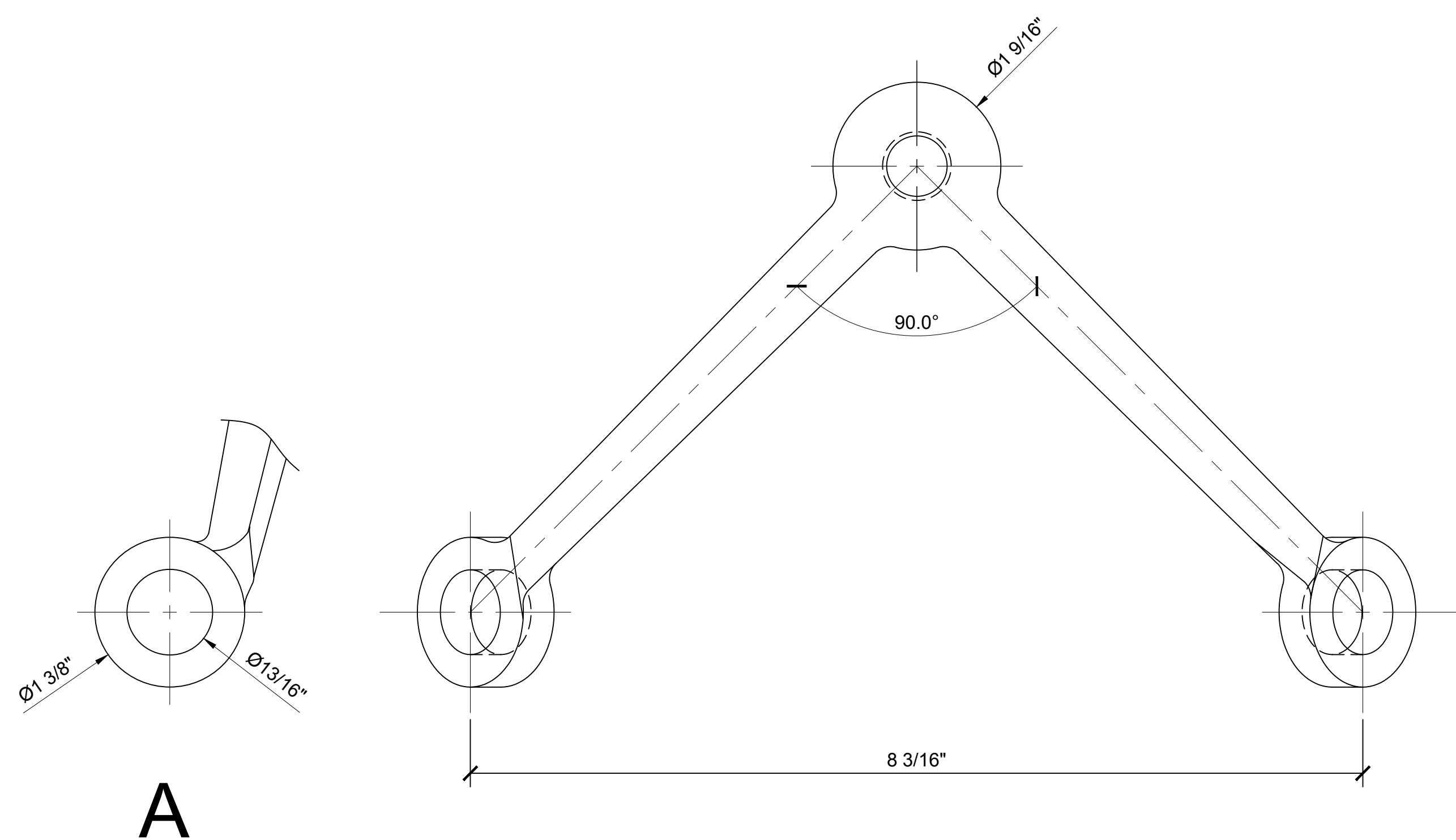
Description:

CRL SPIDER FITTINGS

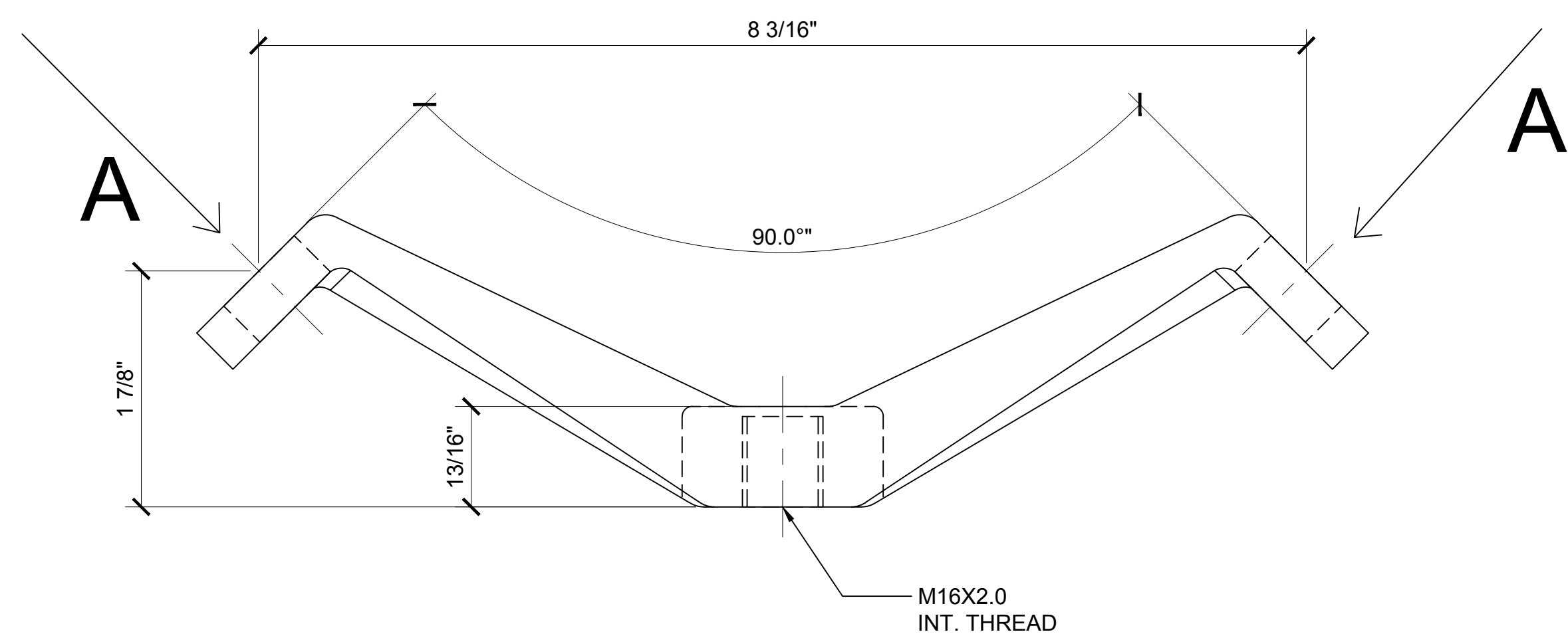
Drawn By: JRM
 Date: 4/4/17
 Scale: FULL
 File Name: Spider Fittings.dwg
 Sheet

Revisions By:

CRL
US ALUMINUM
C.R. LAURENCE CO. ARCHITECTURAL PRODUCTS
2503 E. Vernon Avenue, Los Angeles, CA 90058-1897
PH: (800)-421-6144 FX: (800)-587-7301 www.crlaurence.com

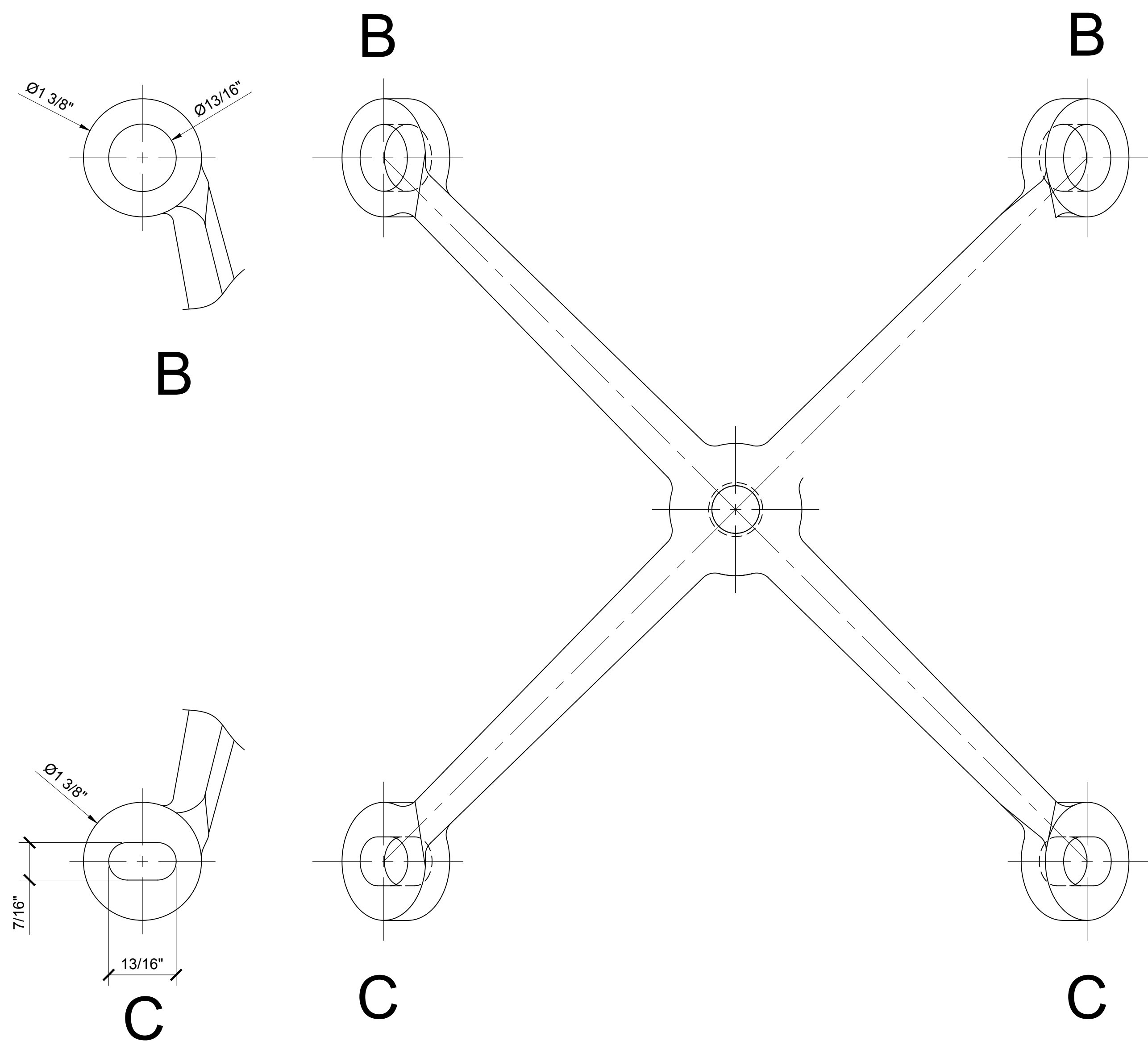


AVAILABLE FINISHES
PMR2V90BS = BRUSHED STAINLESS STEEL
PMR2V90PS = POLISHED STAINLESS STEEL

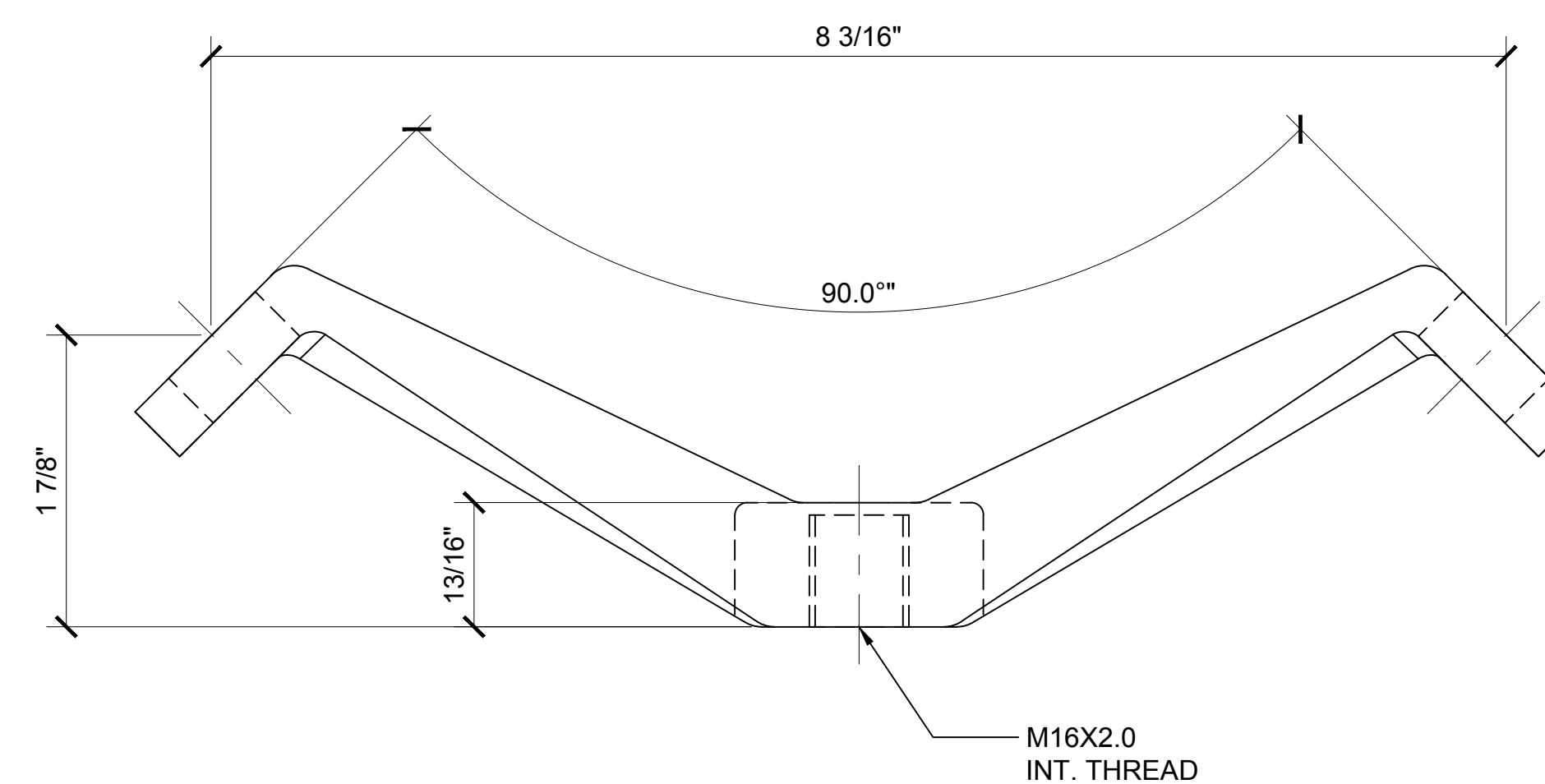


DOUBLE ARM "V" 90° REGULAR-DUTY POST MOUNT FITTING PMR2V90

1



AVAILABLE FINISHES
PMR490BS = BRUSHED STAINLESS STEEL
PMR490PS = POLISHED STAINLESS STEEL



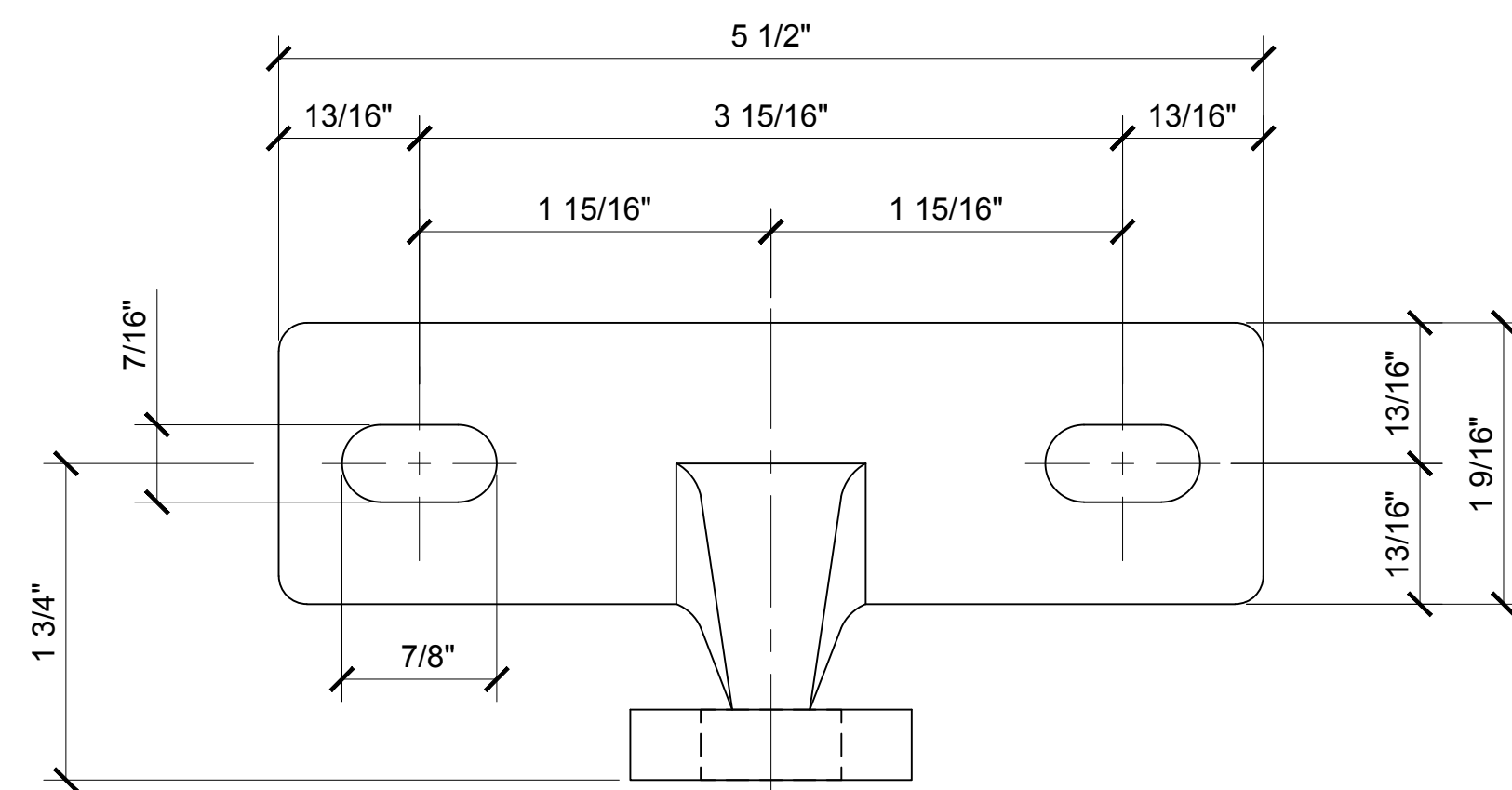
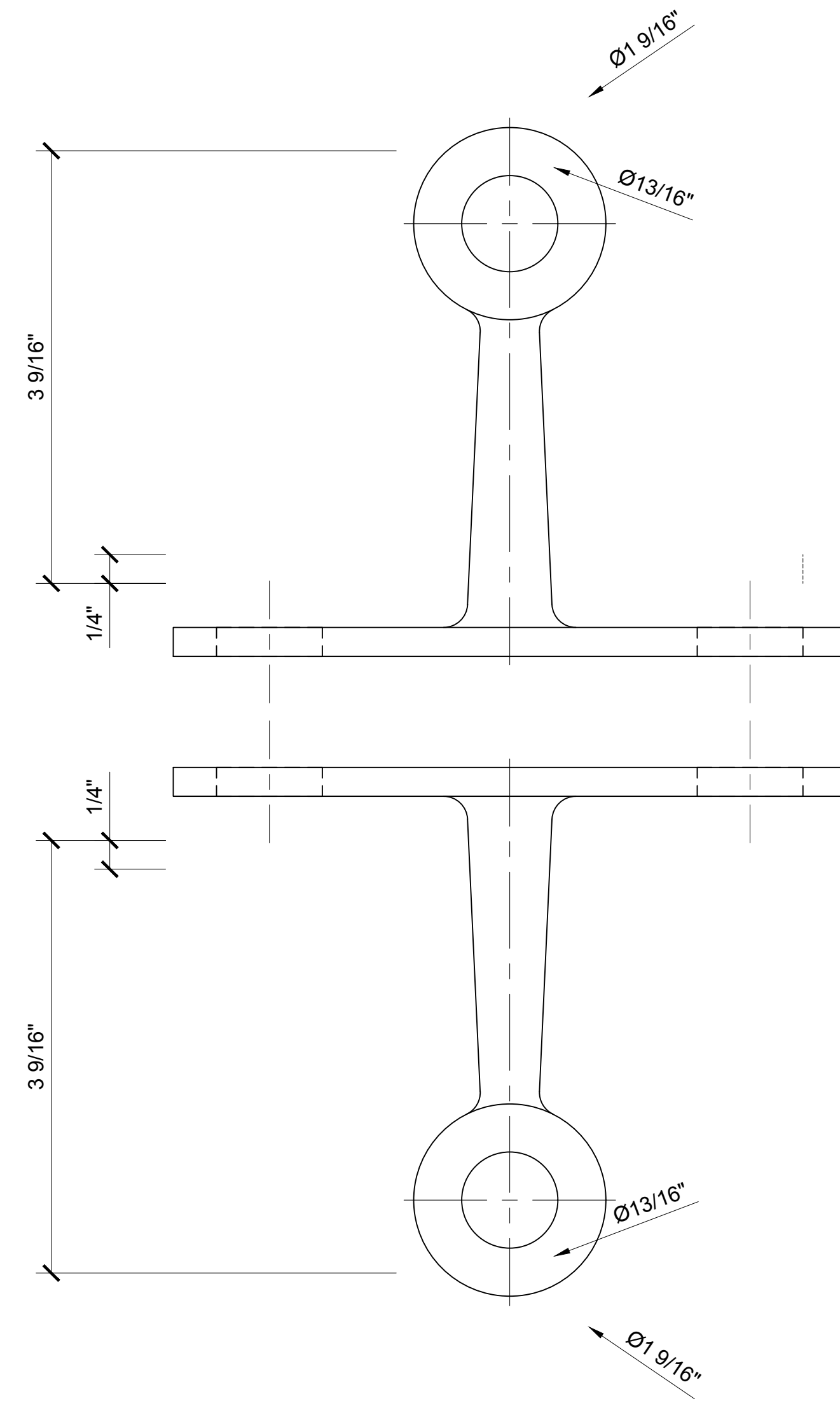
4-WAY ARM "V" 90° REGULAR-DUTY POST MOUNT FITTING PMR490

1

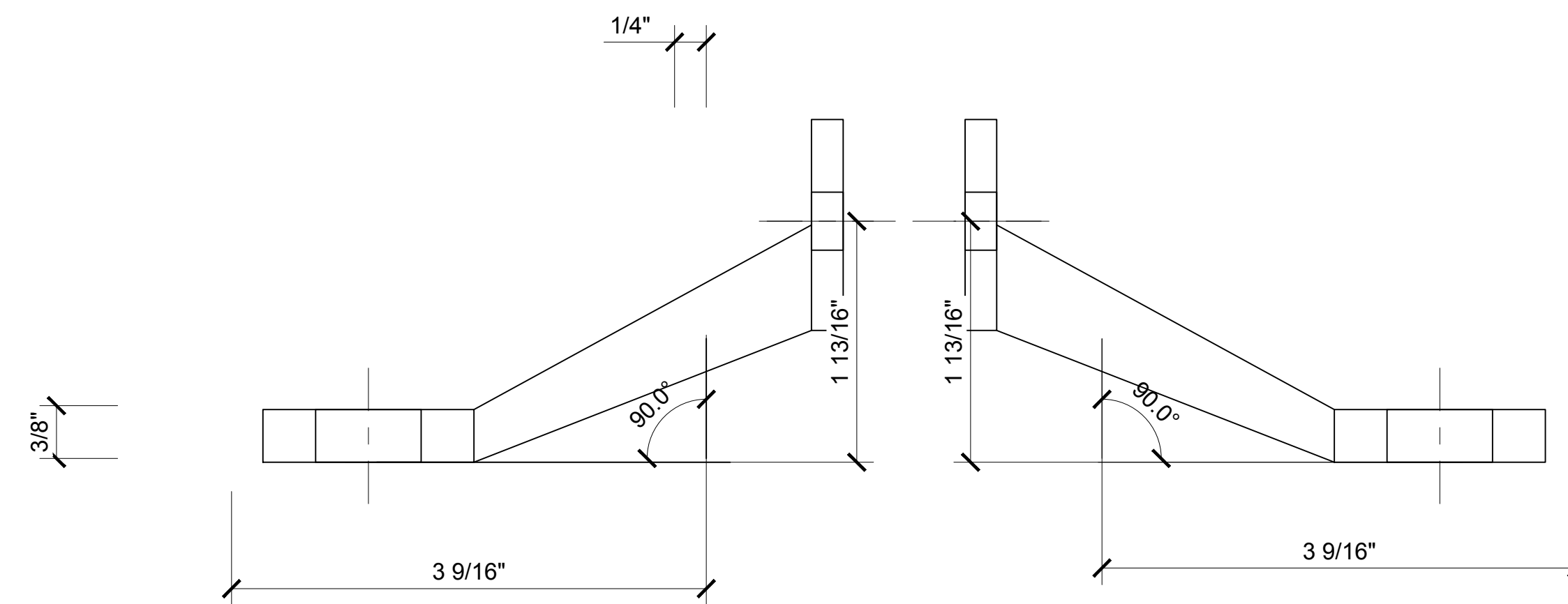
Description:
CRL SPIDER FITTINGS

Drawn By: JRM
Date: 4/4/17
Scale: FULL
File Name: Spider Fittings.dwg

Sheet



AVAILABLE FINISHES
 FMR2BS = BRUSHED STAINLESS STEEL
 FMR2PS = POLISHED STAINLESS STEEL



DOUBLE ARM REGULAR-DUTY POST MOUNT FITTING FMR2

1

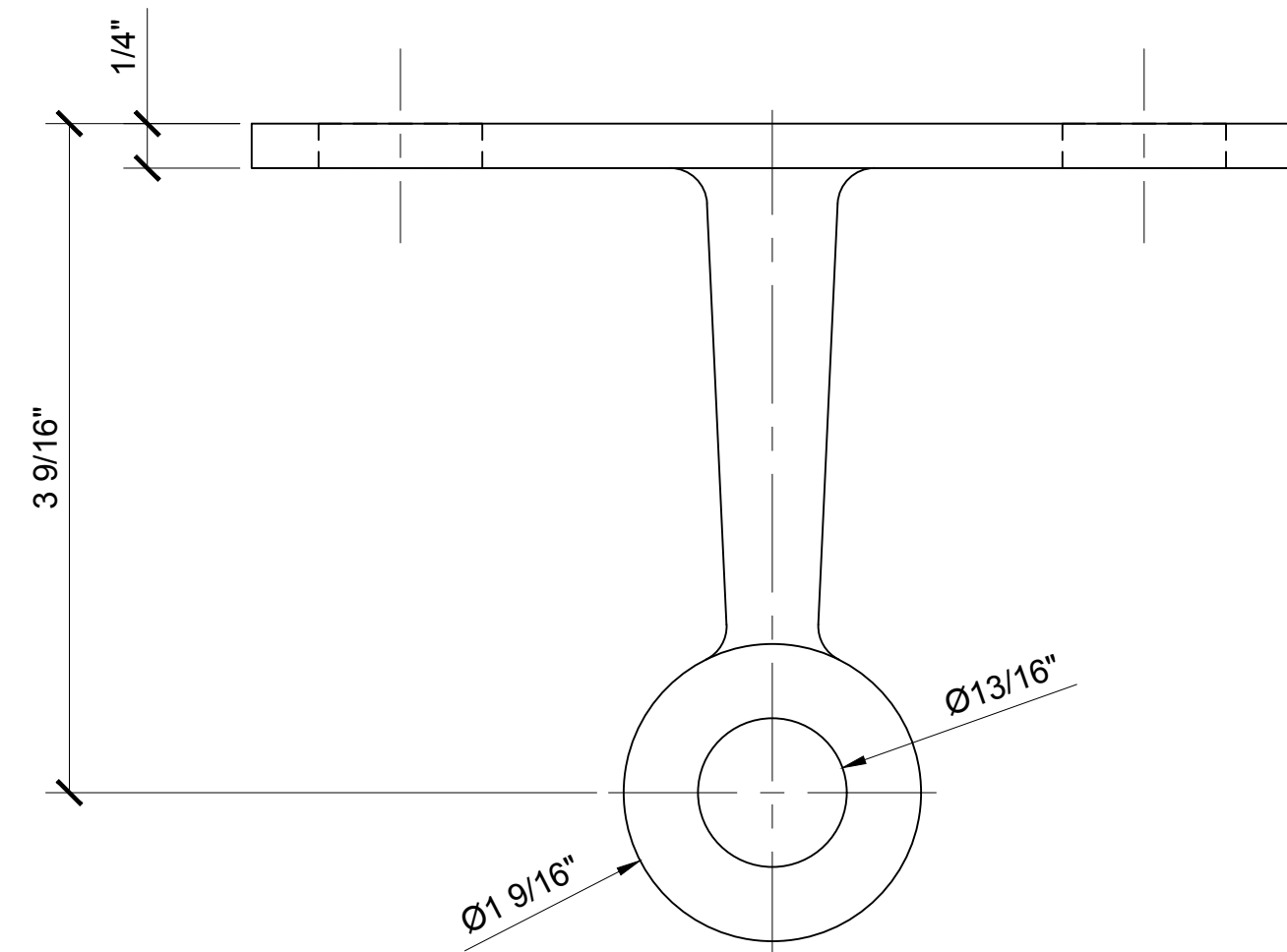
Revisions By:



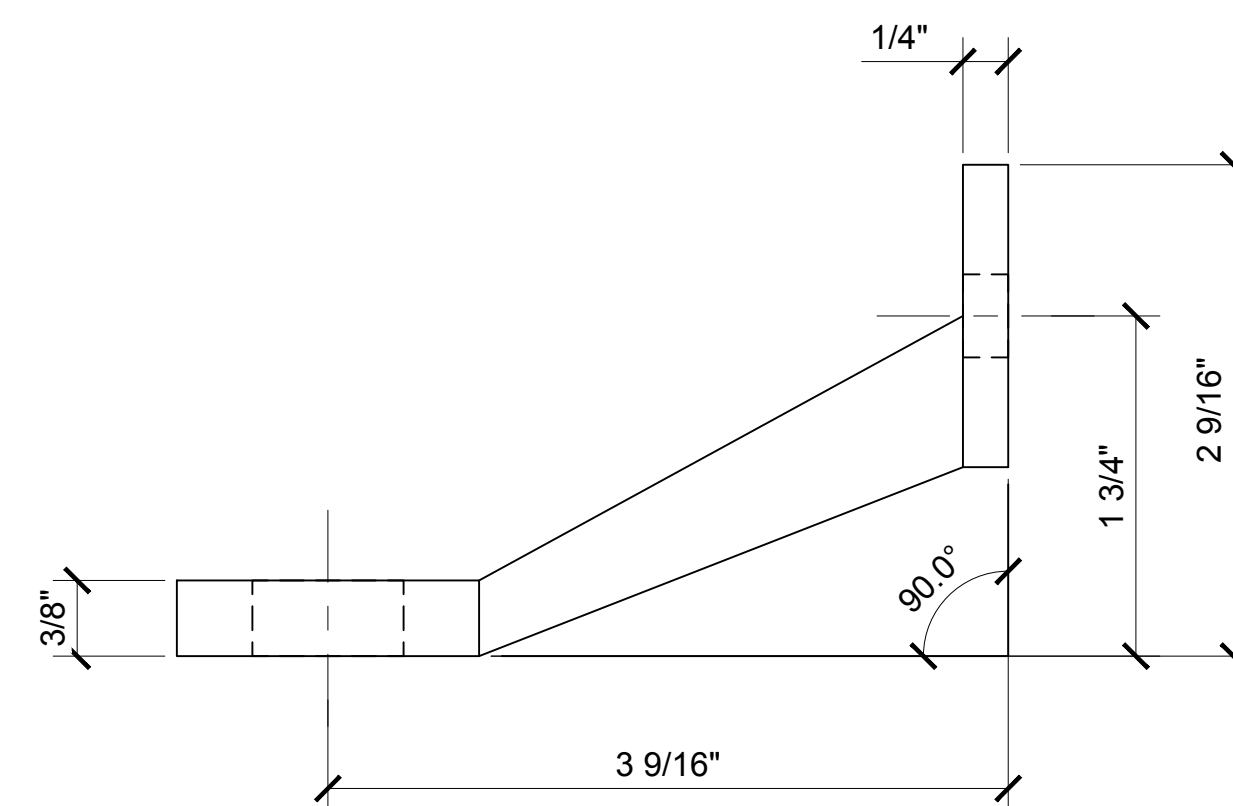
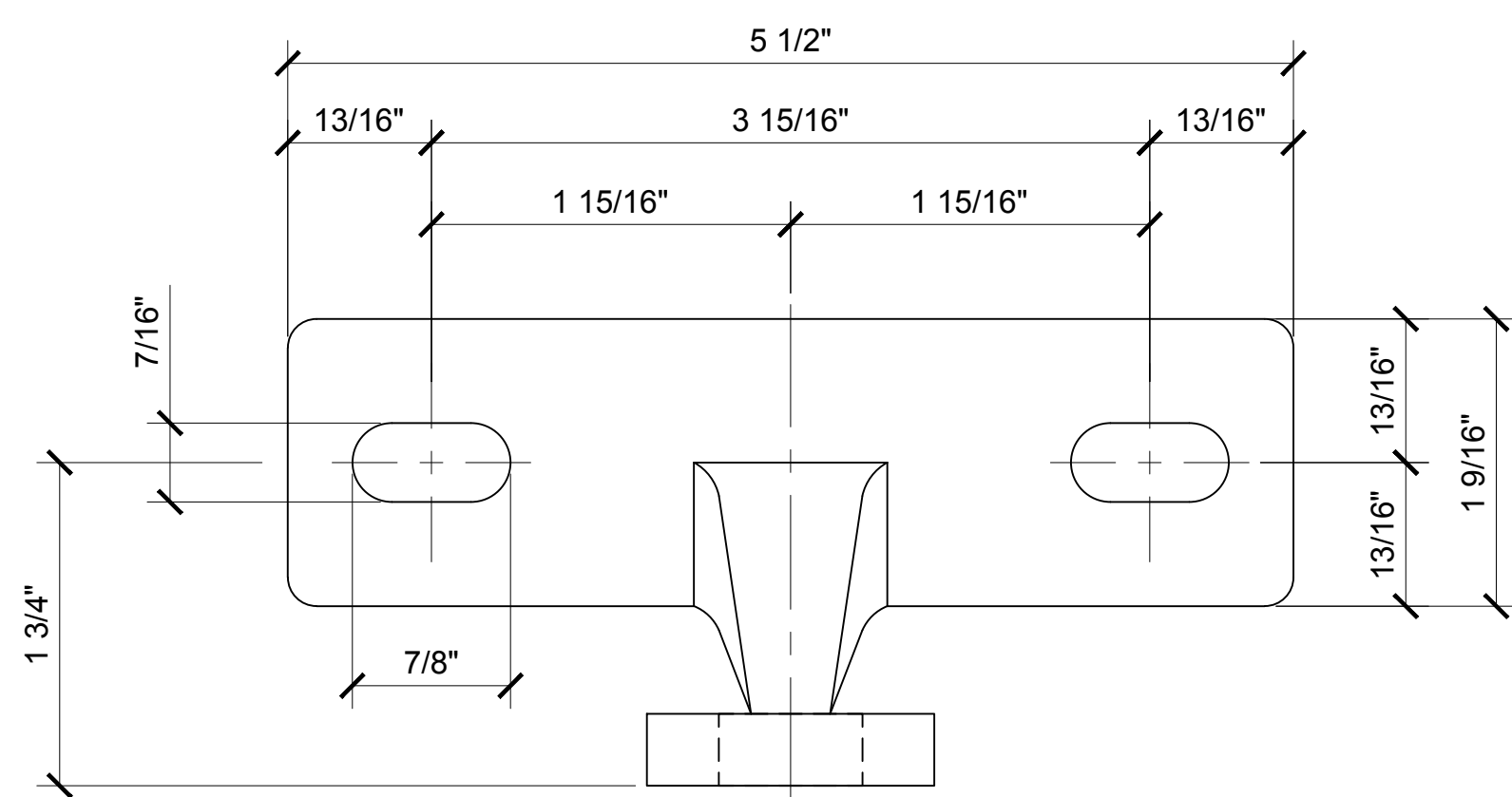
Description:
 CRL SPIDER FITTINGS

Drawn By: JRM
 Date: 4/4/17
 Scale: FULL
 File Name: Spider Fittings.dwg

Sheet



AVAILABLE FINISHES
 FMR1BS = BRUSHED STAINLESS STEEL
 FMR1PS = POLISHED STAINLESS STEEL



SINGLE ARM REGULAR-DUTY POST MOUNT FITTING FMR1

①

Revisions By:

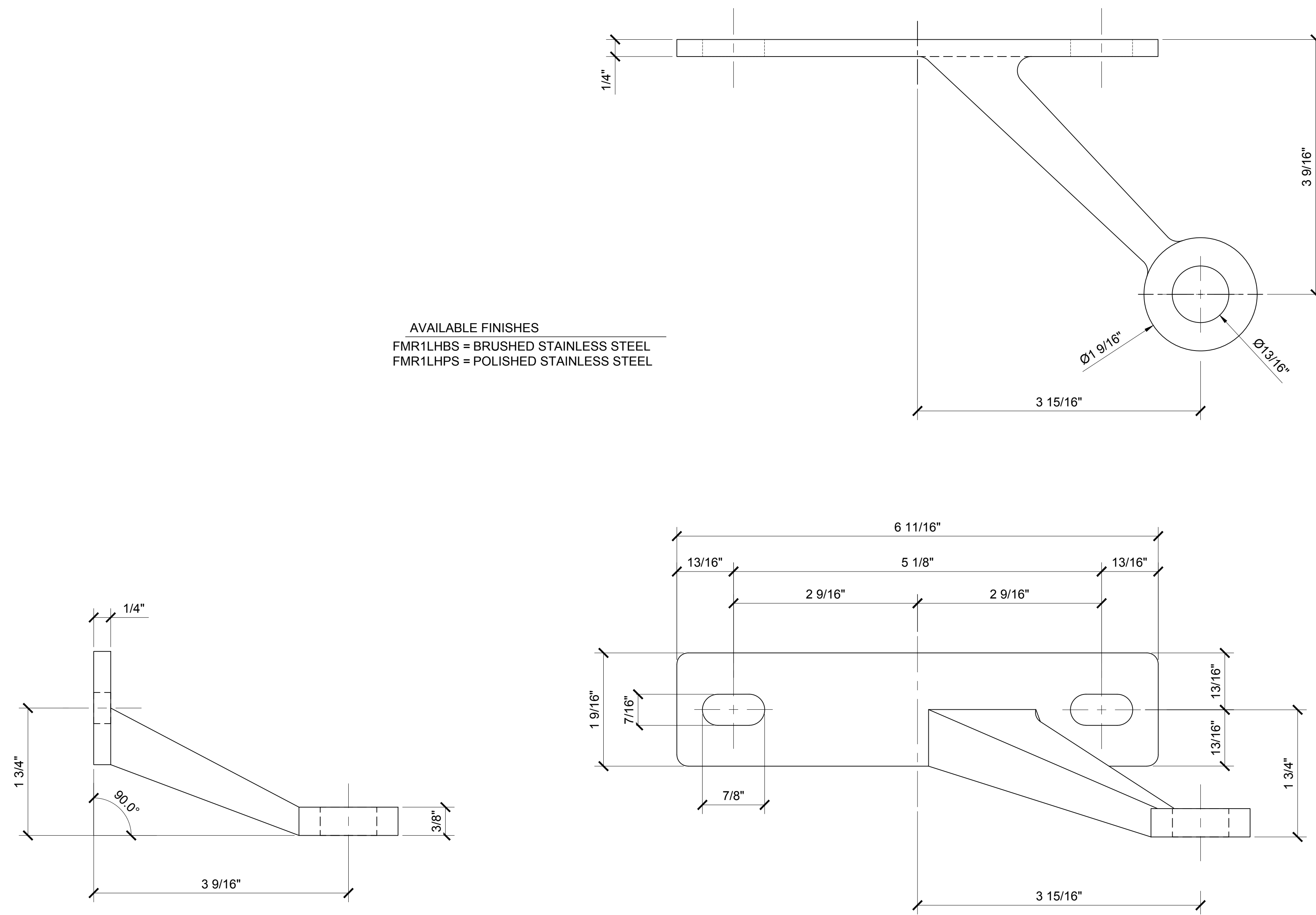


Description:
 CRL SPIDER FITTINGS

Drawn By: JRM
 Date: 4/4/17
 Scale: FULL
 File Name: Spider Fittings.dwg

Sheet

5



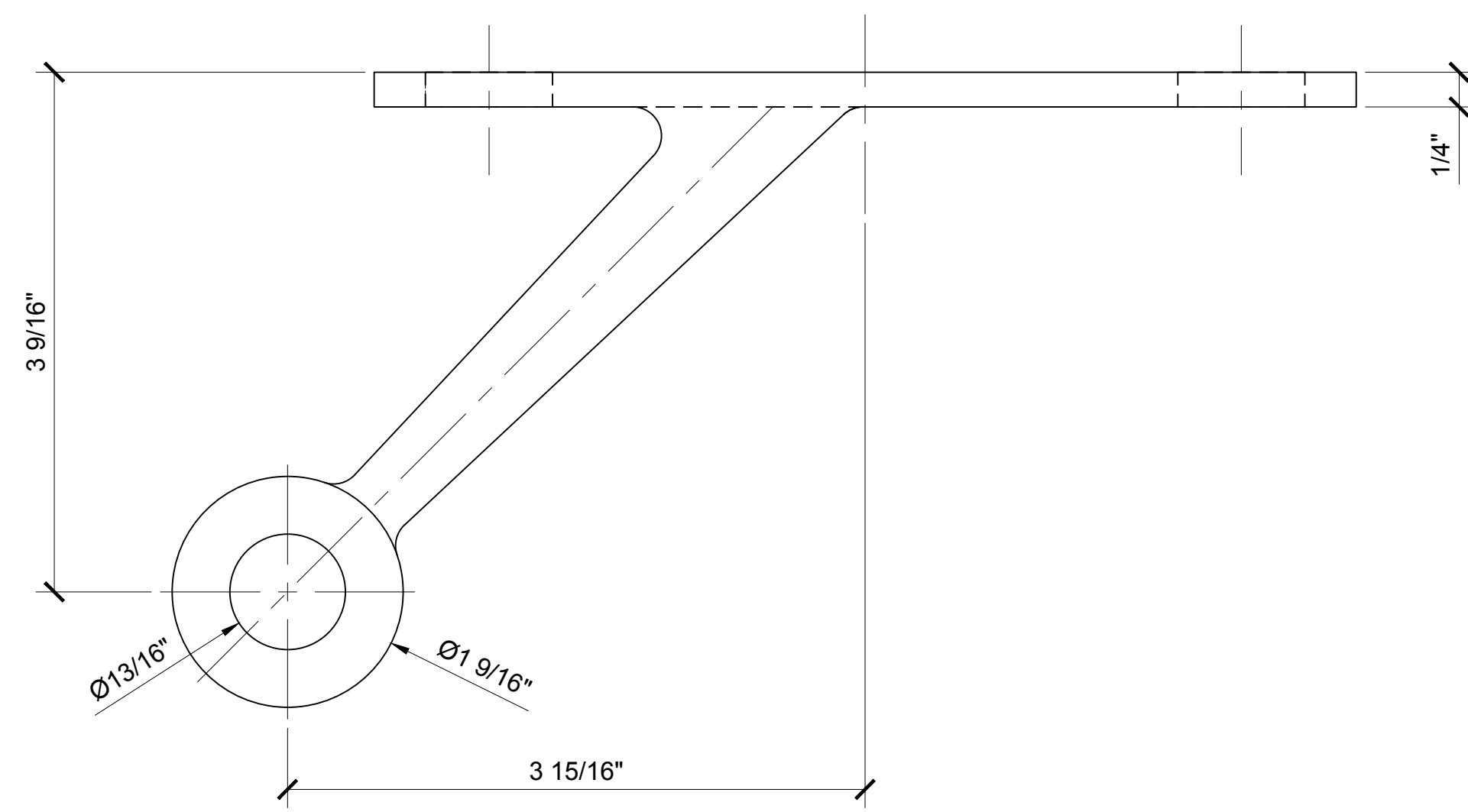
LEFT HAND SINGLE ARM REGULAR-DUTY POST MOUNT FITTING FMR1LH ①

Revisions By:

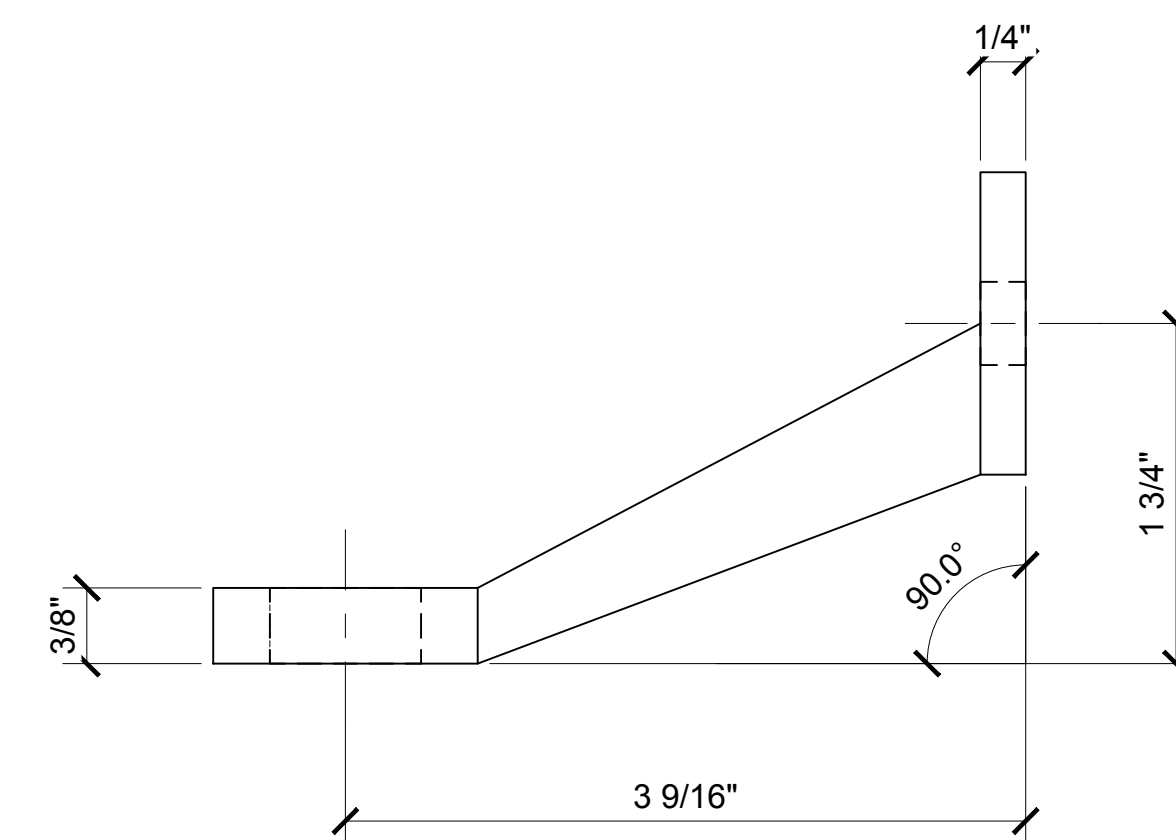
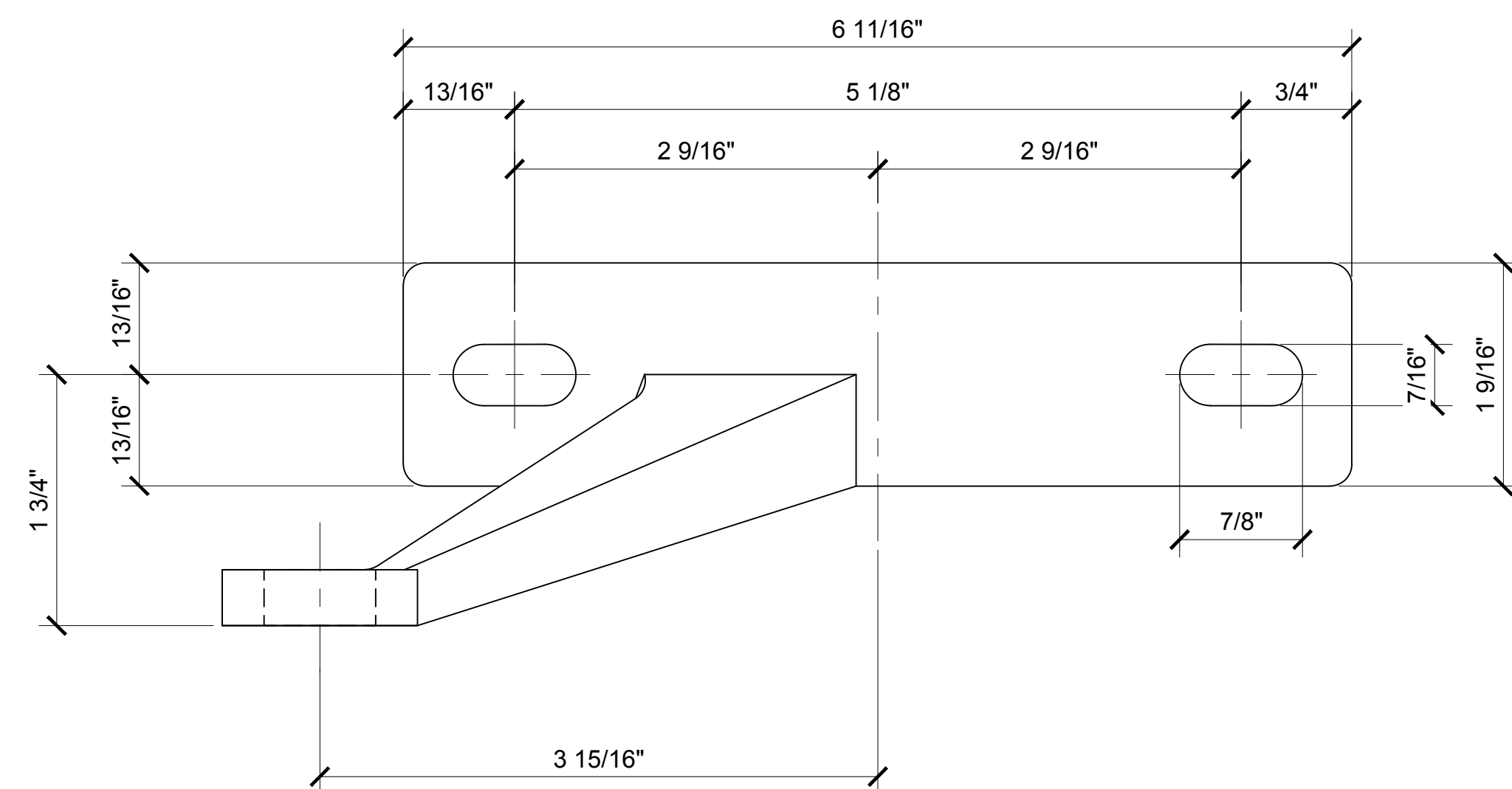
C.R. LAURENCE CO. ARCHITECTURAL PRODUCTS
2503 E. Vernon Avenue, Los Angeles, CA 90058-1897
PH: (800)-421-6144 FX: 800-587-7301 www.crlaurence.com

Description:
CRL SPIDER FITTINGS

Drawn By: JRM
Date: 4/4/17
Scale: FULL
File Name: Spider Fittings.dwg



AVAILABLE FINISHES
 FMR1RHBS = BRUSHED STAINLESS STEEL
 FMR1RHPS = POLISHED STAINLESS STEEL



RIGHT HAND SINGLE ARM REGULAR-DUTY POST MOUNT FITTING FMR1RH ①

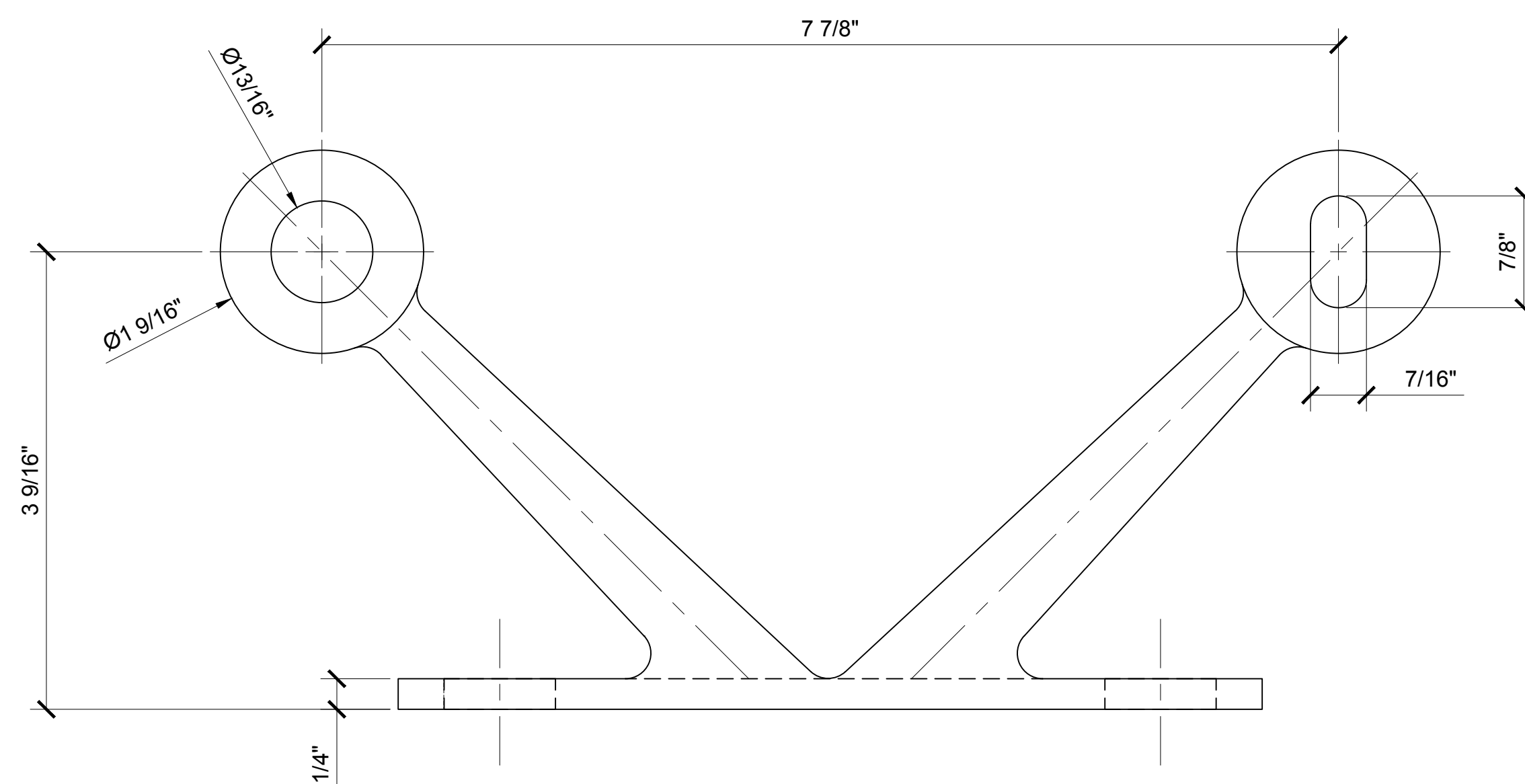
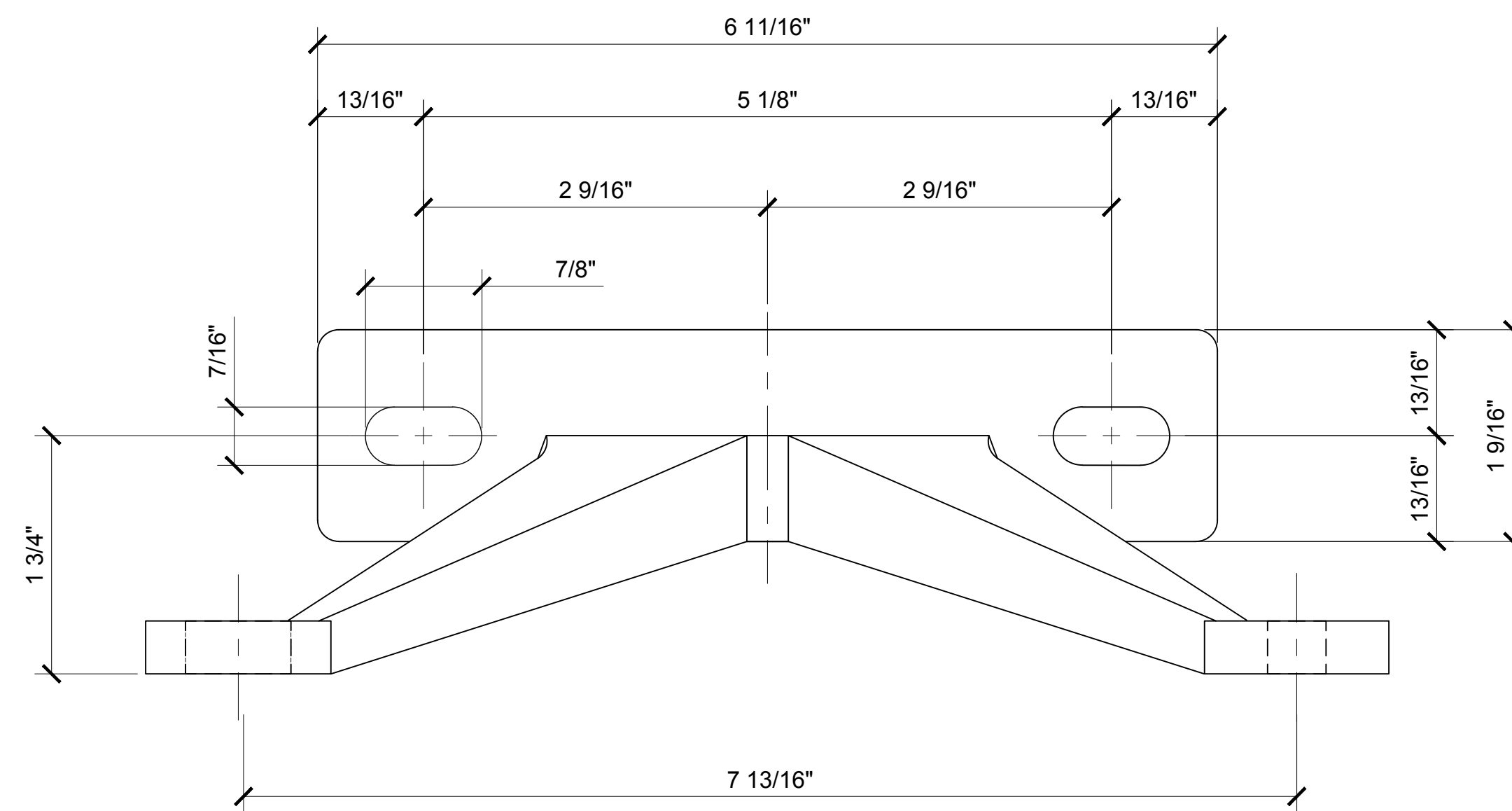
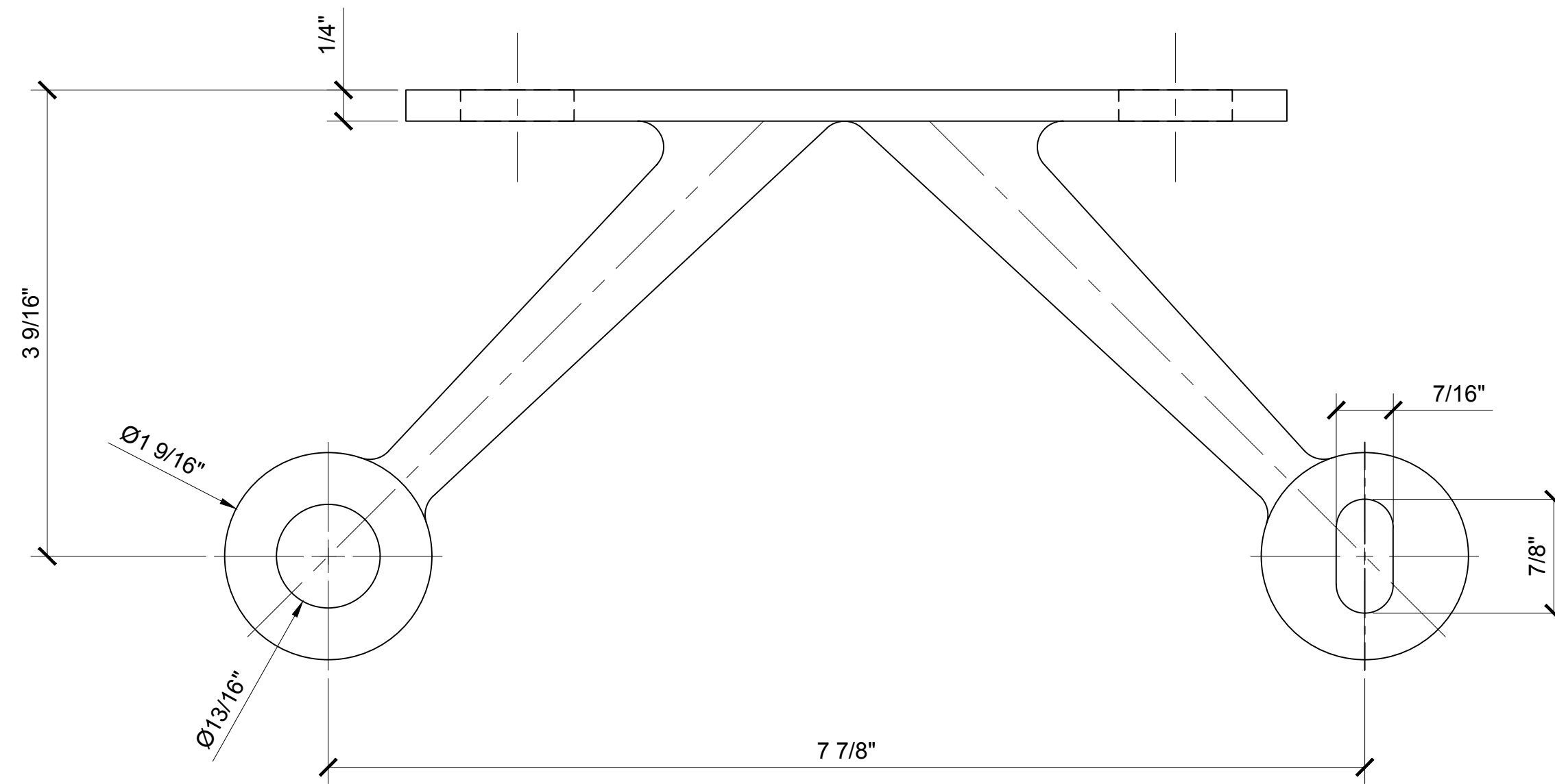
Revisions By:



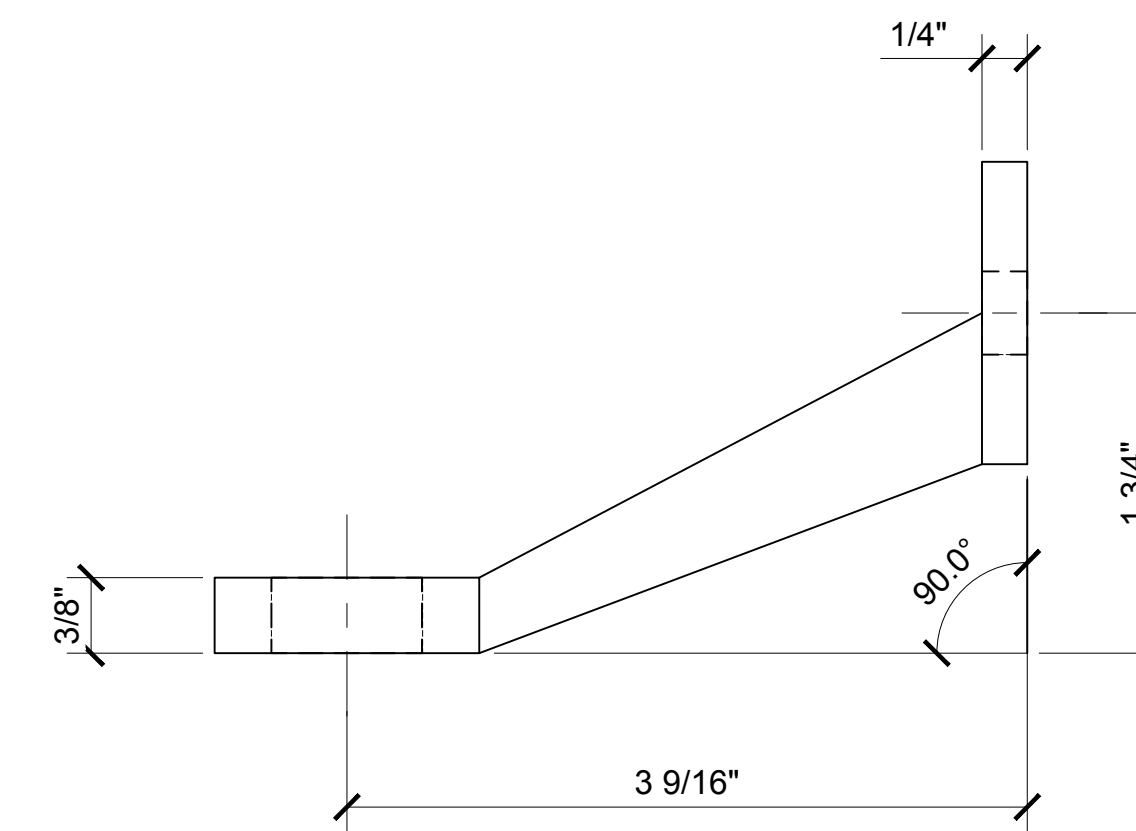
Description:
 CRL SPIDER FITTINGS

Drawn By: JRM
 Date: 4/4/17
 Scale: FULL
 File Name: Spider Fittings.dwg

Sheet



AVAILABLE FINISHES
 FMR2VBS = BRUSHED STAINLESS STEEL
 FMR2VPS = POLISHED STAINLESS STEEL



DOUBLE ARM "V" REGULAR-DUTY POST MOUNT FITTING FMR2V

1

Revisions By:

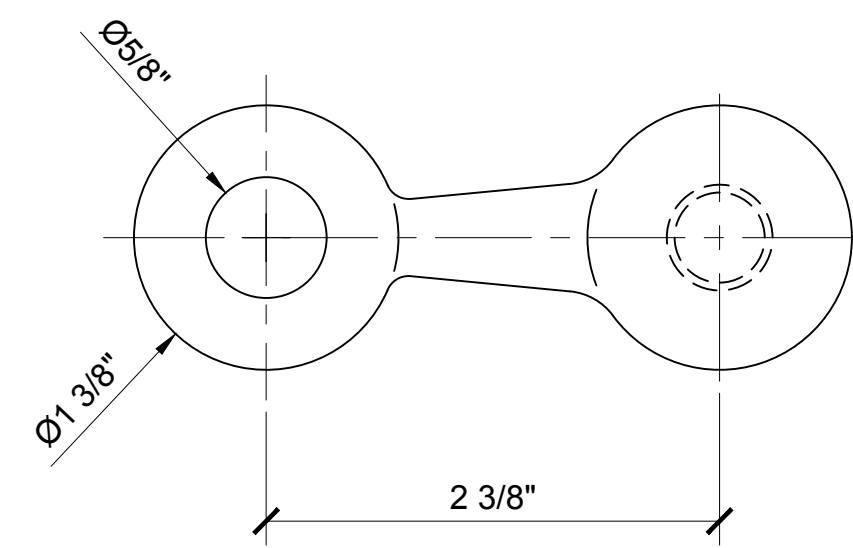


Description:
 CRL SPIDER FITTINGS

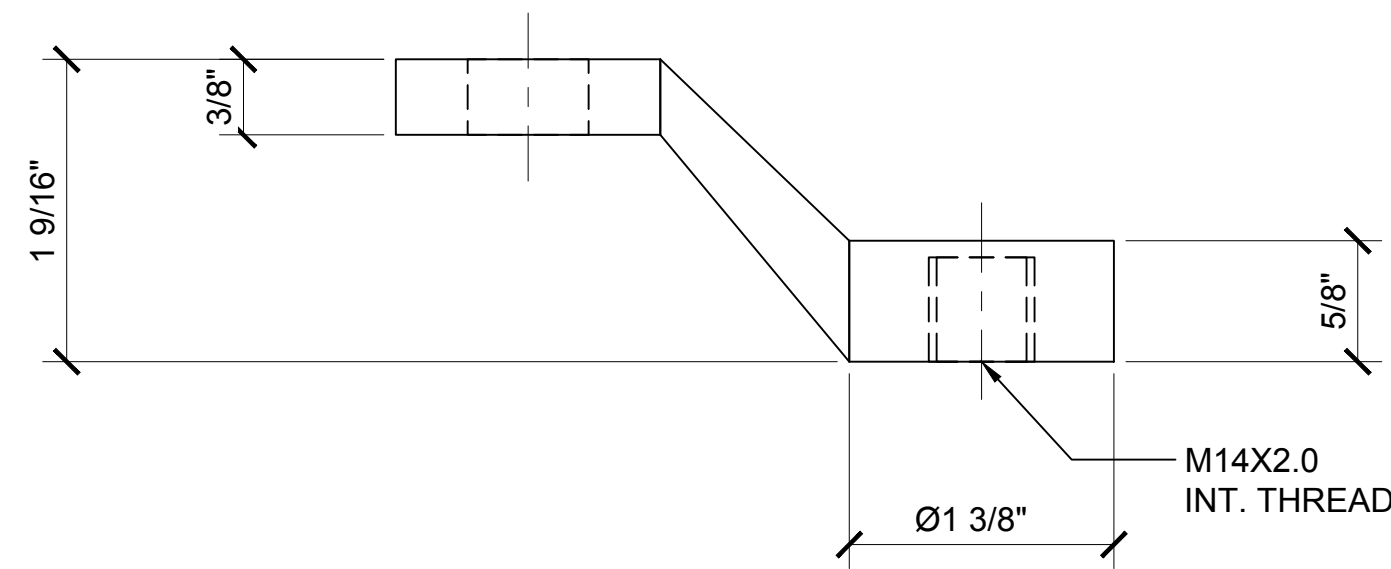
Drawn By: JRM
 Date: 4/4/17
 Scale: FULL
 File Name: Spider Fittings.dwg

Sheet

8

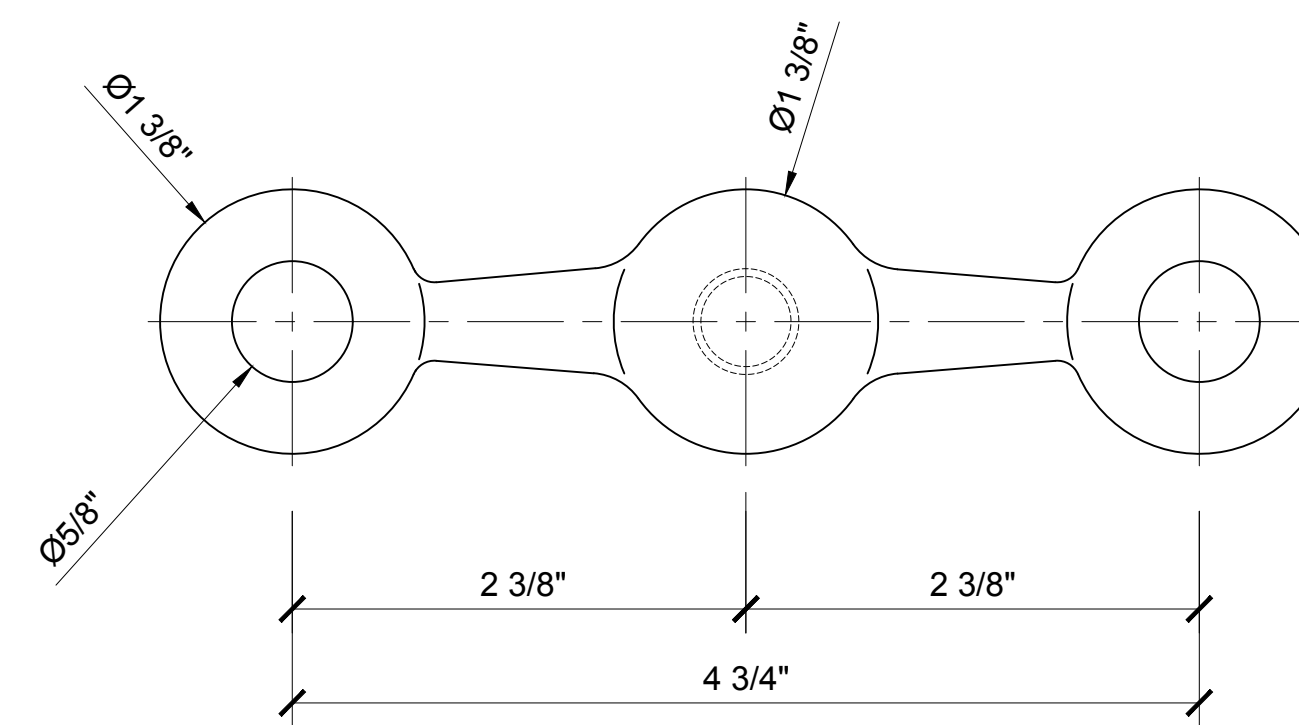


AVAILABLE FINISHES
 GRP1BS = BRUSHED STAINLESS STEEL
 GRP1PS = POLISHED STAINLESS STEEL

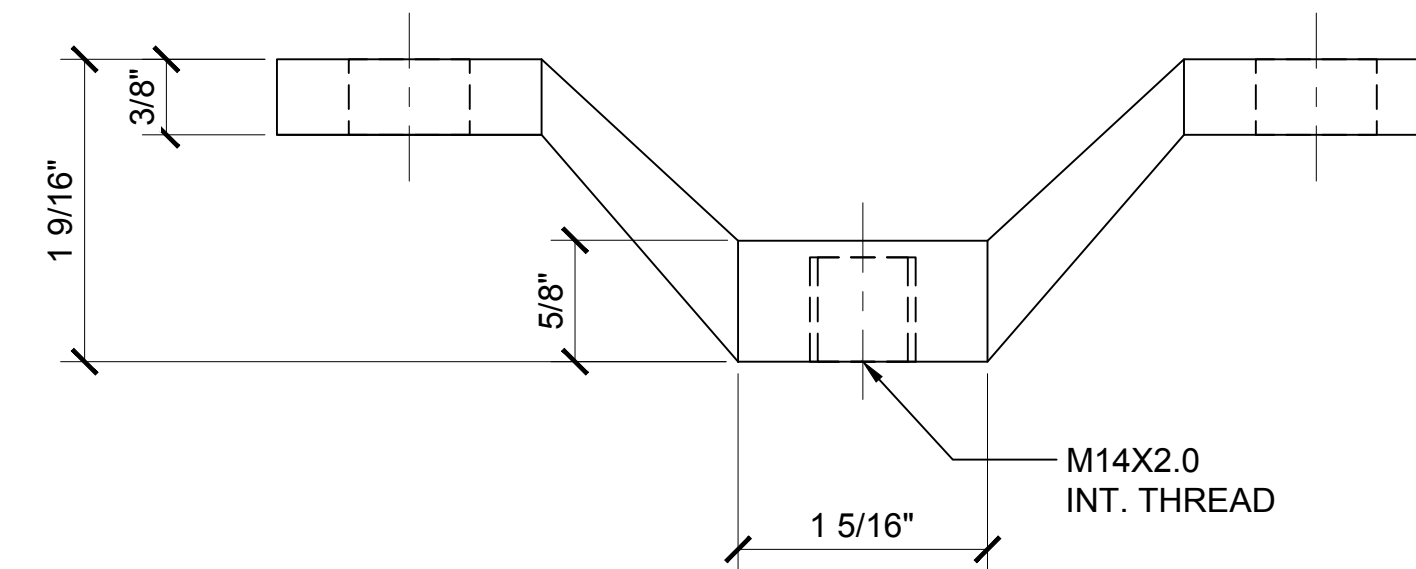


SINGLE ARM POST MOUNTED FITTING GRP1

1

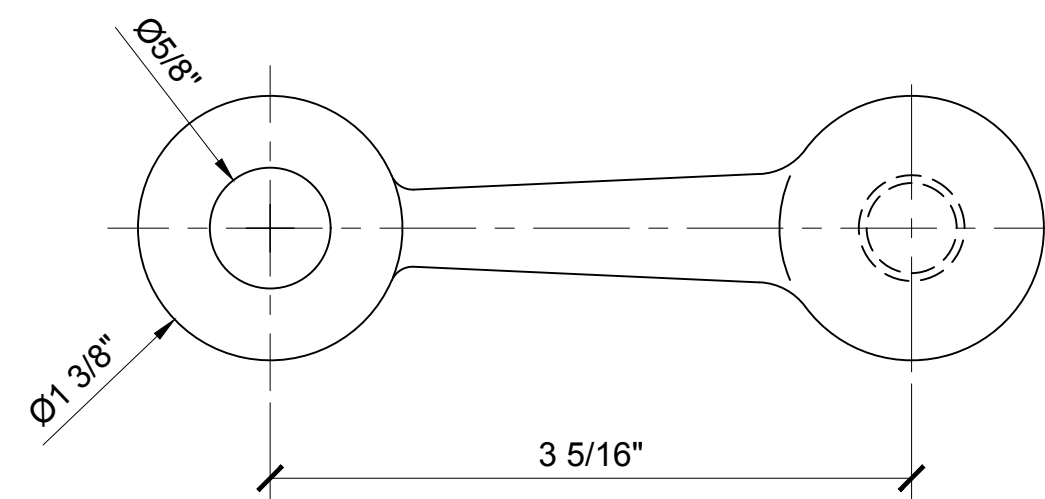


AVAILABLE FINISHES
 GRP2BS = BRUSHED STAINLESS STEEL
 GRP2PS = POLISHED STAINLESS STEEL

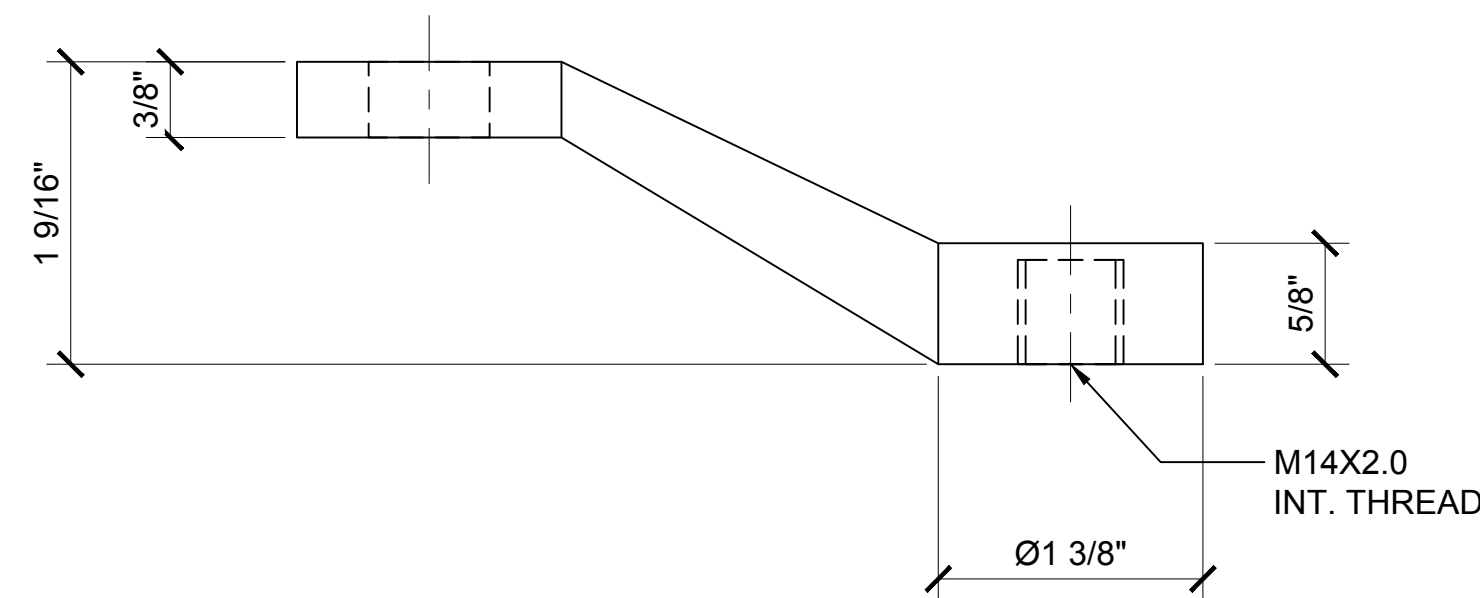


DOUBLE ARM POST MOUNTED FITTING GRP2

2

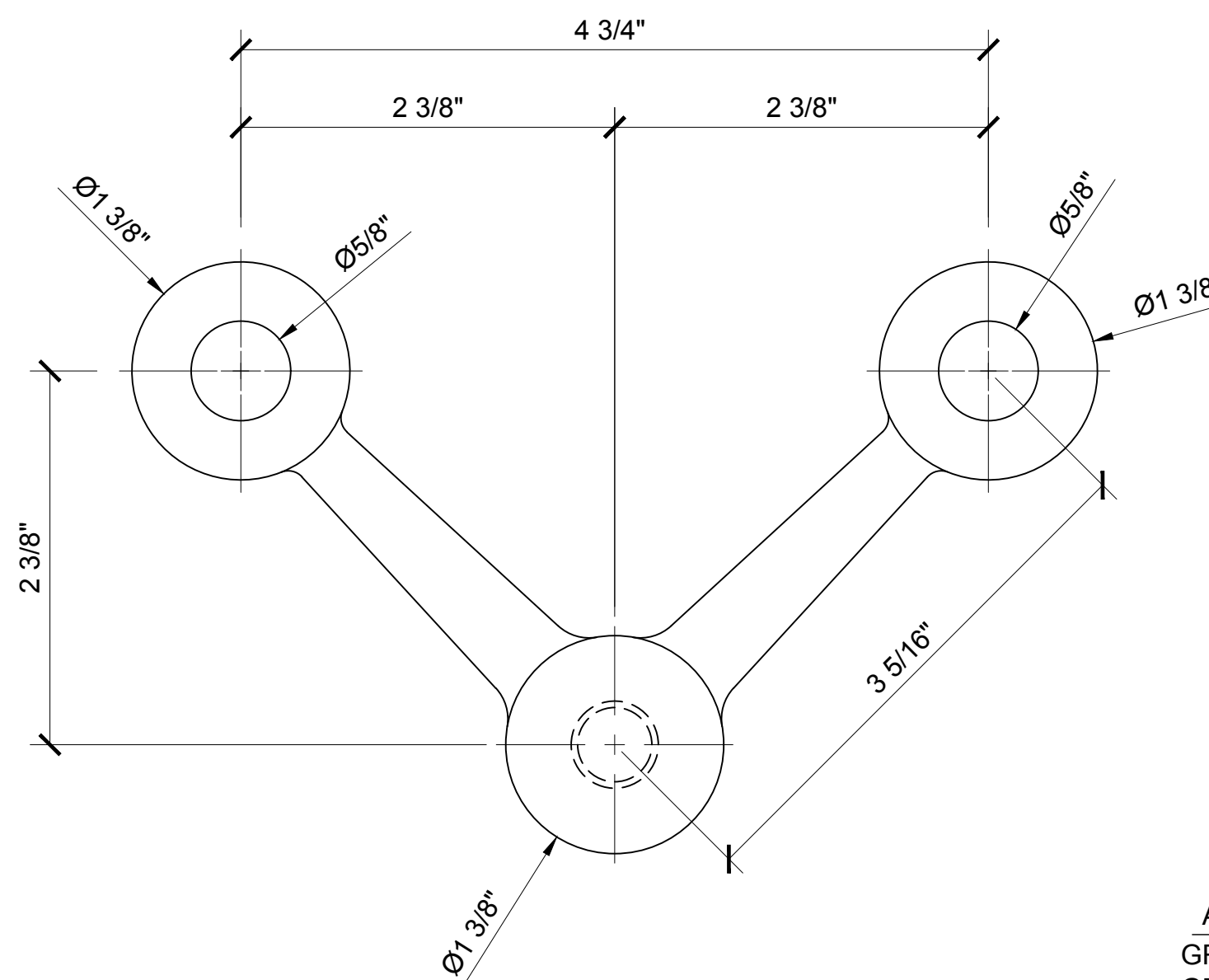


AVAILABLE FINISHES
 GRP1LBS = BRUSHED STAINLESS STEEL
 GRP1LPS = POLISHED STAINLESS STEEL

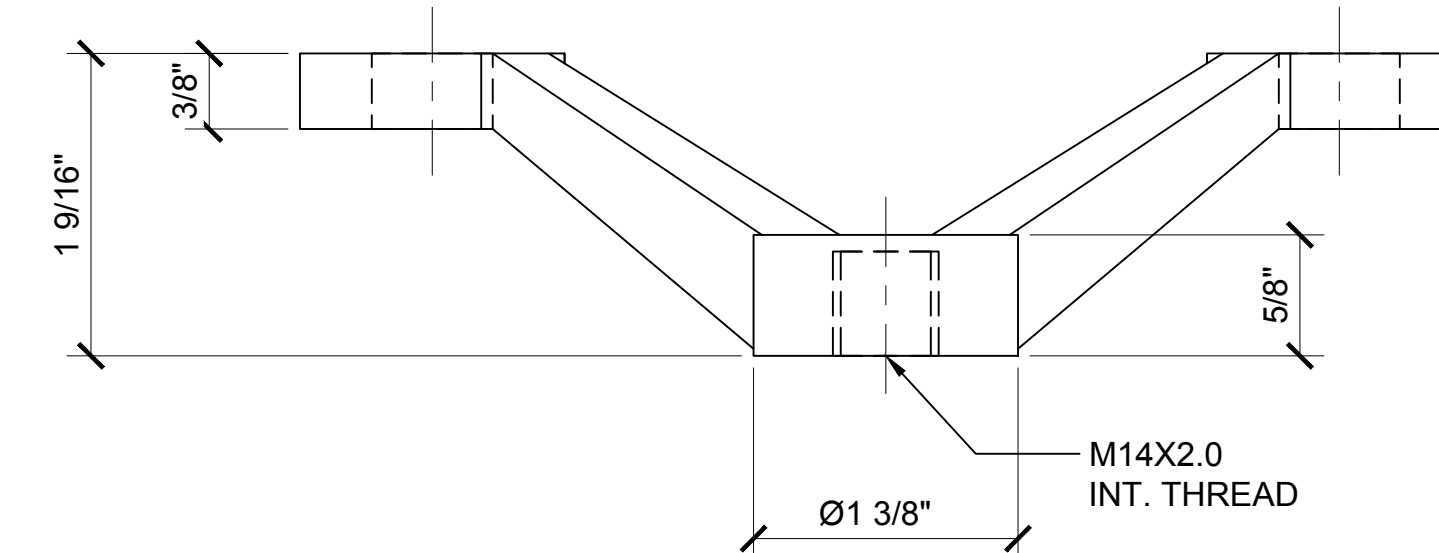


SINGLE LONG ARM POST MOUNTED FITTING GRP1L

3



AVAILABLE FINISHES
 GRP2VBS = BRUSHED STAINLESS STEEL
 GRP2VPS = POLISHED STAINLESS STEEL



DOUBLE ARM "V" POST MOUNTED FITTING GRP2V

4

Revisions By:

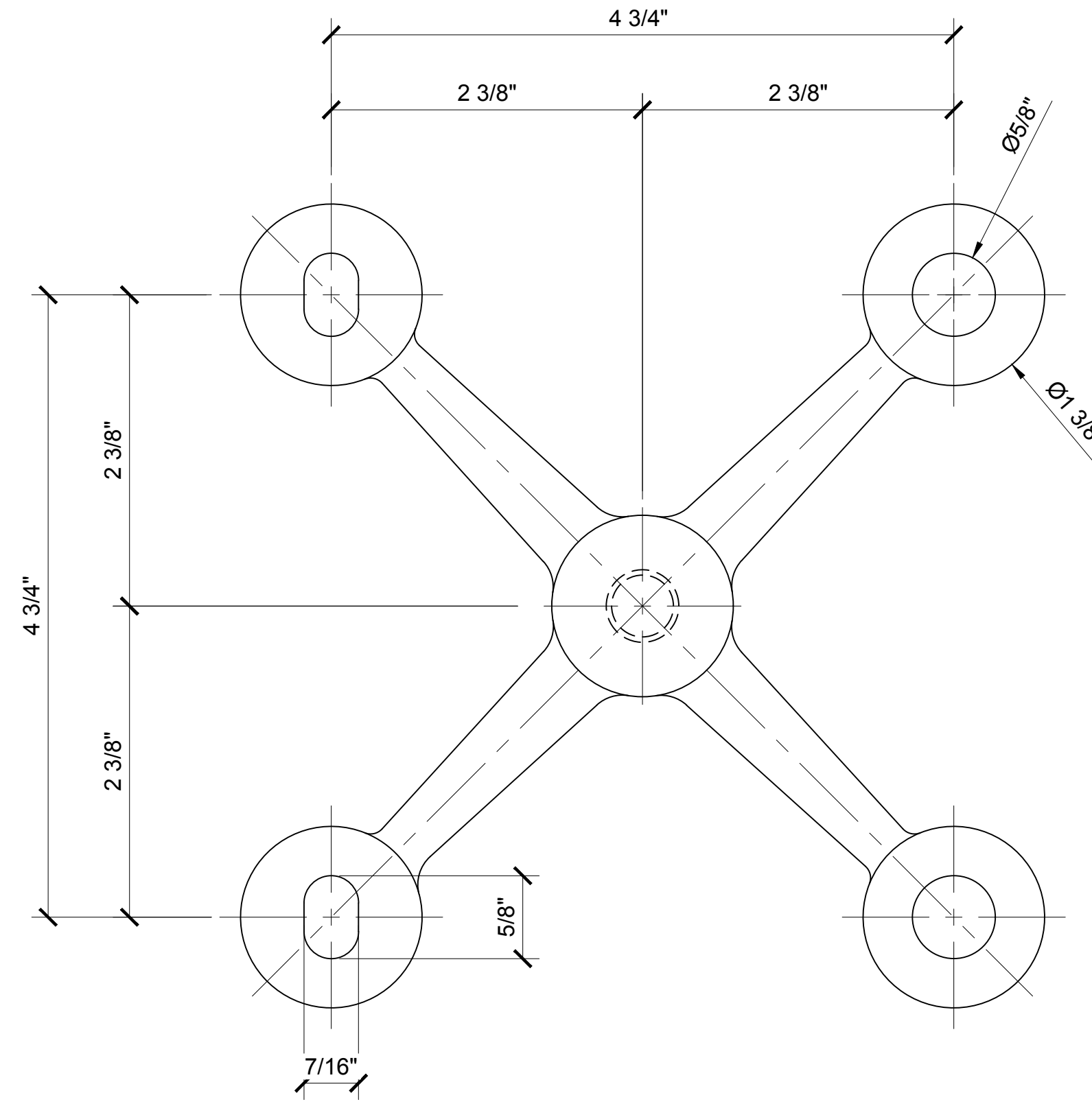


C.R. LAURENCE CO. ARCHITECTURAL PRODUCTS
 2503 E. Vernon Avenue, Los Angeles, CA 90058-1897
 PH: (800)-421-6144 FX: 800-587-7301 www.crlaurence.com

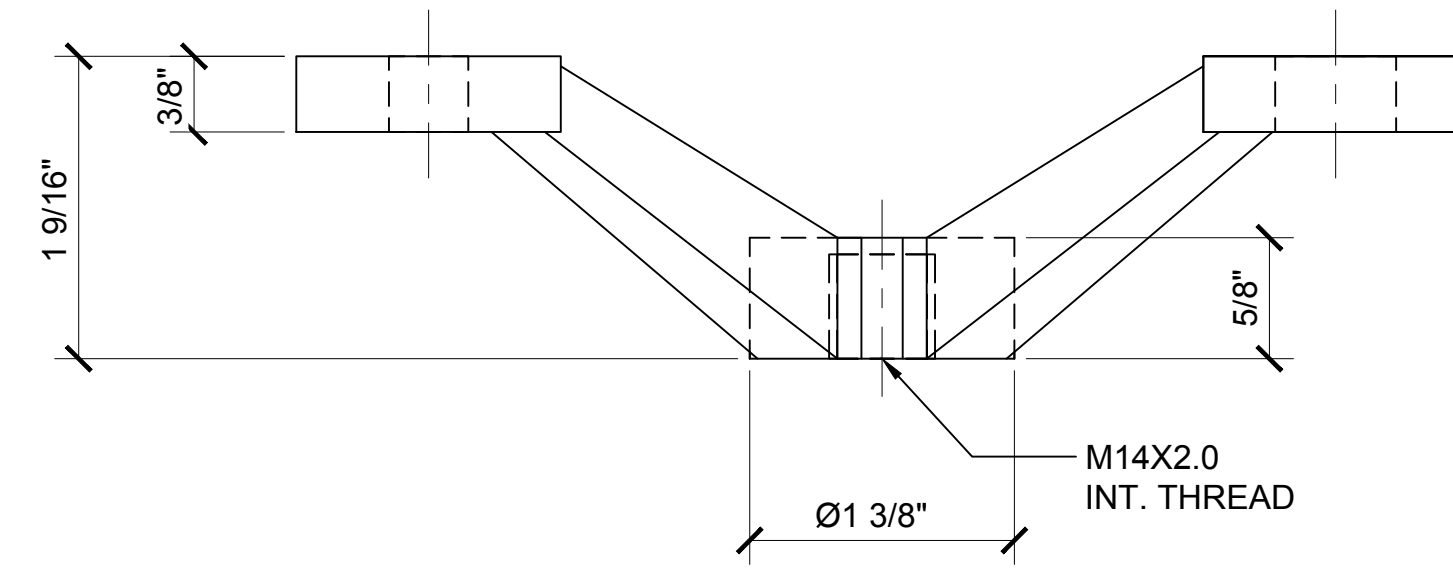
Description:
 CRL SPIDER FITTINGS

Drawn By: JRM
 Date: 4/4/17
 Scale: FULL
 File Name: Spider Fittings.dwg

Sheet



AVAILABLE FINISHES
 GRP4BS = BRUSHED STAINLESS STEEL
 GRP4PS = POLISHED STAINLESS STEEL



FOUR ARM "V" POST MOUNTED FITTING GRP4 ①

Revisions By:

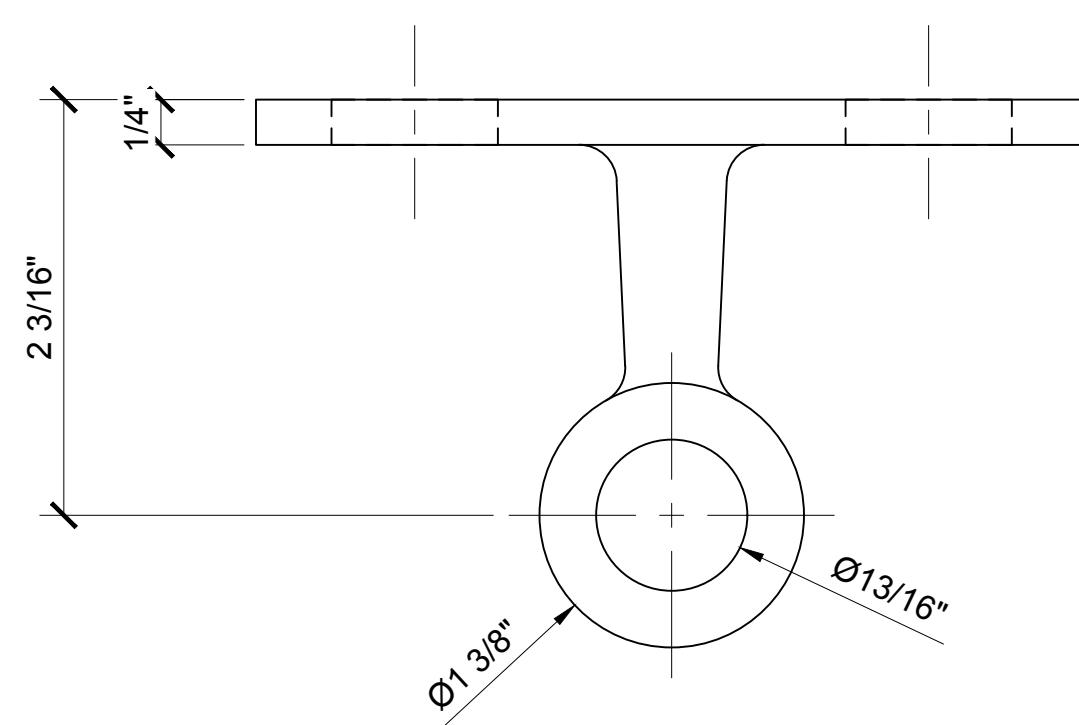


Description:
 CRL SPIDER FITTINGS

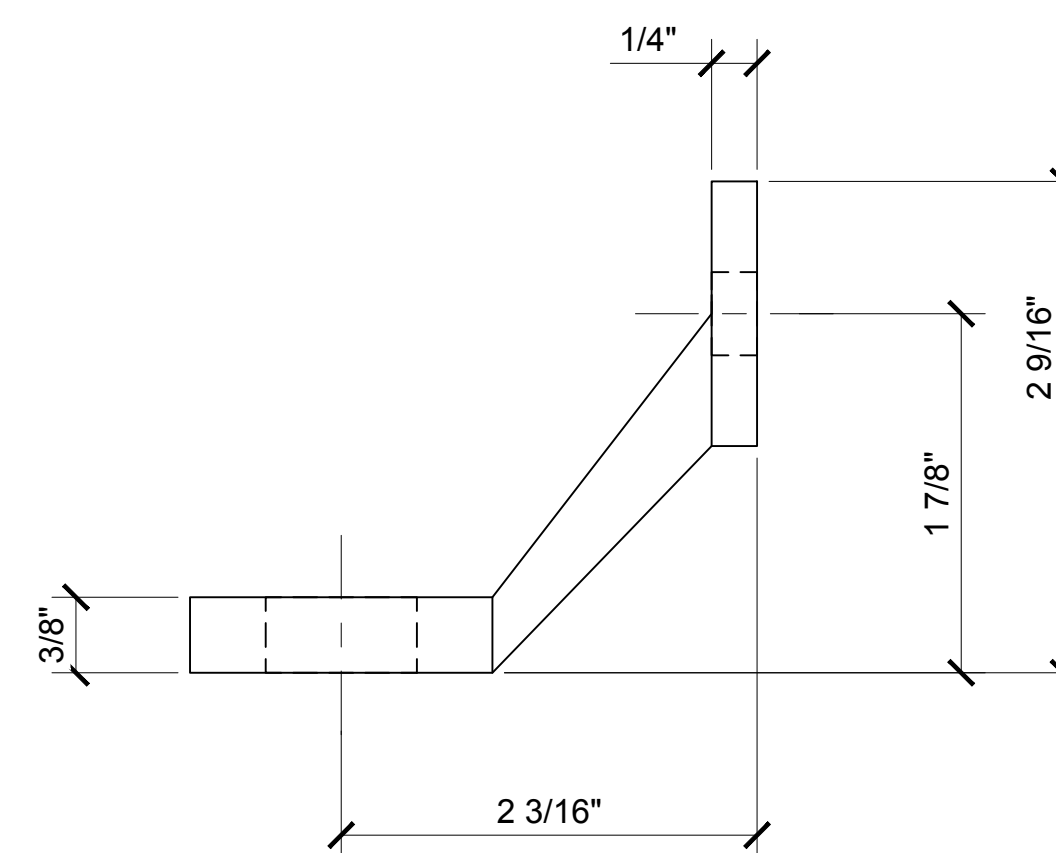
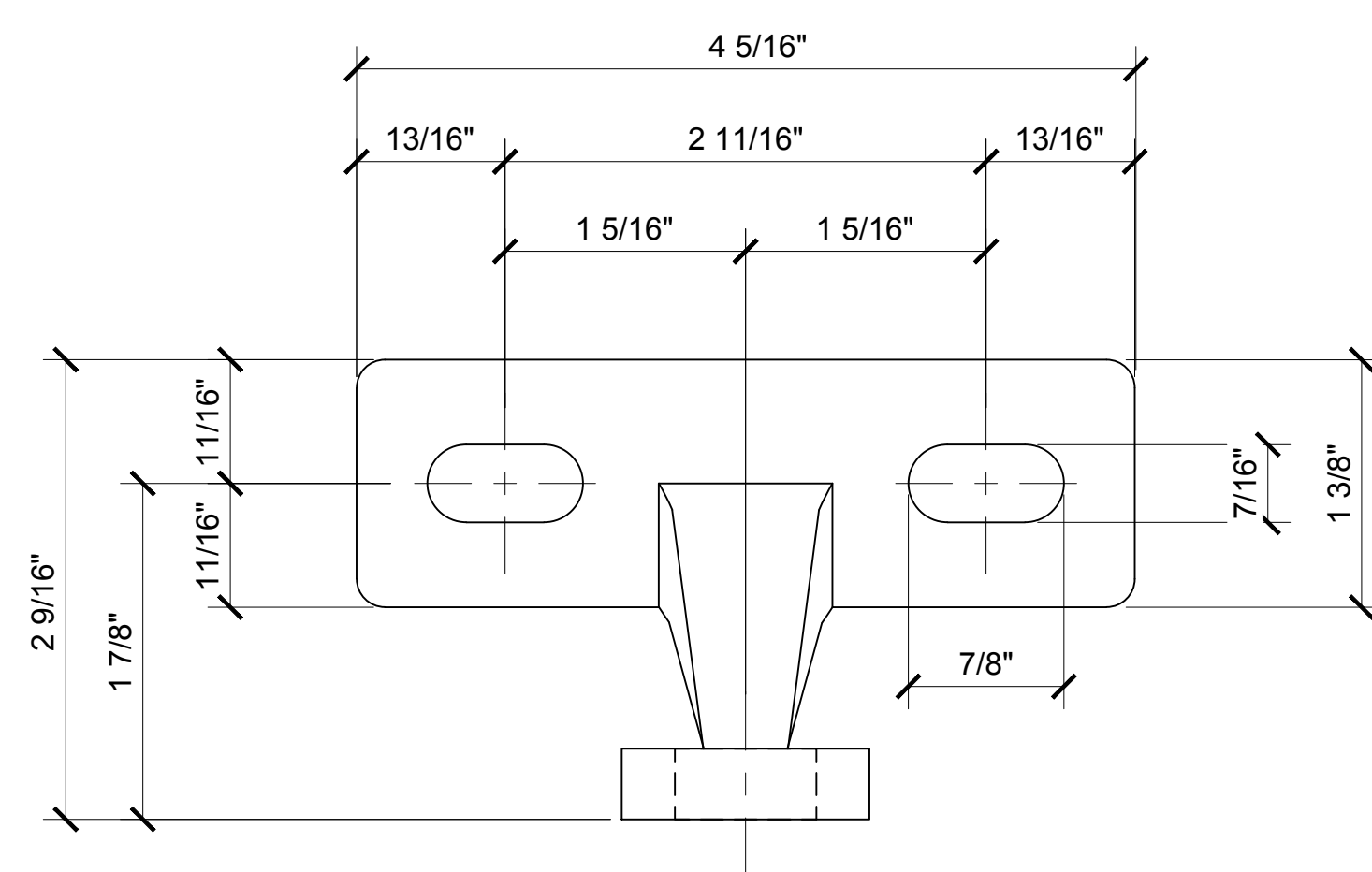
Drawn By: JRM
 Date: 4/4/17
 Scale: FULL
 File Name: Spider Fittings.dwg

Sheet

Revisions By:



AVAILABLE FINISHES
GRF1BS = BRUSHED STAINLESS STEEL
GRF1PS = POLISHED STAINLESS STEEL



SINGLE ARM WALL/FIN MOUNTED FITTING GRF1

1

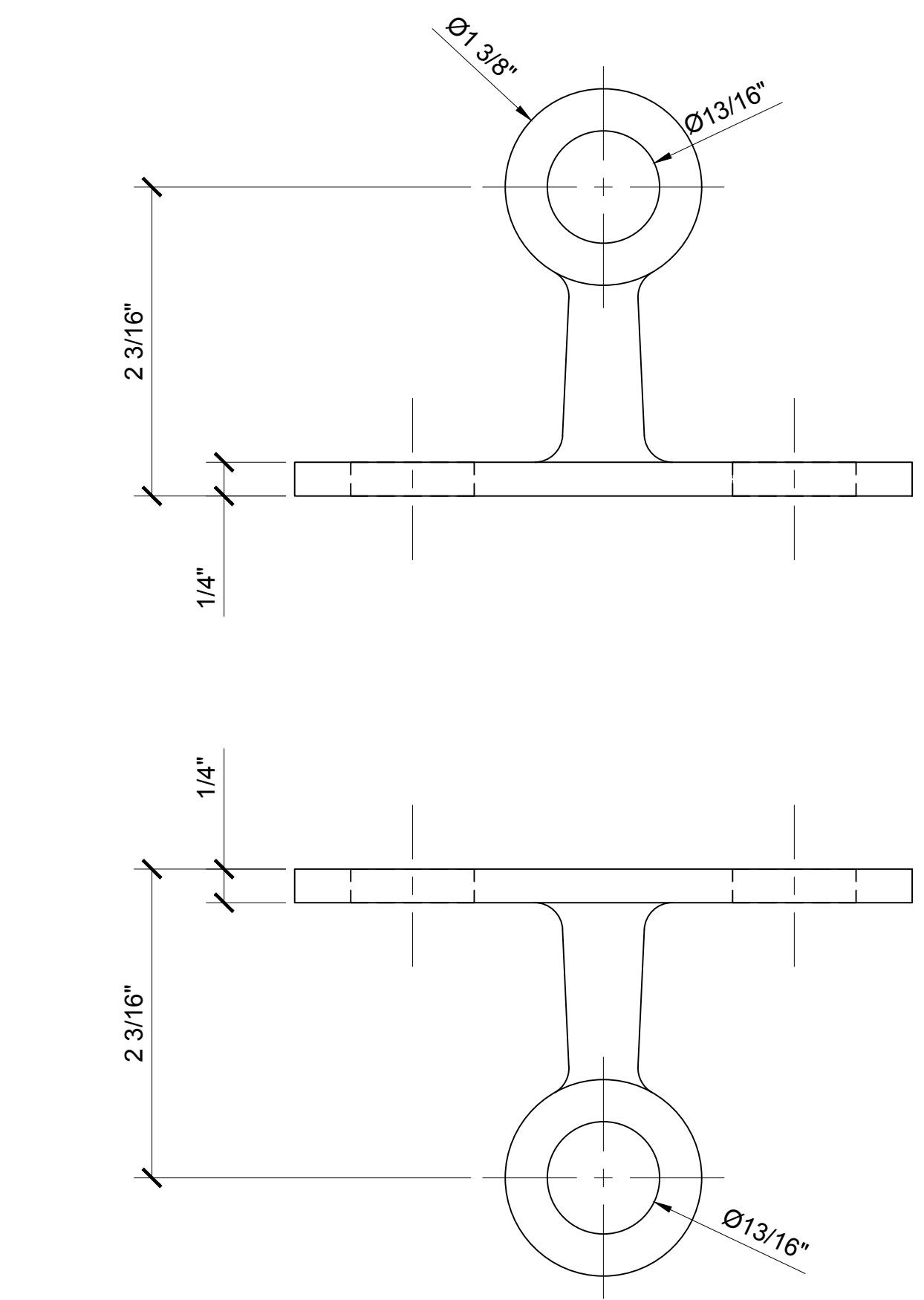
Description:

CRL SPIDER FITTINGS

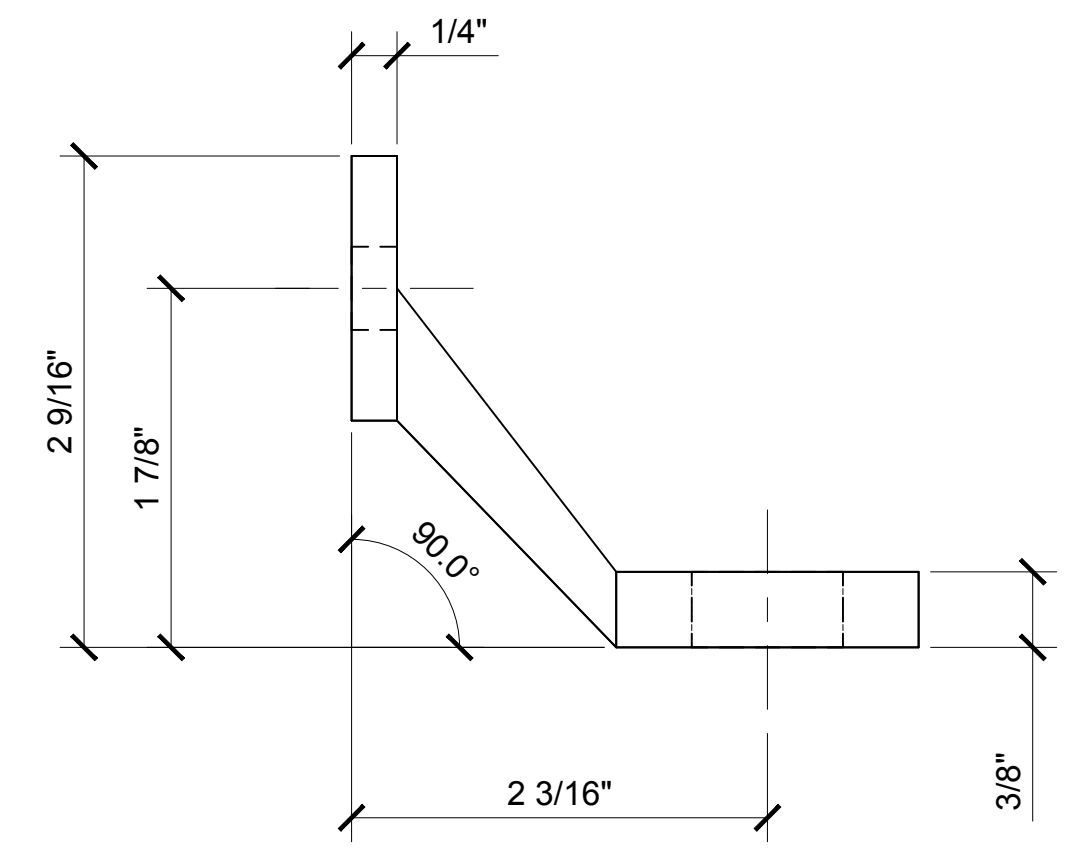
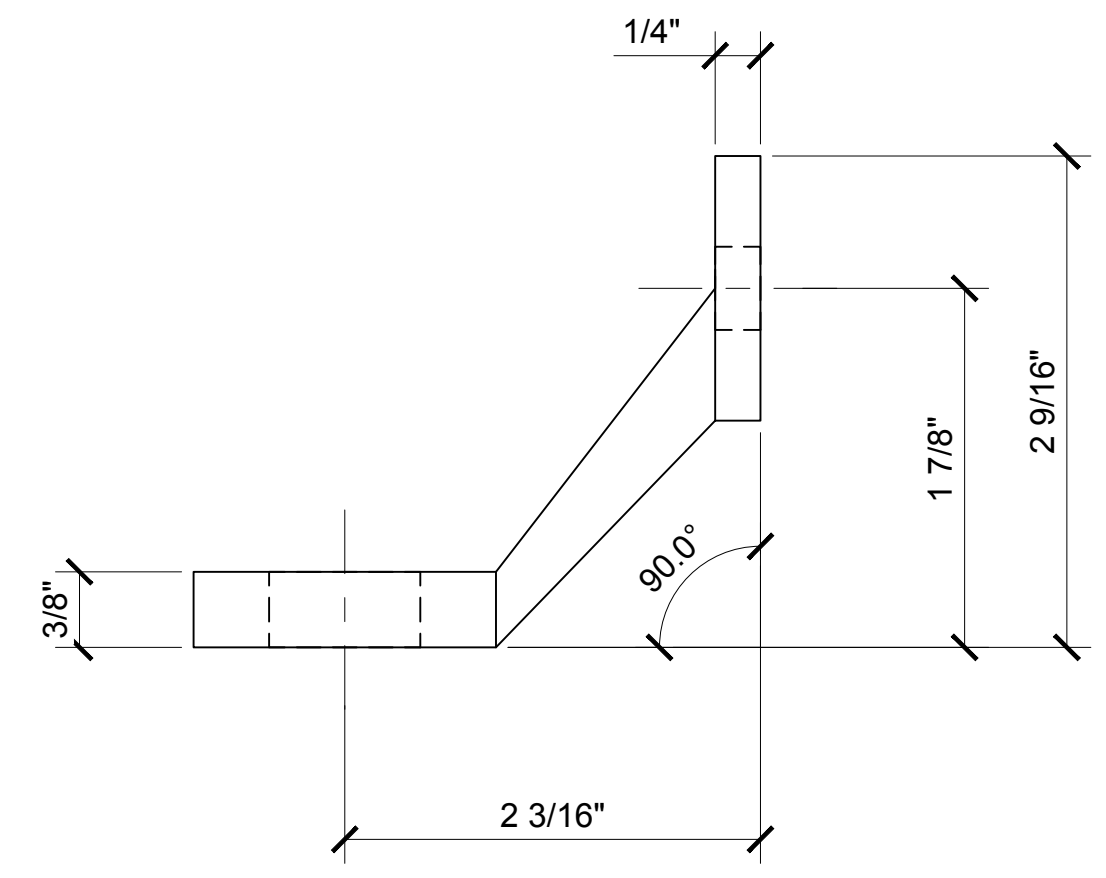
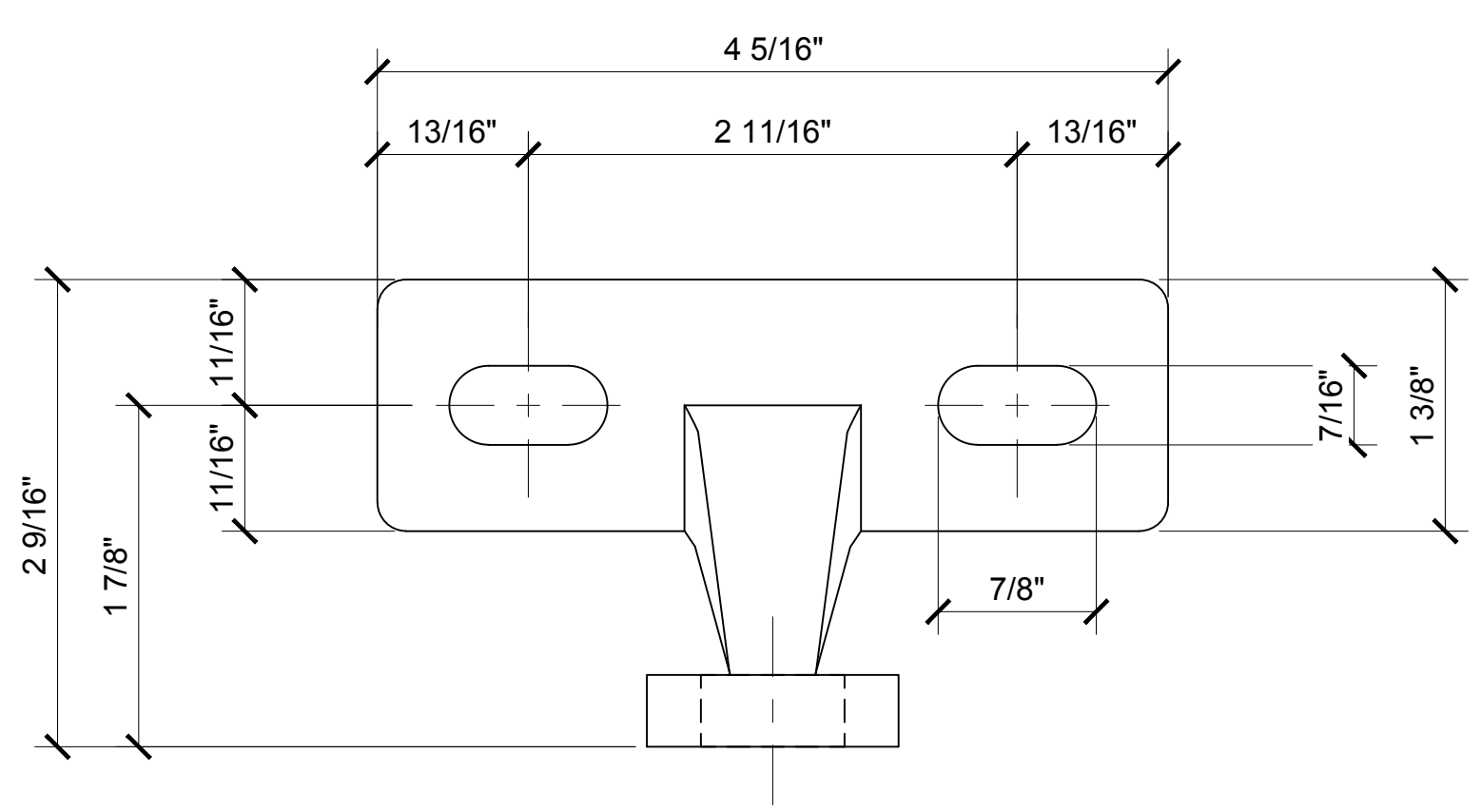
Drawn By: JRM
Date: 4/4/17
Scale: FULL
File Name: Spider Fittings.dwg

Sheet

12



AVAILABLE FINISHES
 GRF2BS = BRUSHED STAINLESS STEEL
 GRF2PS = POLISHED STAINLESS STEEL



DOUBLE ARM WALL/FIN MOUNTED FITTING GRF2

1

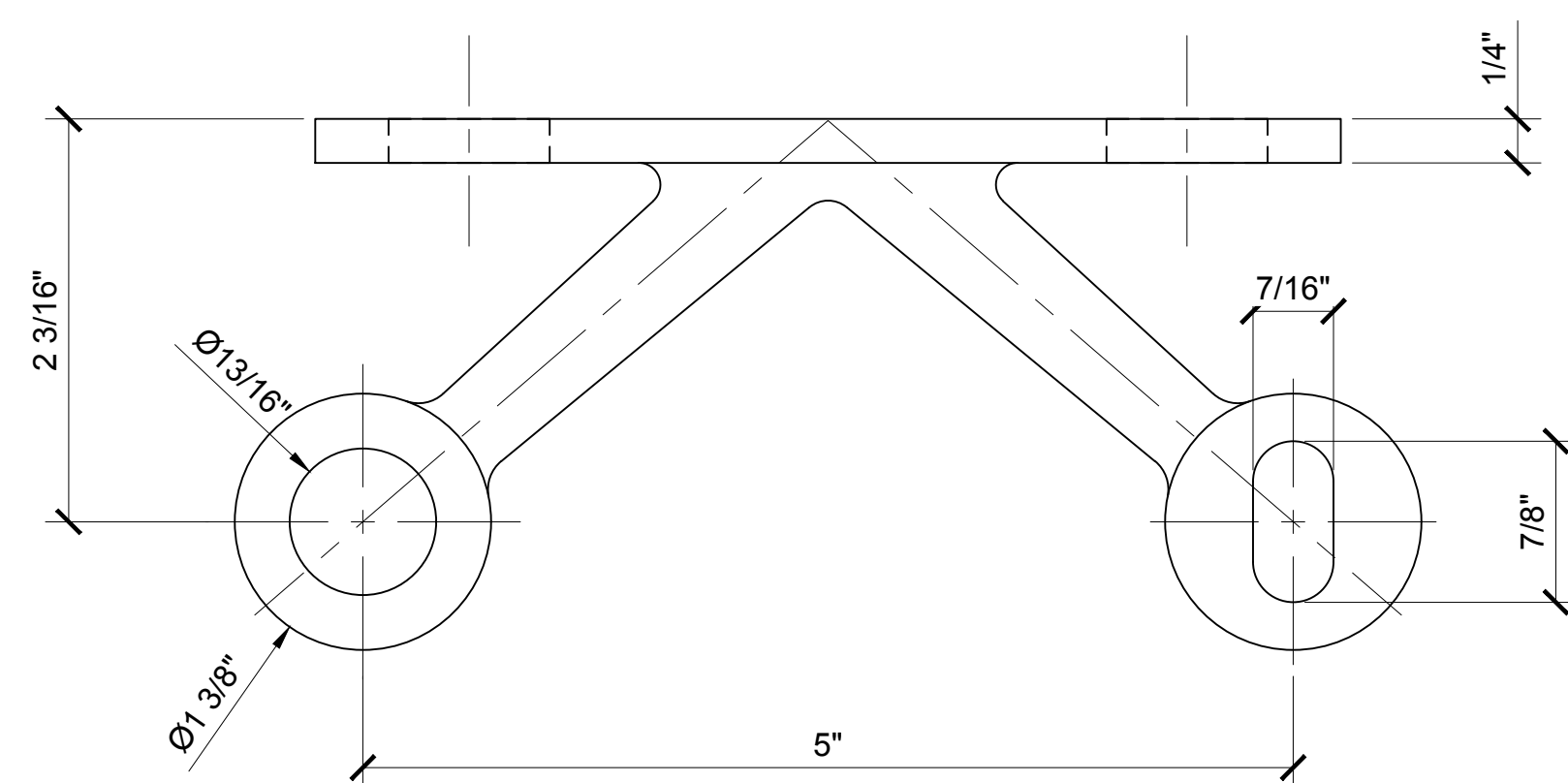
Revisions By:

CRL
US ALUMINUM
 C.R. LAURENCE CO. ARCHITECTURAL PRODUCTS
 2503 E. Vernon Avenue, Los Angeles, CA 90058-1897
 PH: (800)-421-6144 FX: 800-587-7301 www.crlaurence.com

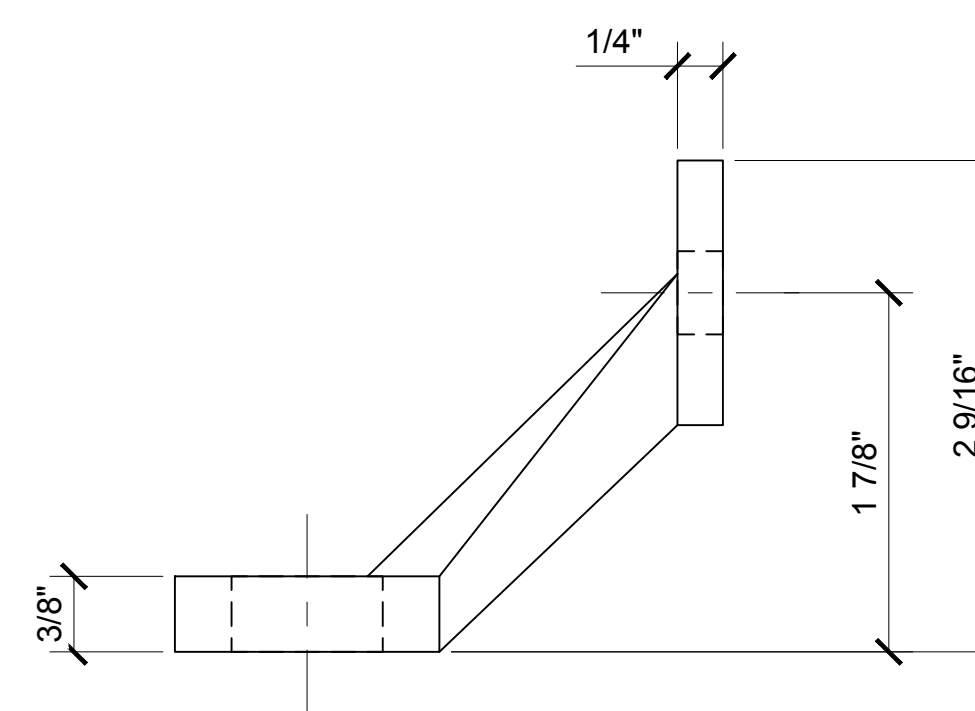
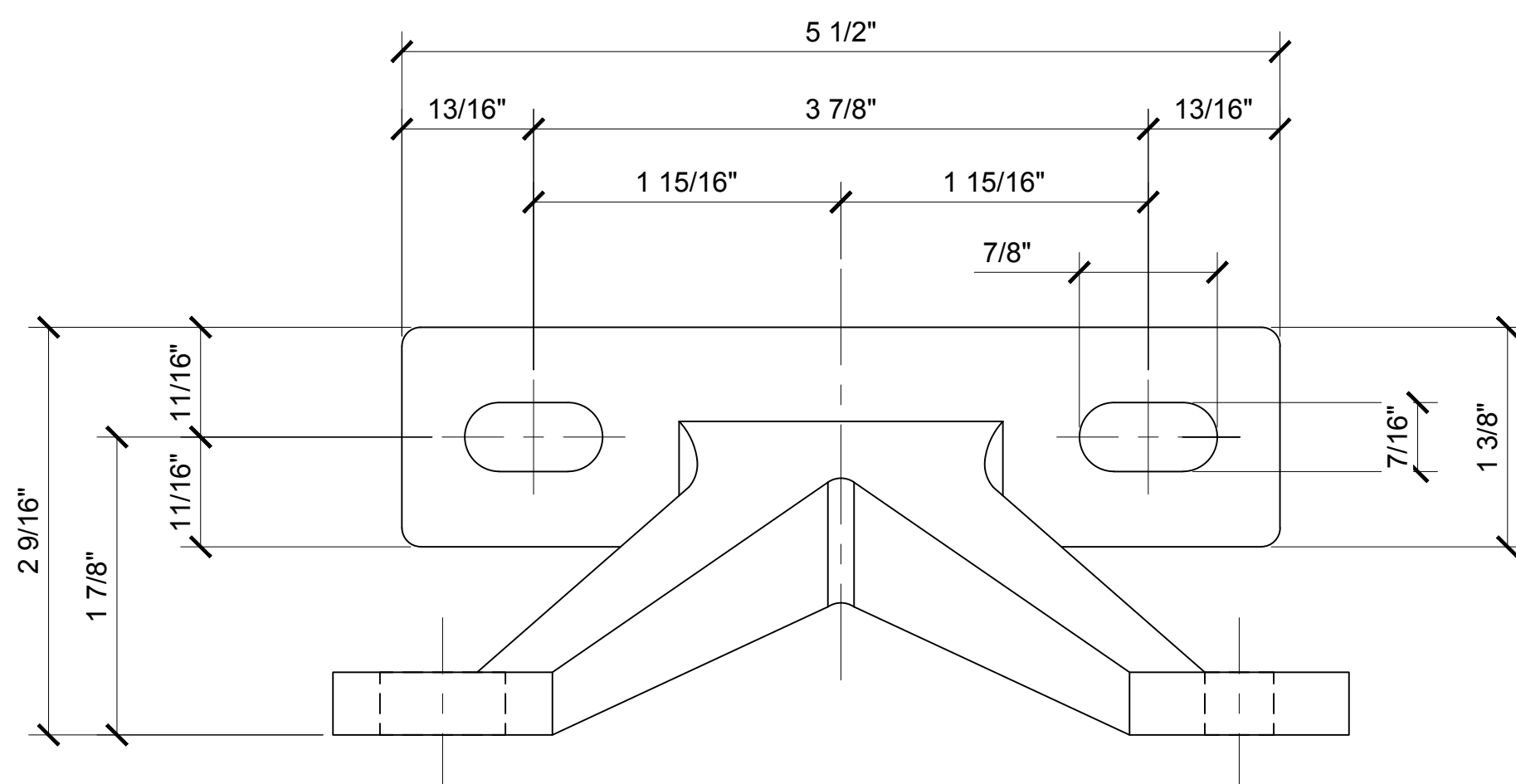
Description:
CRL SPIDER FITTINGS

Drawn By: JRM
Date: 4/4/17
Scale: FULL
File Name: Spider Fittings.dwg

Sheet



AVAILABLE FINISHES
 GRF2VBS = BRUSHED STAINLESS STEEL
 GRF2VPS = POLISHED STAINLESS STEEL

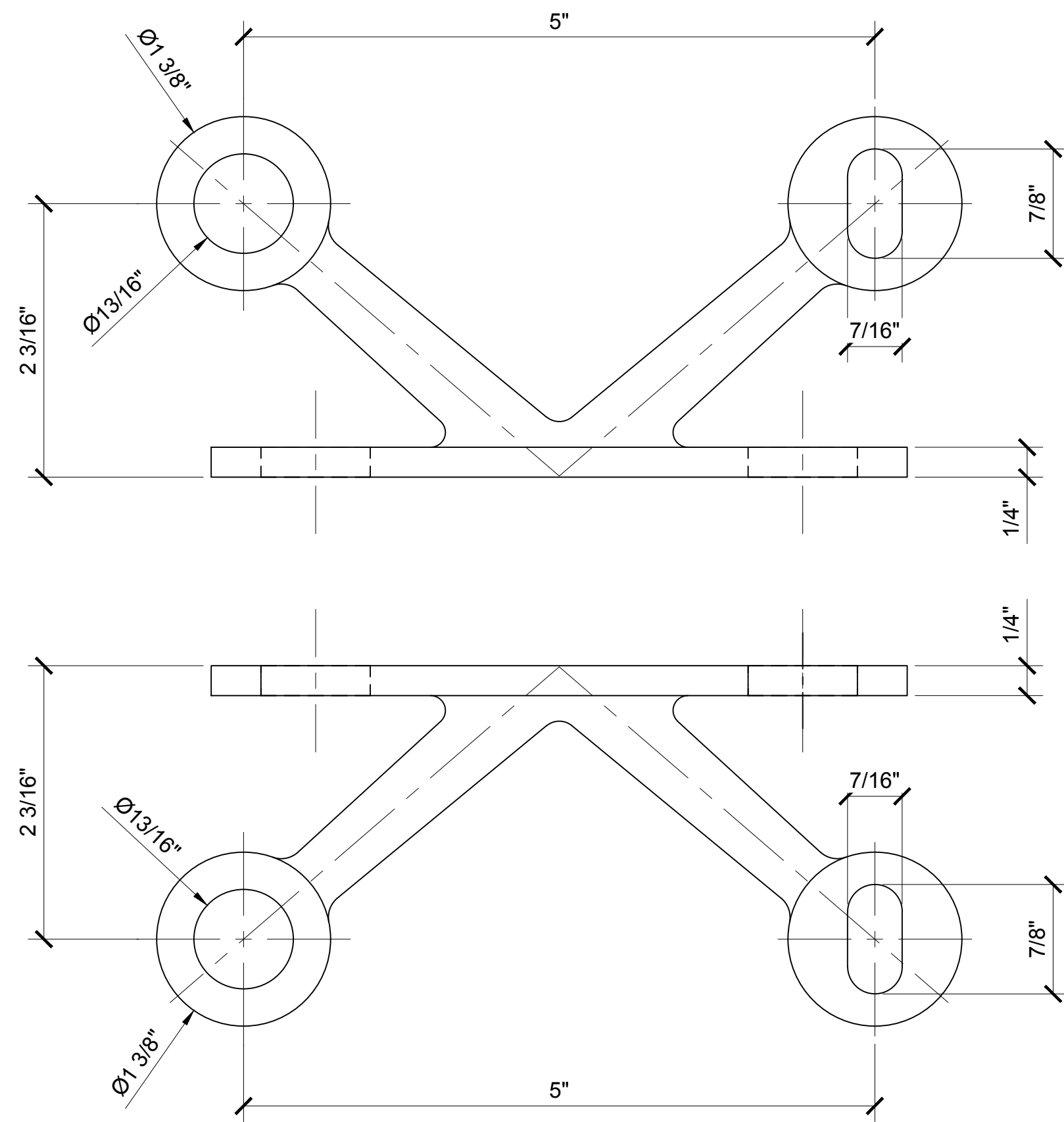


DOUBLE ARM "V" WALL/FIN MOUNTED FITTING GRF2V ①

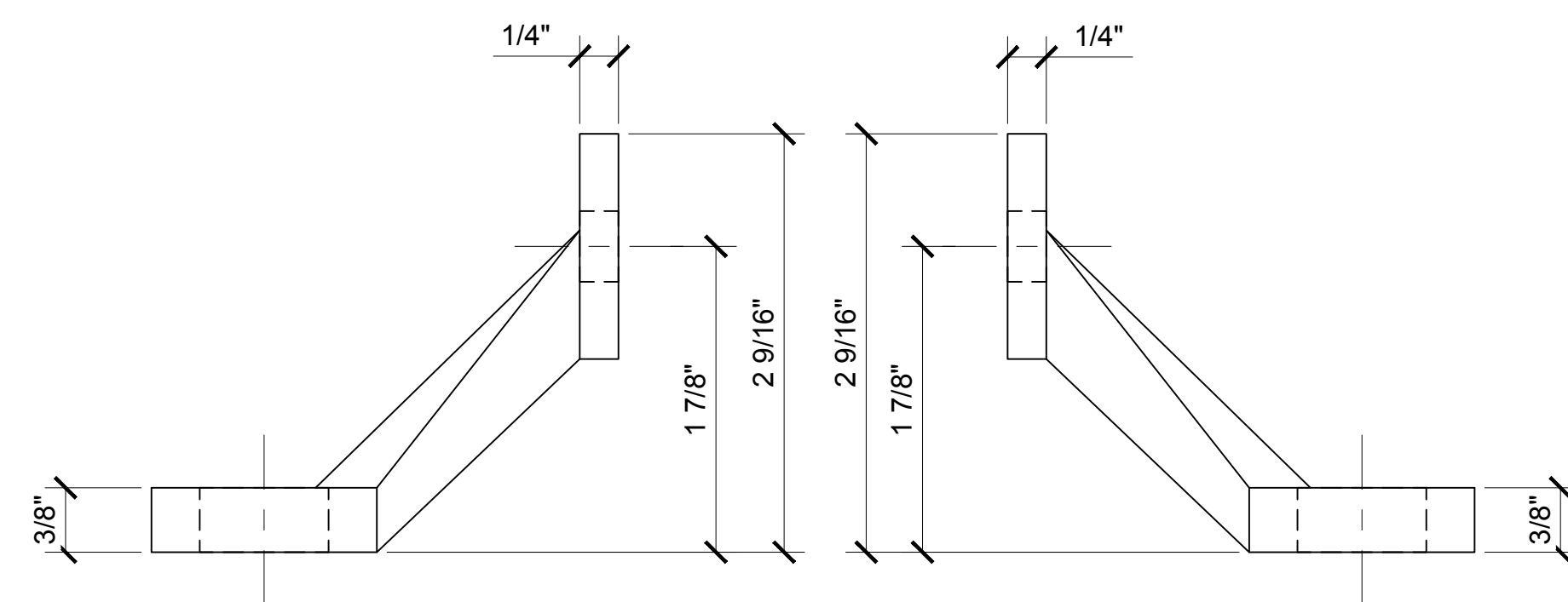
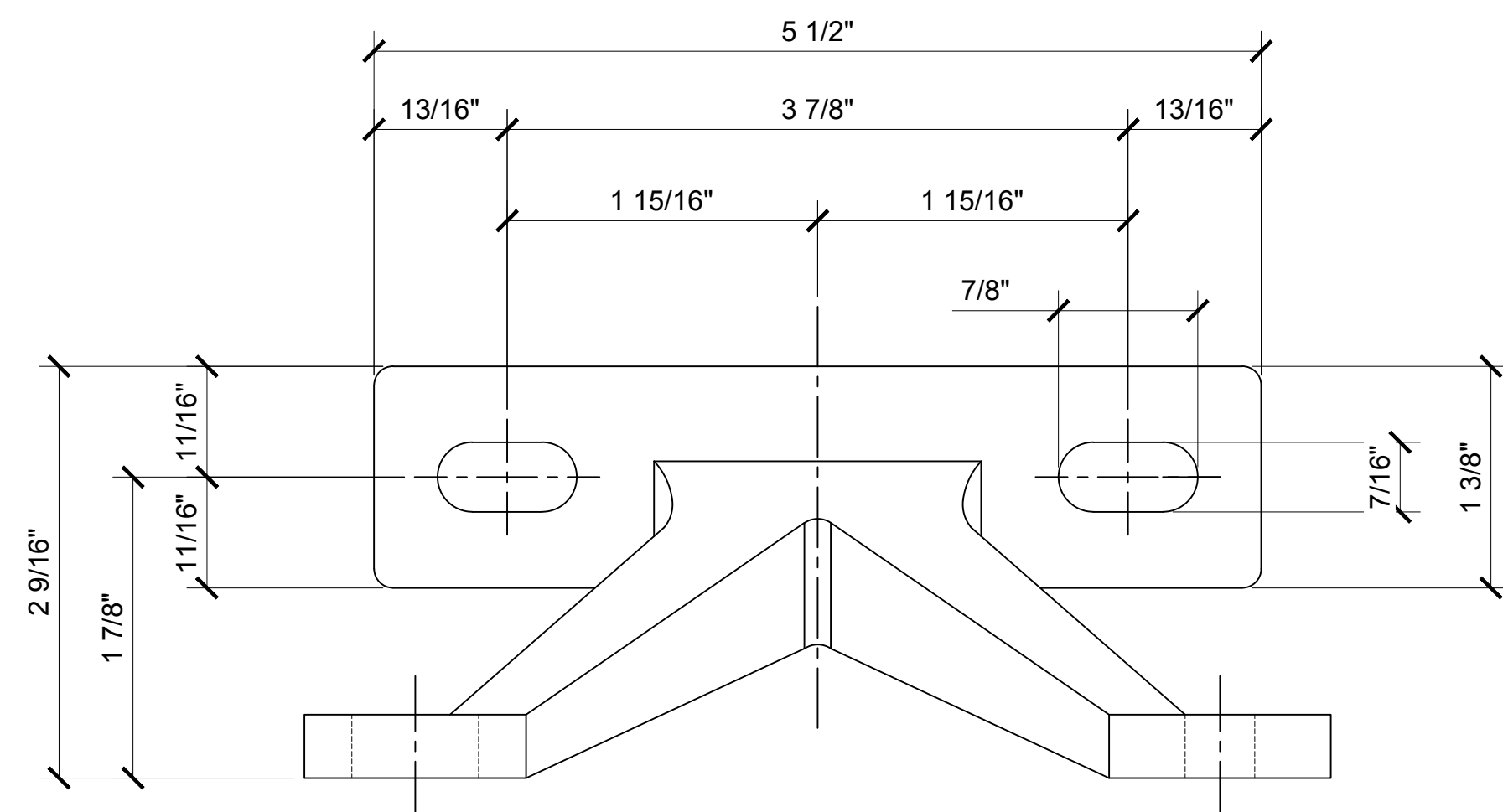
Description:
 CRL SPIDER FITTINGS

Drawn By: JRM
 Date: 4/4/17
 Scale: FULL
 File Name: Spider Fittings.dwg

Sheet



AVAILABLE FINISHES
 GRF4BS = BRUSHED STAINLESS STEEL
 GRF4PS = POLISHED STAINLESS STEEL



FOUR ARM "V" WALL/FIN MOUNTED FITTING GRF4

1

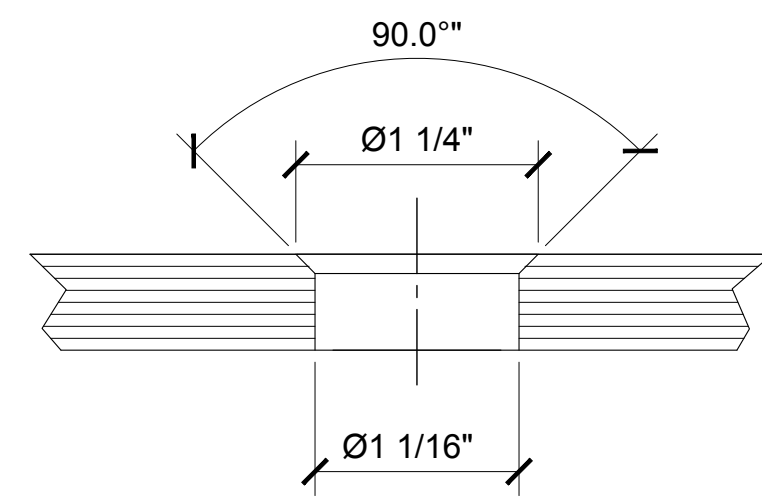
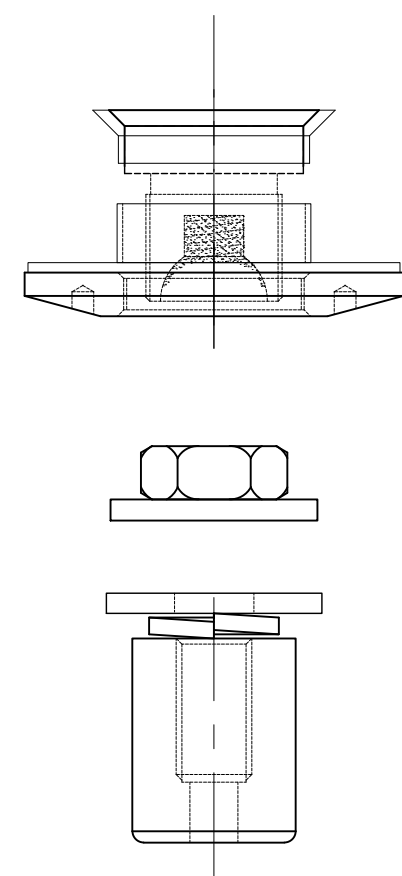
Revisions By:



Description:
 CRL SPIDER FITTINGS

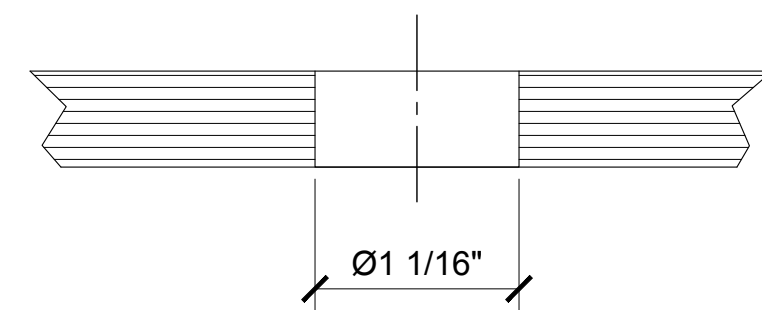
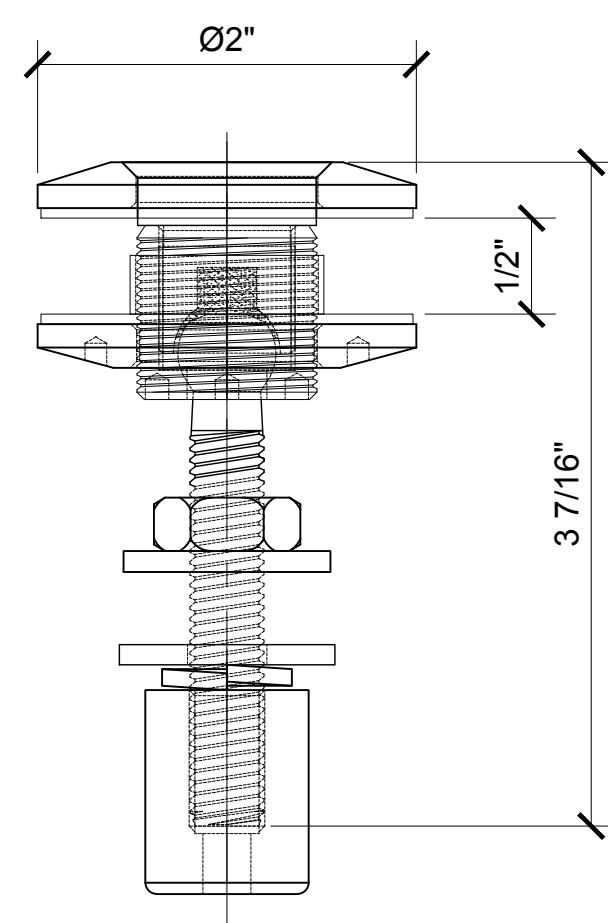
Drawn By: JRM
 Date: 4/4/17
 Scale: FULL
 File Name: Spider Fittings.dwg

Sheet



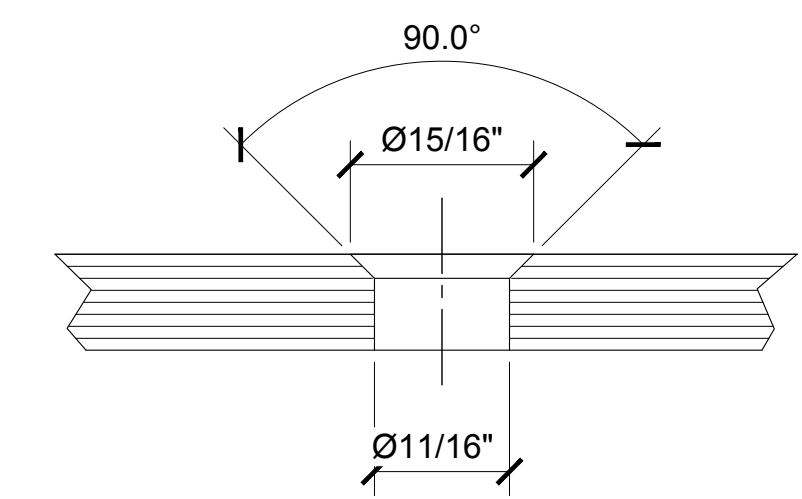
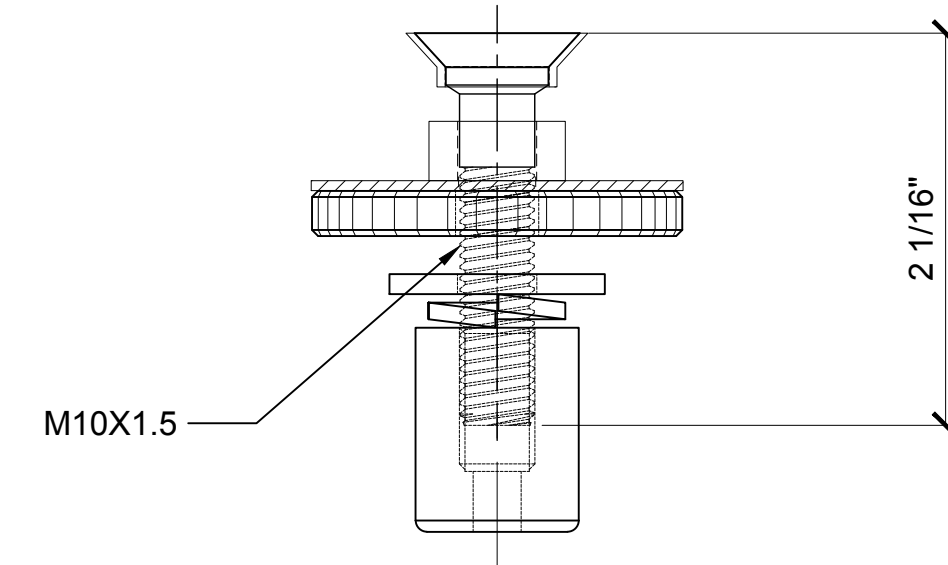
FLUSH MOUNT GLASS FABRICATION

AVAILABLE FINISHES
 RSF10BS = BRUSHED STAINLESS STEEL
 RSF10PS = POLISHED STAINLESS STEEL



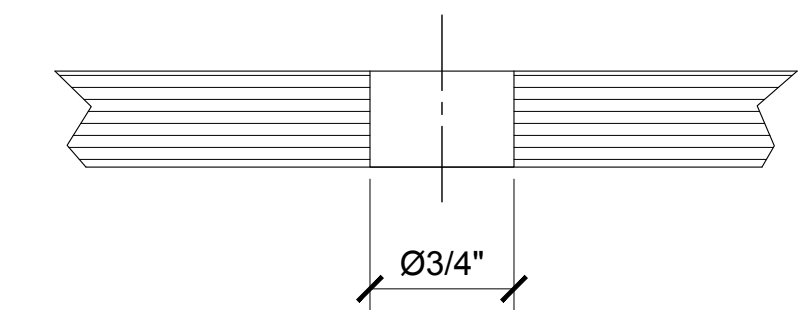
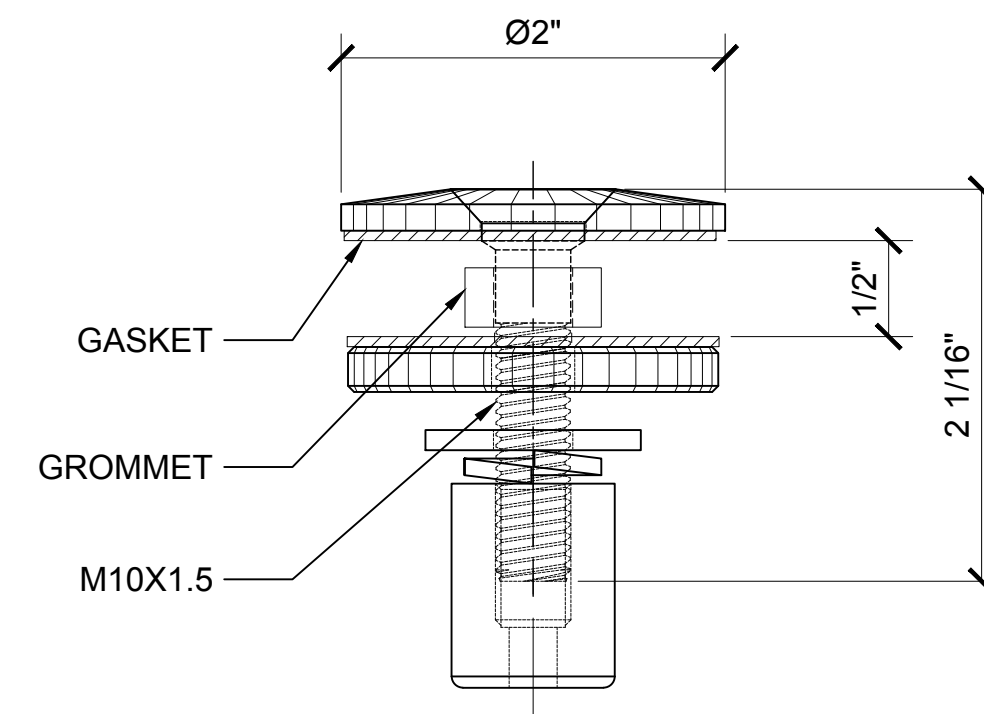
CAP MOUNT GLASS FABRICATION

SWIVEL HEAD COMBINATION GLASS ATTACHMENT RSF10 ①



FLUSH MOUNT GLASS FABRICATION

AVAILABLE FINISHES
 RRF10BS = BRUSHED STAINLESS STEEL
 RRF10PS = POLISHED STAINLESS STEEL



CAP MOUNT GLASS FABRICATION

RIGID HEAD COMBINATION GLASS ATTACHMENT RRF10 ②

Revisions By:



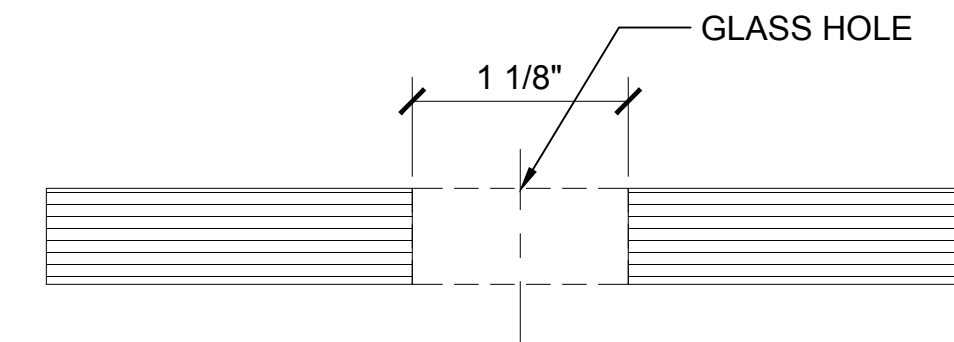
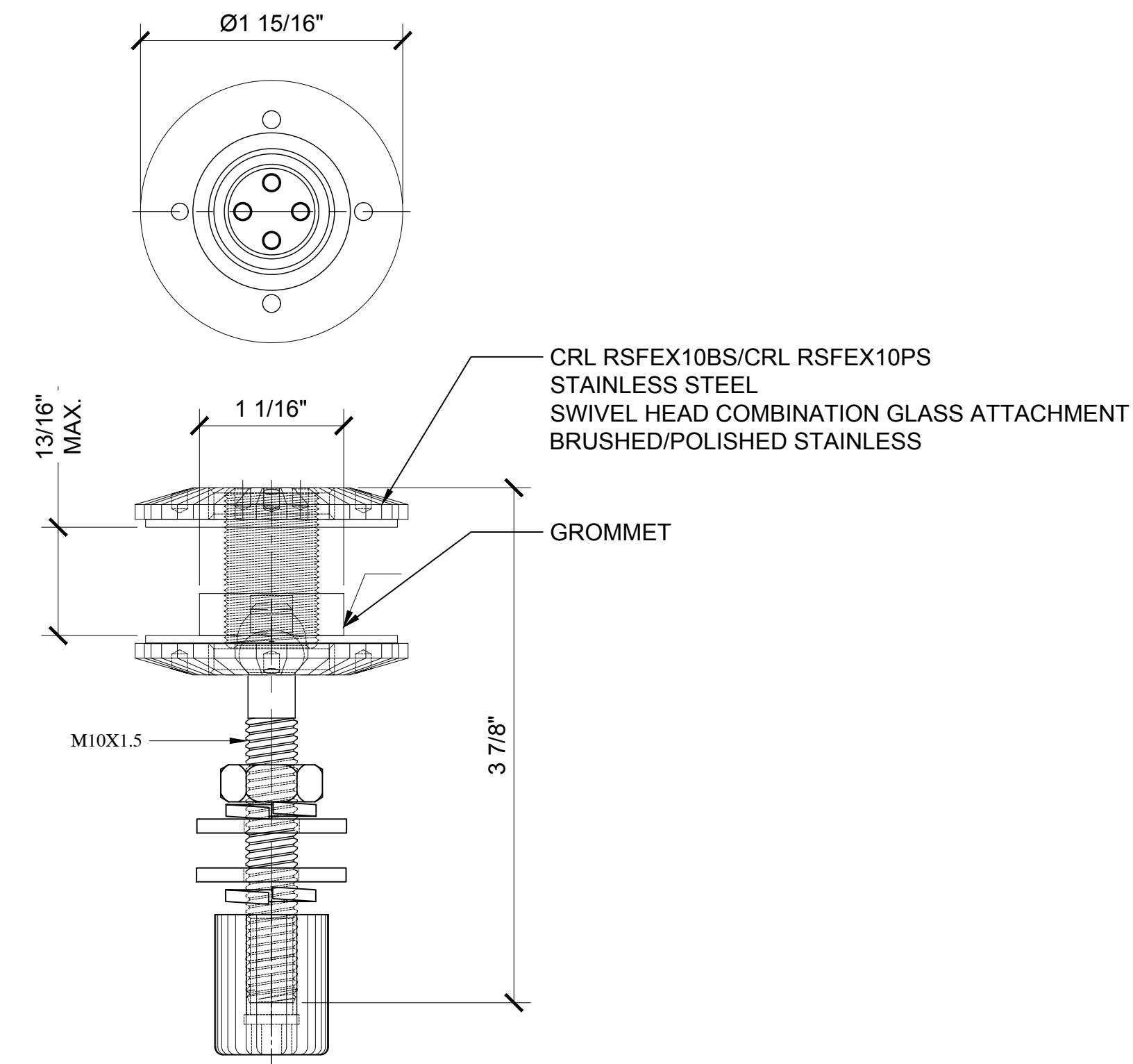
Description:
 CRL SPIDER FITTINGS

Drawn By: JRM
 Date: 4/4/17
 Scale: FULL
 File Name: Spider Fittings.dwg

Sheet

Revisions By:

CRL
US ALUMINUM
C.R. LAURENCE CO. ARCHITECTURAL PRODUCTS
2503 E. Vernon Avenue, Los Angeles, CA 90058-1897
PH: (800)-421-6144 FX: 800-587-7301 www.crlaurence.com



GLASS FABRICATION

SWIVEL HEAD COMBINATION GLASS ATTACHMENT RSFEX10 ①

Description:

CRL SPIDER FITTINGS

Drawn By: JRM

Date: 4/4/17

Scale: FULL

File Name: Spider Fittings.dwg

Sheet