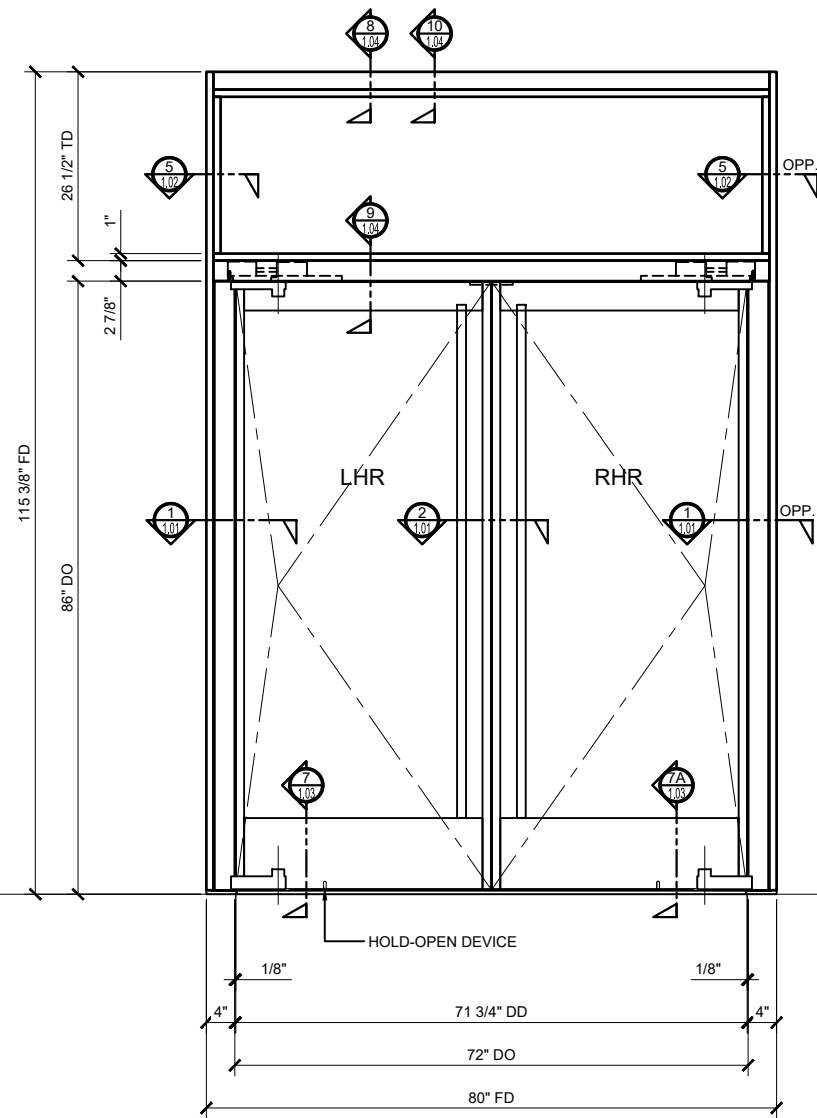
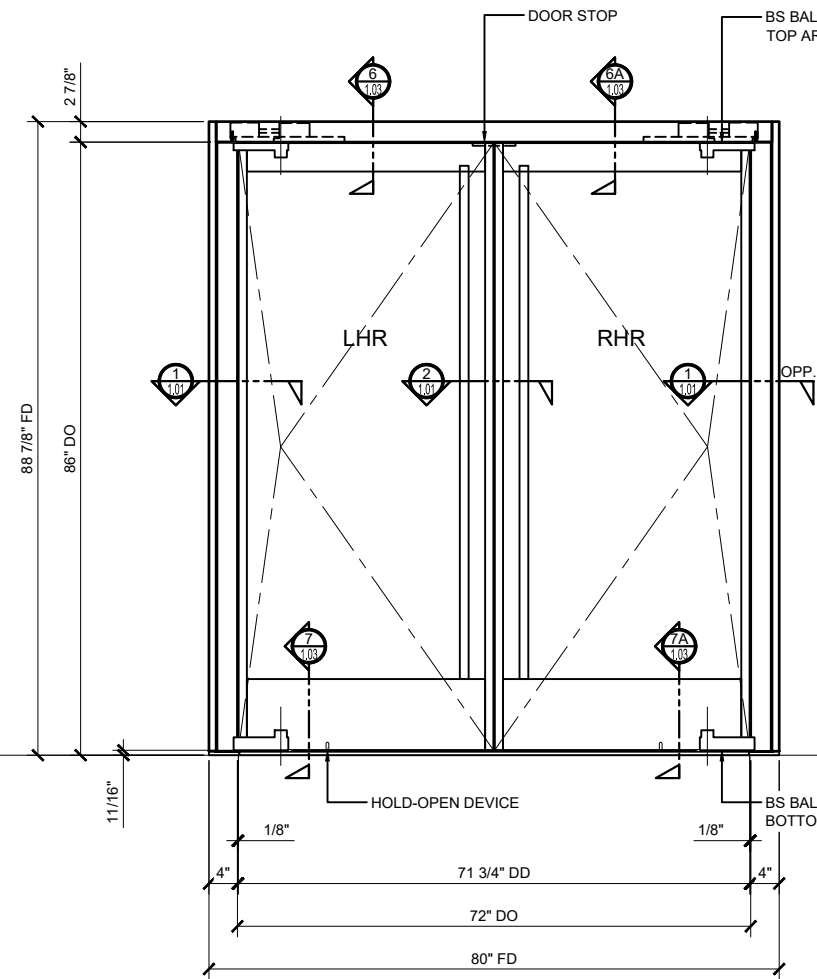


**CRL BALANCER SERIES BALANCED DOOR**  
**ALUMINUM ALL GLASS WITH MINI STILE EXPOSED SHAFT**

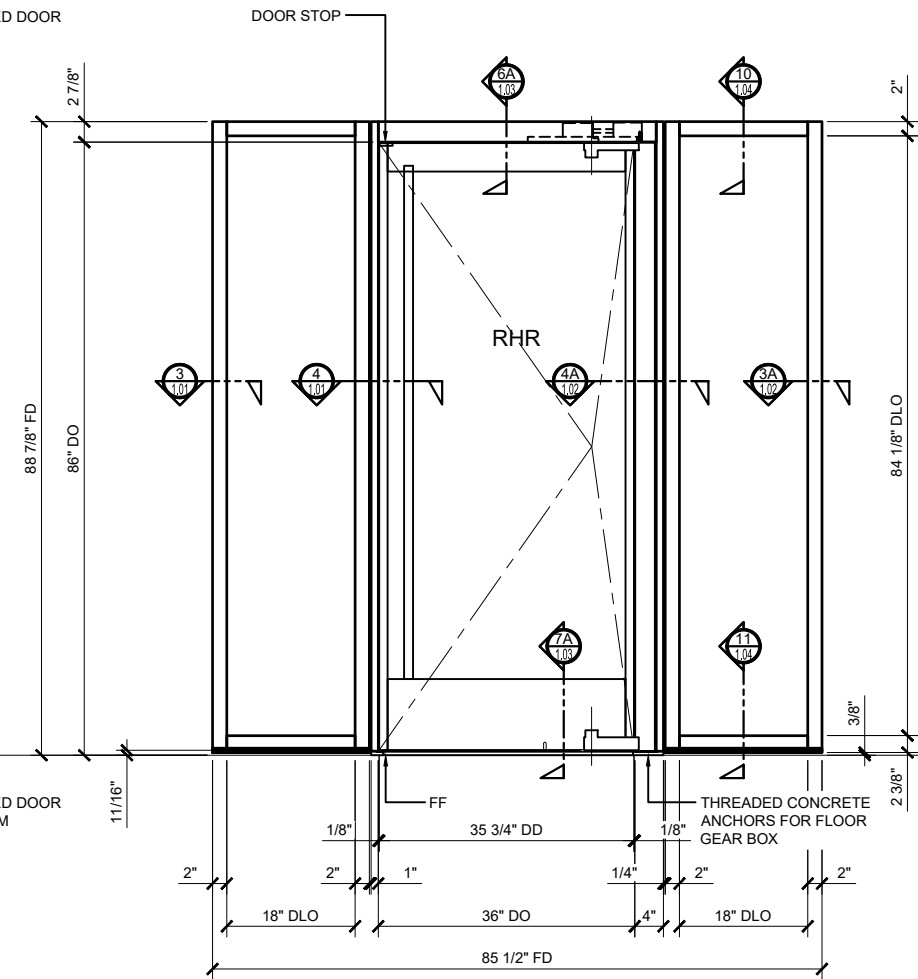
**STRUCTURAL DISCLAIMER:**  
 ALL CUSTOMERS WHO IN ANY WAY UTILIZE THIS PRODUCT ARE SOLELY RESPONSIBLE TO CONSULT A STRUCTURAL ENGINEER TO DETERMINE THE SUITABILITY OF THE PRODUCT FOR THE INTENDED USE AND SITE CONDITIONS. ALL INSTALLERS MUST BE QUALIFIED AND HAVE PROFESSIONAL KNOWLEDGE ABOUT COMPLIANCE WITH LOCAL, STATE AND FEDERAL REGULATIONS, SAFETY FACTORS, AND THE APPROPRIATE CHOICE OF FIXING MATERIAL AND PROCEDURES.



**CRL BALANCER SERIES BALANCED DOOR**  
**ALUMINUM ALL GLASS WITH MINI STILE & EXPOSED SHAFT**  
**PAIR DOORS WITH TRANSOM ELEVATION**

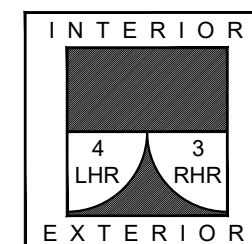


**CRL BALANCER SERIES BALANCED DOOR**  
**ALUMINUM ALL GLASS WITH MINI STILE & EXPOSED SHAFT**  
**PAIR DOORS ELEVATION**



**CRL BALANCER SERIES BALANCED DOOR**  
**ALUMINUM ALL GLASS WITH MINI STILE & EXPOSED SHAFT**  
**SINGLE DOOR WITH SIDELITE ELEVATION**

**DOOR SWING CHART**



STANDARD ABBREVIATIONS	
RO	ROUGH OPENING
FD	FRAME DIMENSION
DLO	DAYLIGHT OPENING
DO	DOOR OPENING
DD	DOOR DIMENSION
TD	TRANSOM DIMENSION
FF	FLOOR FIDDING

Revisions By:

**CRL.**

2631 E. Warner Avenue, Los Angeles, CA 90058-1897  
 PH: (800)-421-9144 FX: 800-597-7501 www.crlusa.com

Description:  
**CRL PREMIUM SERIES**  
**BALANCED DOOR**  
**ALUMINUM ALL GLASS**  
**WITH MINI STILE**

Drawn By: TGM  
 Date: 11/15/18  
 Scale: AS NOTED  
 File Name: PS BD - ALUM ALL GLASS W/MINI STILE.dwg  
 Sheet

Revisions By:

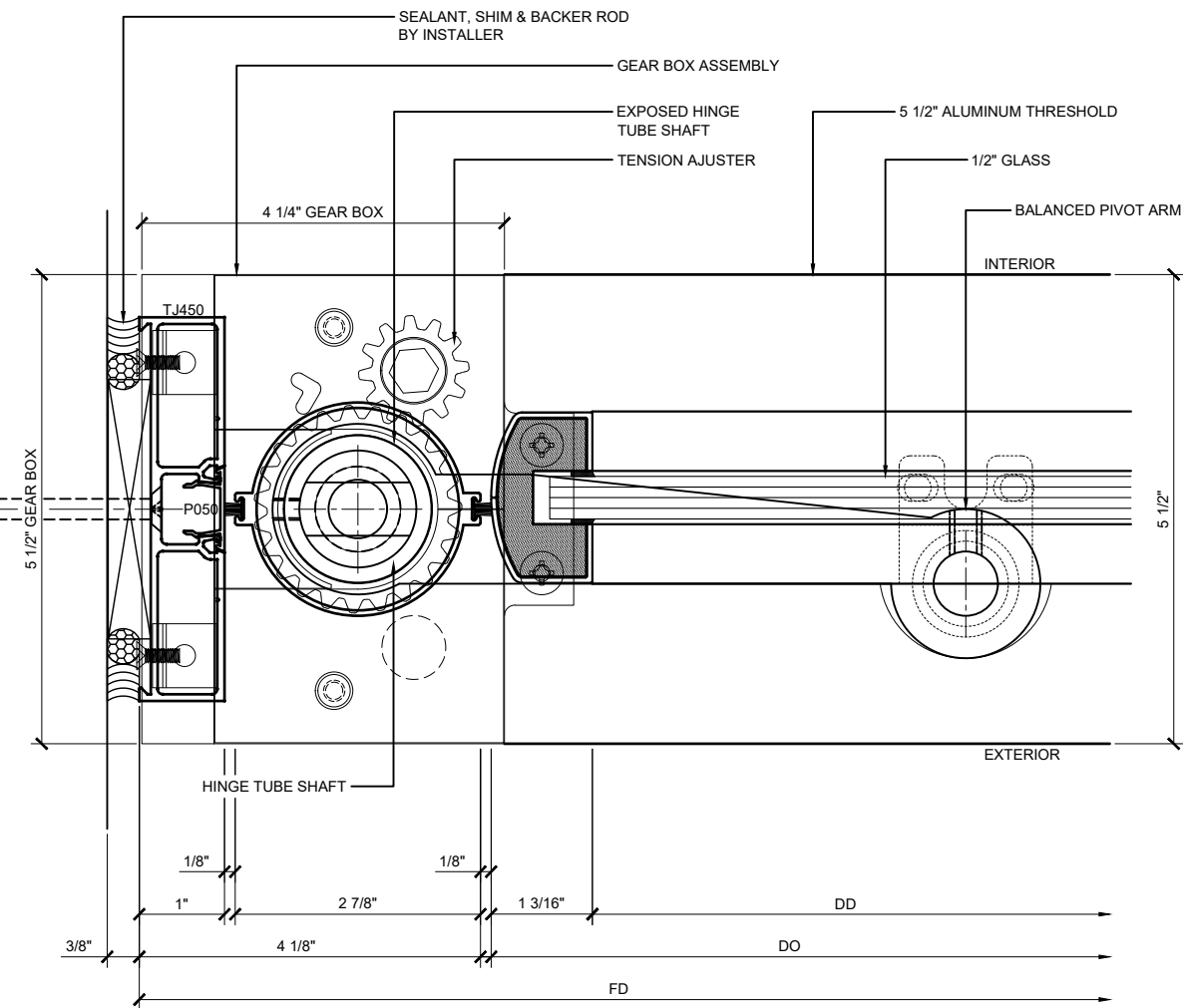
# CRL

2632 E. Warner Avenue, Los Angeles, CA 90058-1897  
PH: (800)-421-9144 FX: 800-597-7501 www.crlusa.com

Description:  
CRL PREMIUM SERIES  
BALANCED DOOR  
ALUMINUM ALL GLASS  
WITH MINI STILE

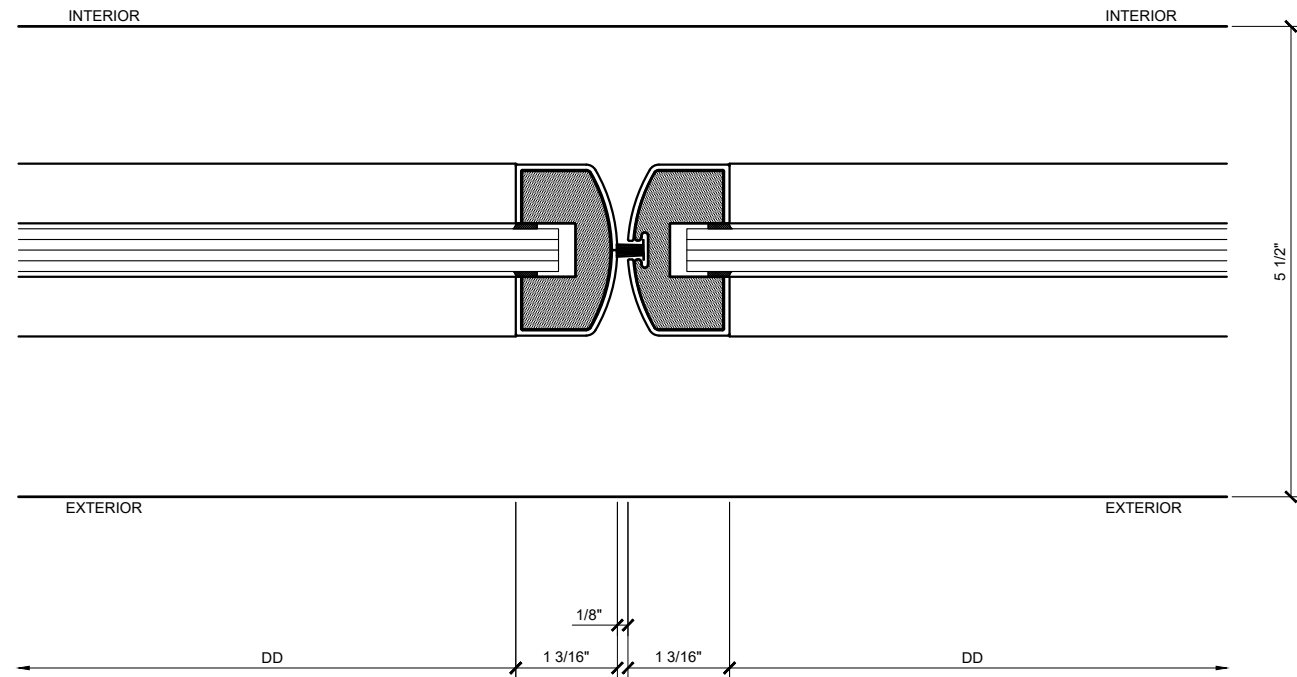
Drawn By: TGM  
Date: 11/15/18  
Scale: AS NOTED  
File Name:  
PS BD - ALUM ALL GLASS W/MINI STILE.dwg  
Sheet

1.01



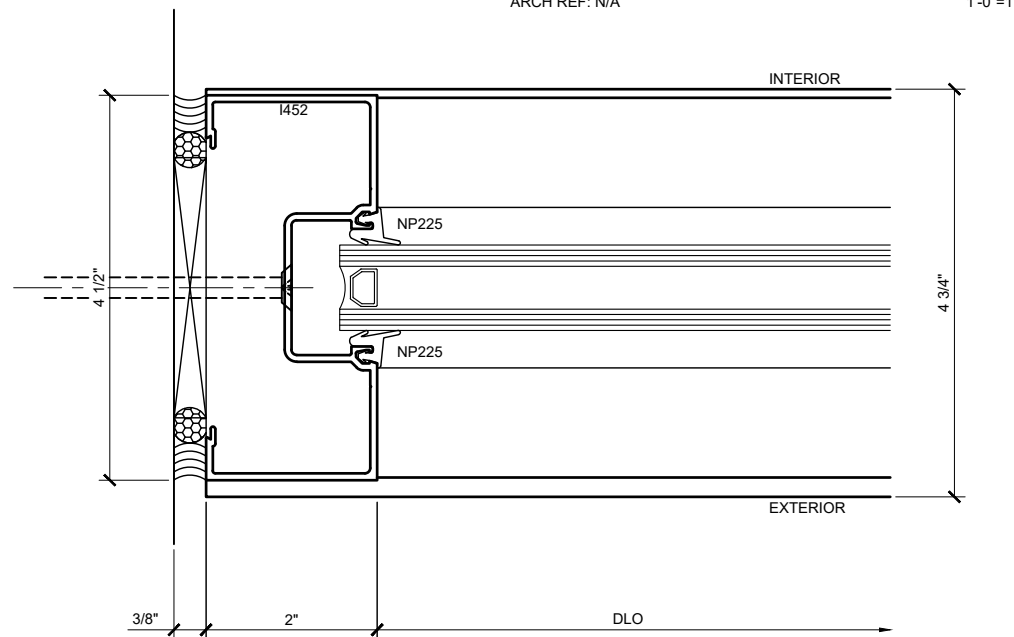
① DOOR PIVOT JAMB DETAIL

ARCH REF: N/A 1'-0"=1'-0"



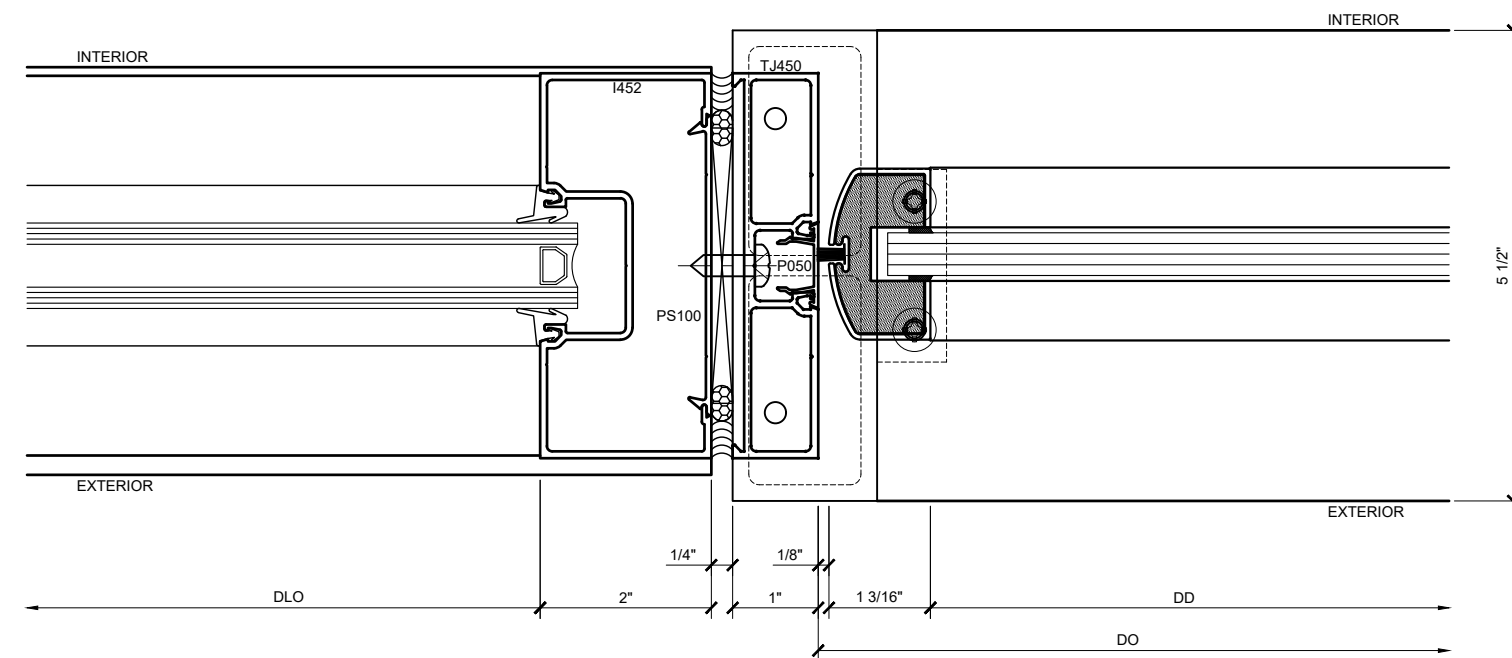
② MEETING STILES DETAIL

ARCH REF: N/A 1'-0"=1'-0"



③ JAMB DETAIL AT SIDELITE

ARCH REF: N/A 1'-0"=1'-0"



④ DOOR STRIKE JAMB AT SIDELITE DETAIL

ARCH REF: N/A 1'-0"=1'-0"

## BALANCER SERIES ALUMINUM ALL GLASS W/ MINI STILE BALANCED DOORS DETAILS / 4-1/2" JAMB / EXPOSED SHAFT

Revisions By:

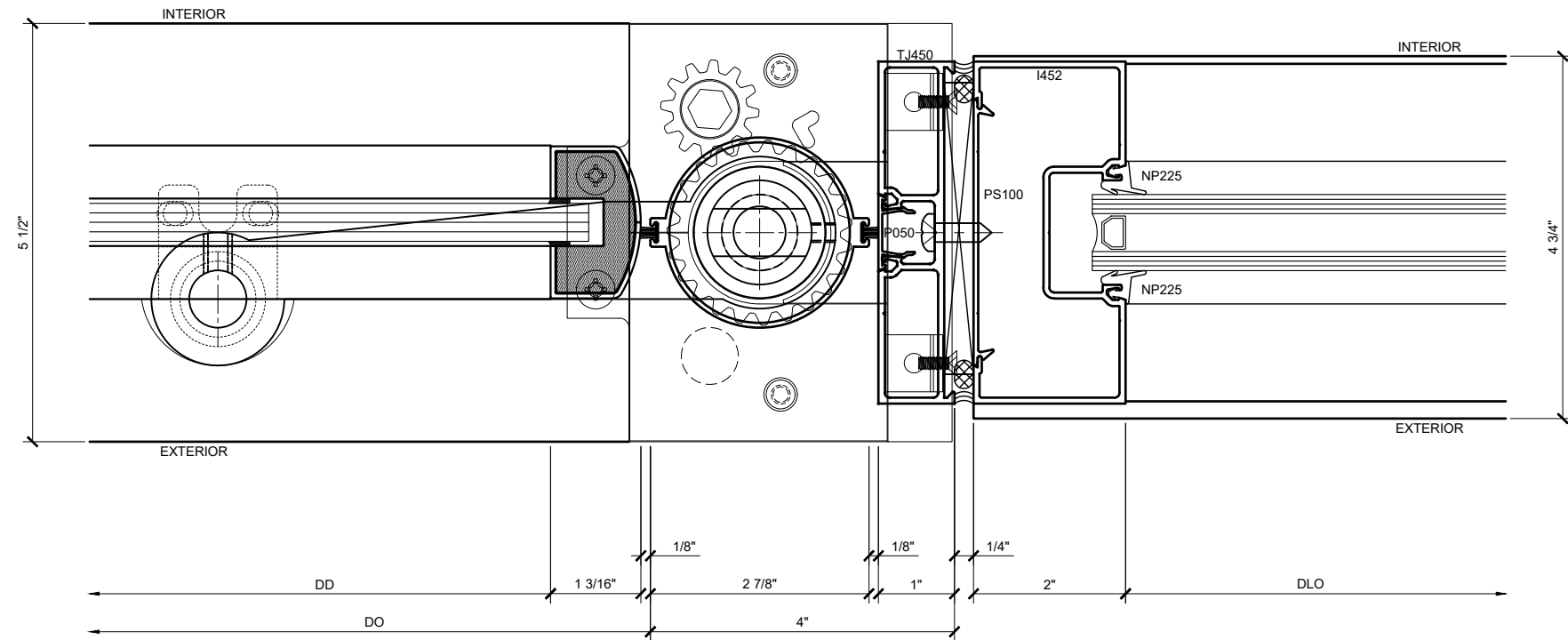
# CRL

2693 E. Warner Avenue, Los Angeles, CA 90058-1897  
PH: (800)-421-9144 FX: 800-597-7501 www.crlusa.com

Description:  
CRL PREMIUM SERIES  
BALANCED DOOR  
ALUMINUM ALL GLASS  
WITH MINI STILE

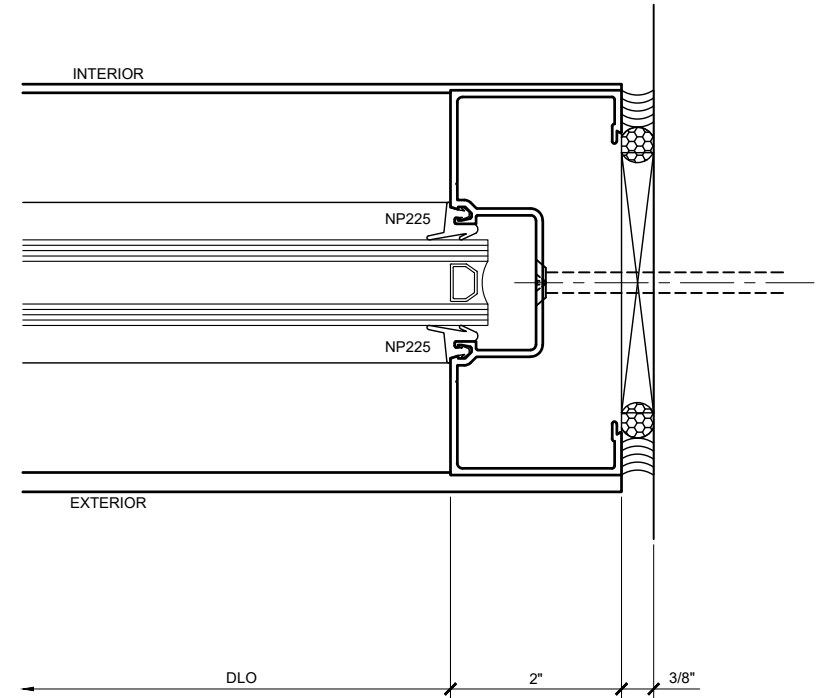
Drawn By: TGM  
Date: 11/15/18  
Scale: AS NOTED  
File Name:  
PS BD - ALUM ALL GLASS W/MINI STILE.dwg  
Sheet

1.02



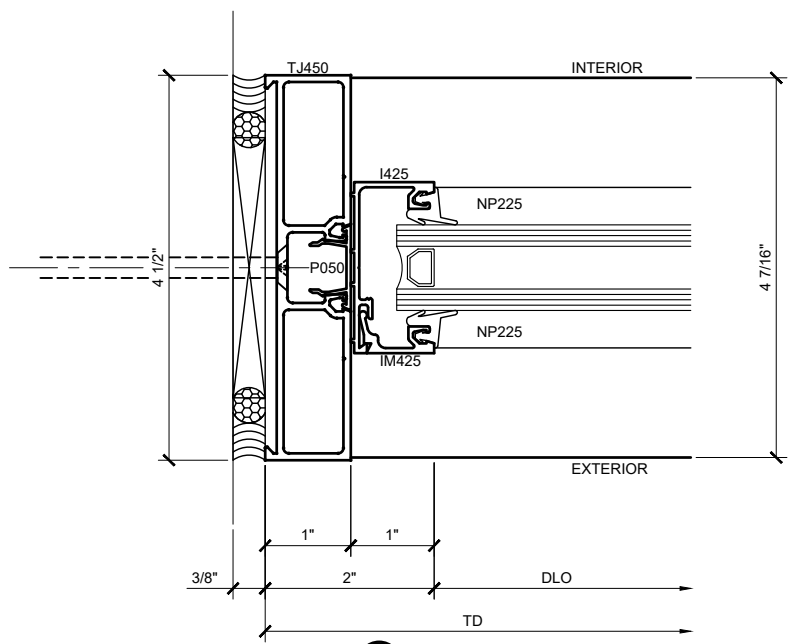
**4A** DOOR PIVOT JAMB SIDELITE DETAIL

ARCH REF: N/A 1'-0"=1'-0"



**3A** JAMB DETAIL

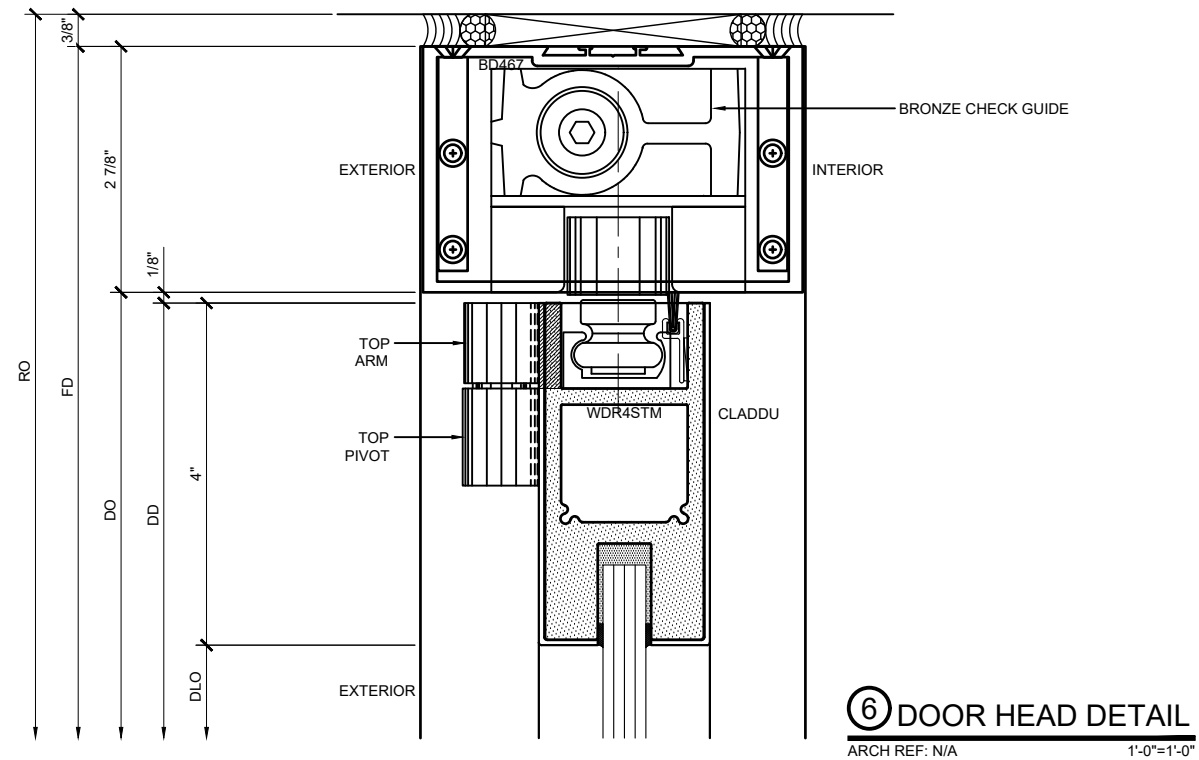
ARCH REF: N/A 1'-0"=1'-0"



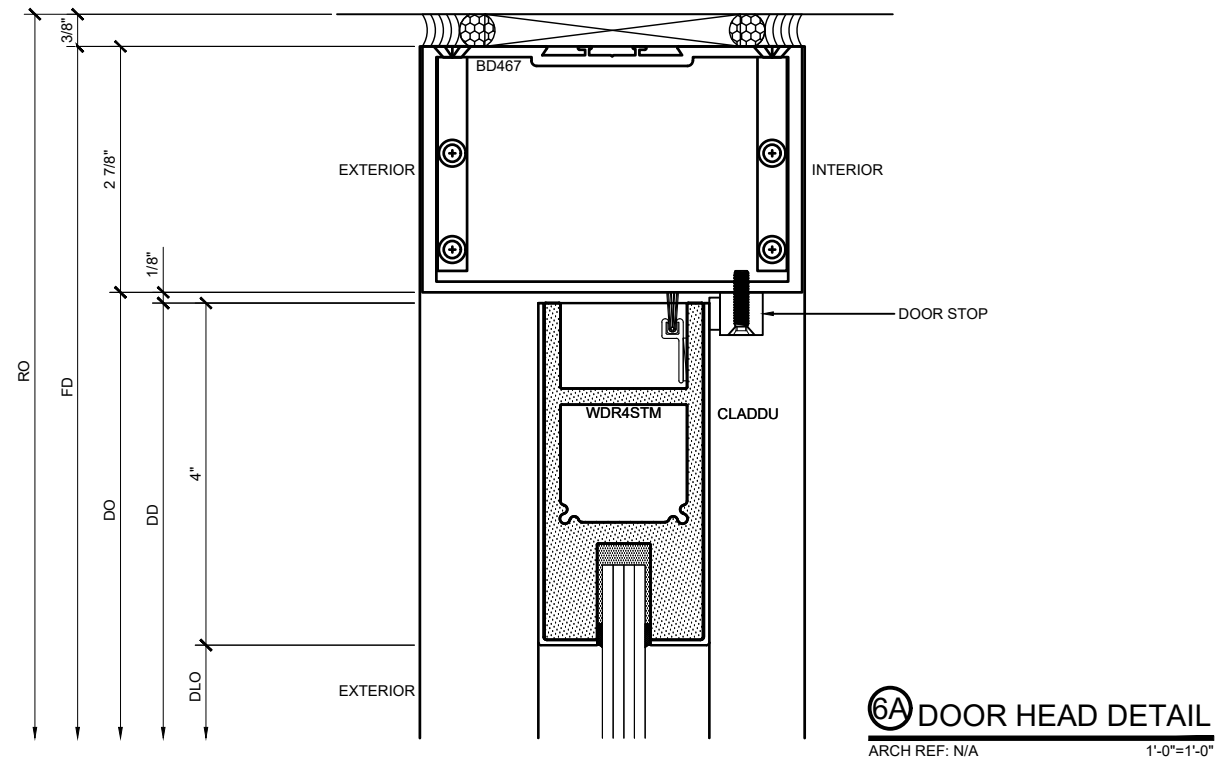
**5** TRANSOM DETAIL

ARCH REF: N/A 1'-0"=1'-0"

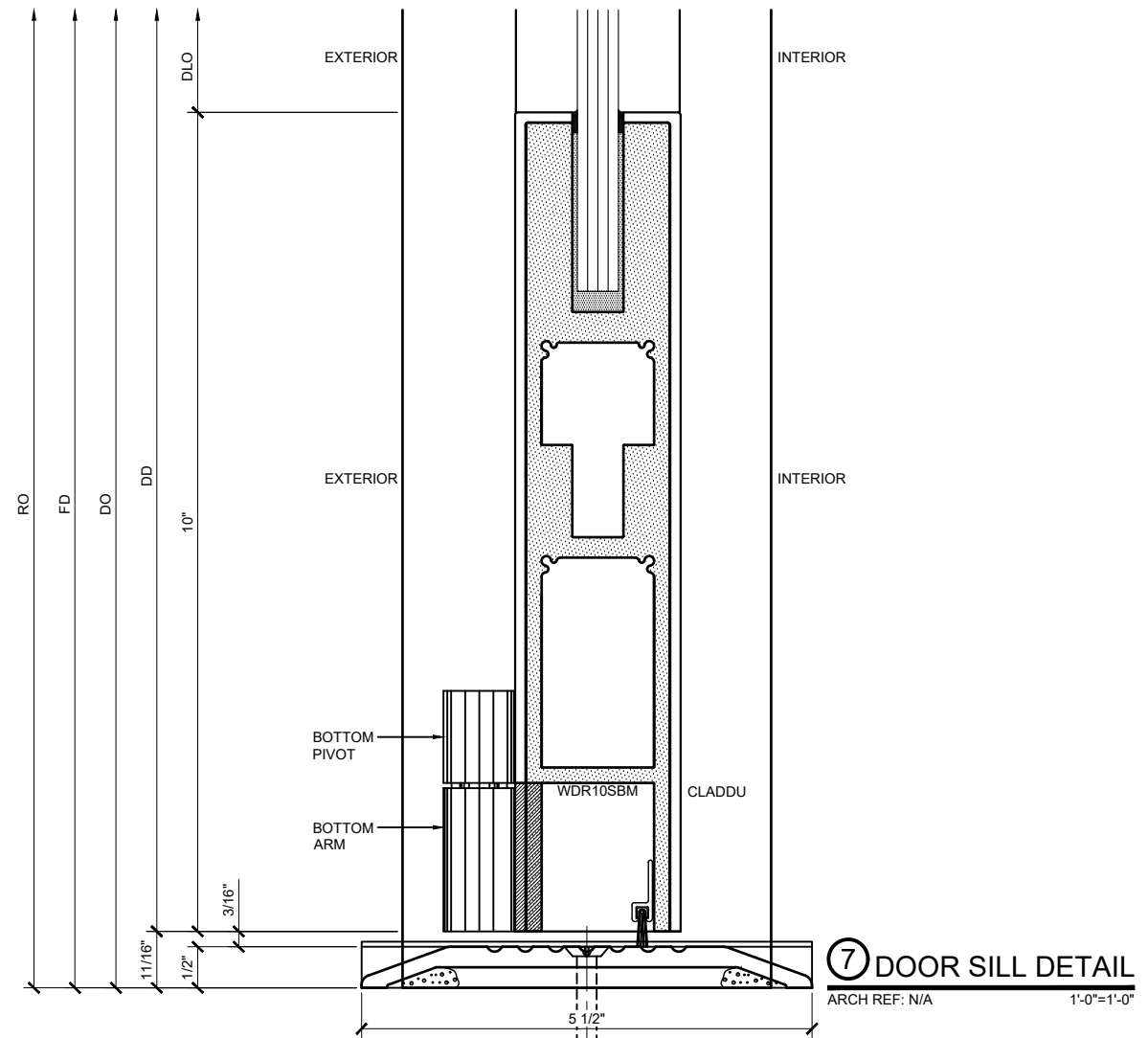
## BALANCER SERIES ALUMINUM ALL GLASS W/ MINI STILE BALANCED DOORS DETAILS / 4-1/2" JAMB / EXPOSED SHAFT



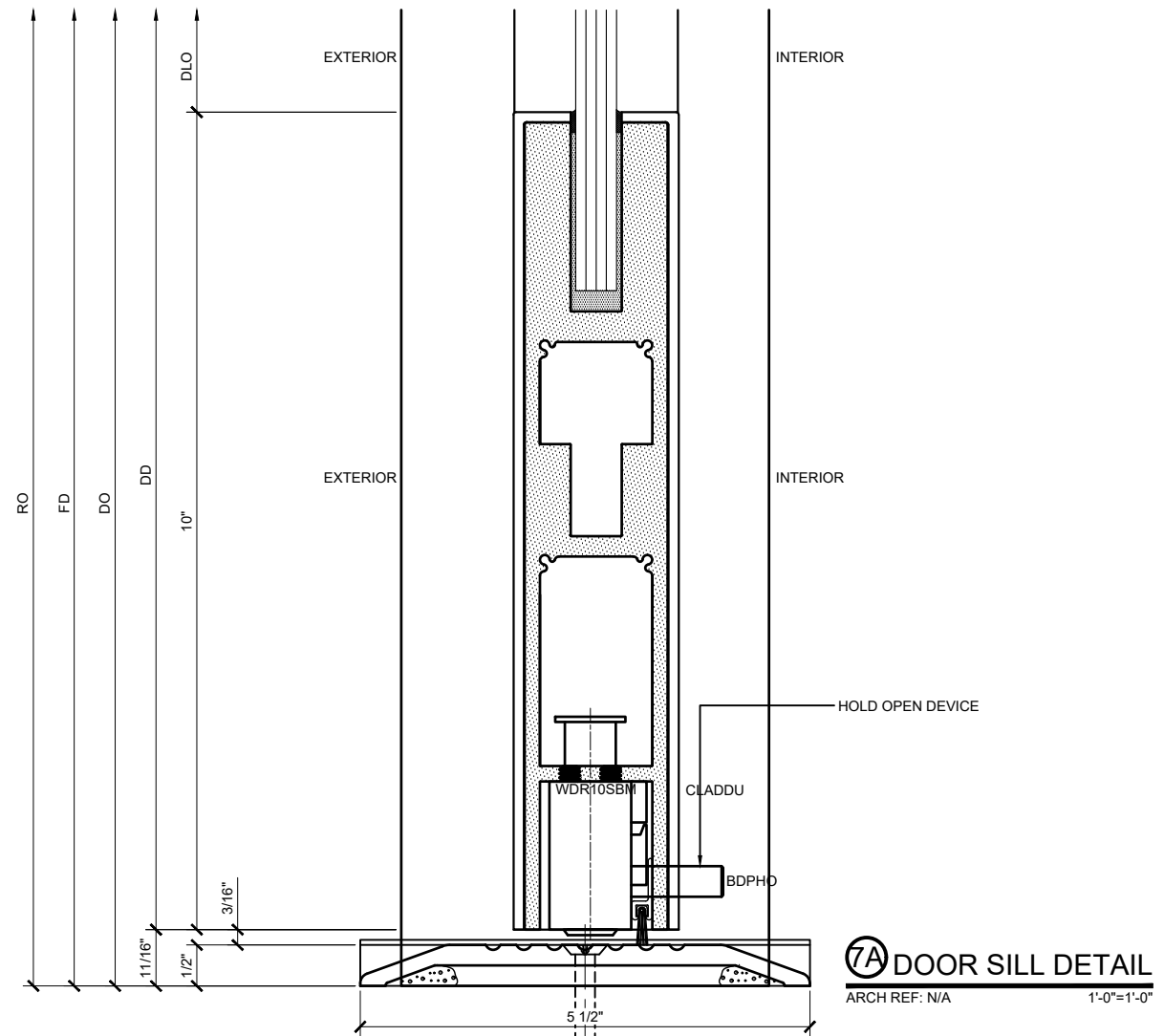
**6 DOOR HEAD DETAIL**  
 ARCH REF: N/A 1'-0"=1'-0"



**6A DOOR HEAD DETAIL**  
 ARCH REF: N/A 1'-0"=1'-0"



**7 DOOR SILL DETAIL**  
 ARCH REF: N/A 1'-0"=1'-0"



**7A DOOR SILL DETAIL**  
 ARCH REF: N/A 1'-0"=1'-0"

**BALANCER SERIES ALUMINUM ALL GLASS W/ MINI STILE BALANCED DOORS DETAILS / 4-1/2" JAMB / EXPOSED SHAFT**

Revisions By:

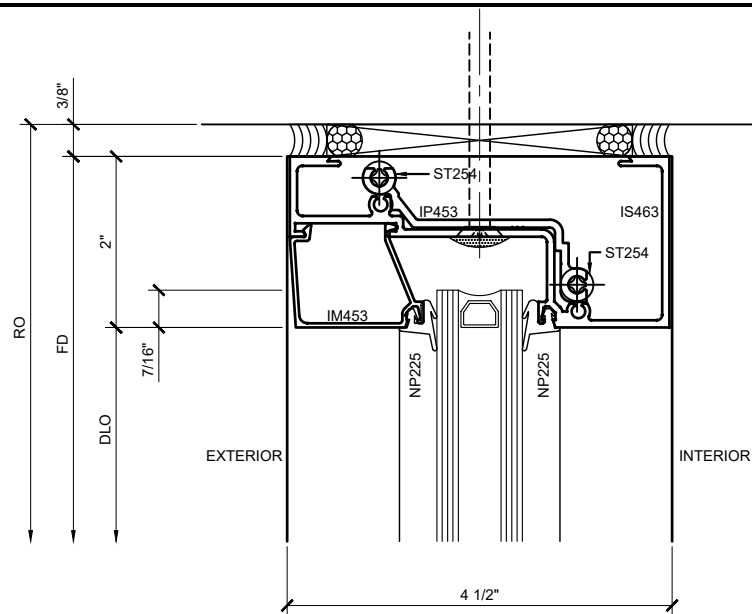
**CRL.**

2693 E. Venice Avenue, Los Angeles, CA 90058-1897  
 PH: (800)-421-6144 FX: 800-597-7501 www.crlusa.com

Description:  
 CRL PREMIUM SERIES  
 BALANCED DOOR  
 ALUMINUM ALL GLASS  
 WITH MINI STILE

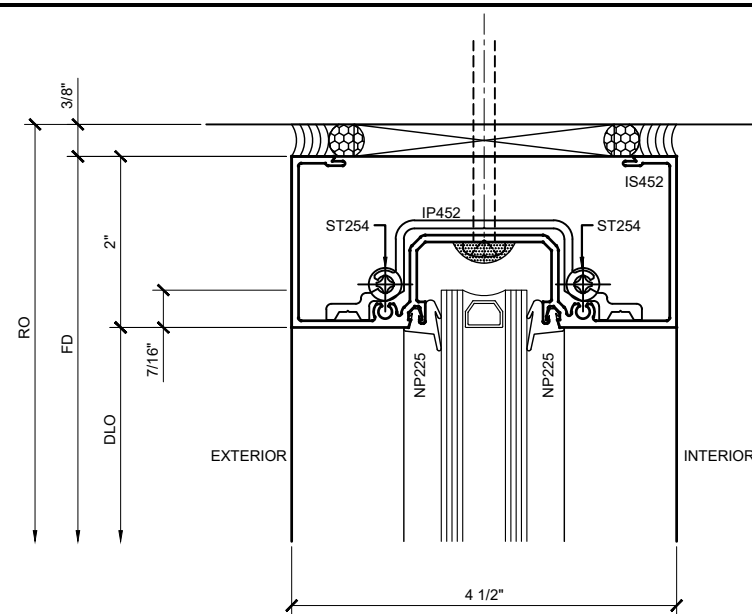
Drawn By: TGM  
 Date: 11/15/18  
 Scale: AS NOTED  
 File Name:  
 PS BD - ALUM ALL GLASS W/MINI STILE.dwg  
 Sheet

1.03



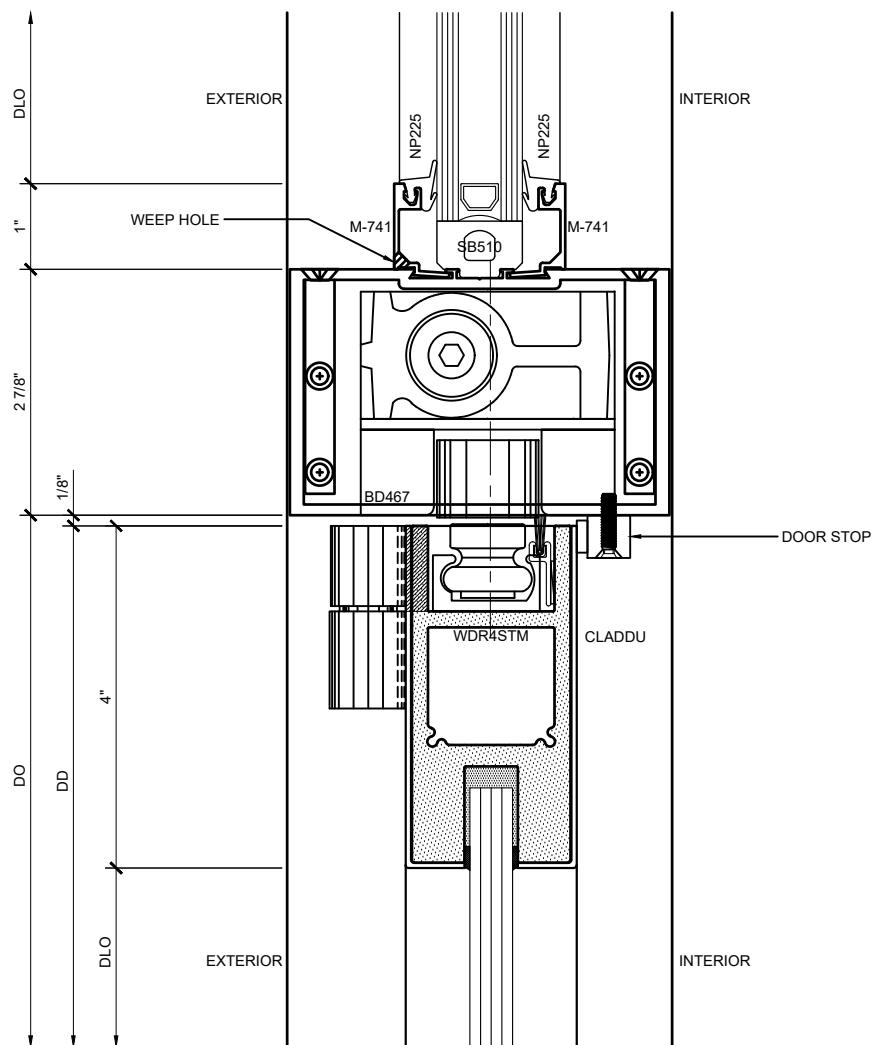
**8** HEAD DETAIL

ARCH REF: N/A 1'-0"=1'-0"



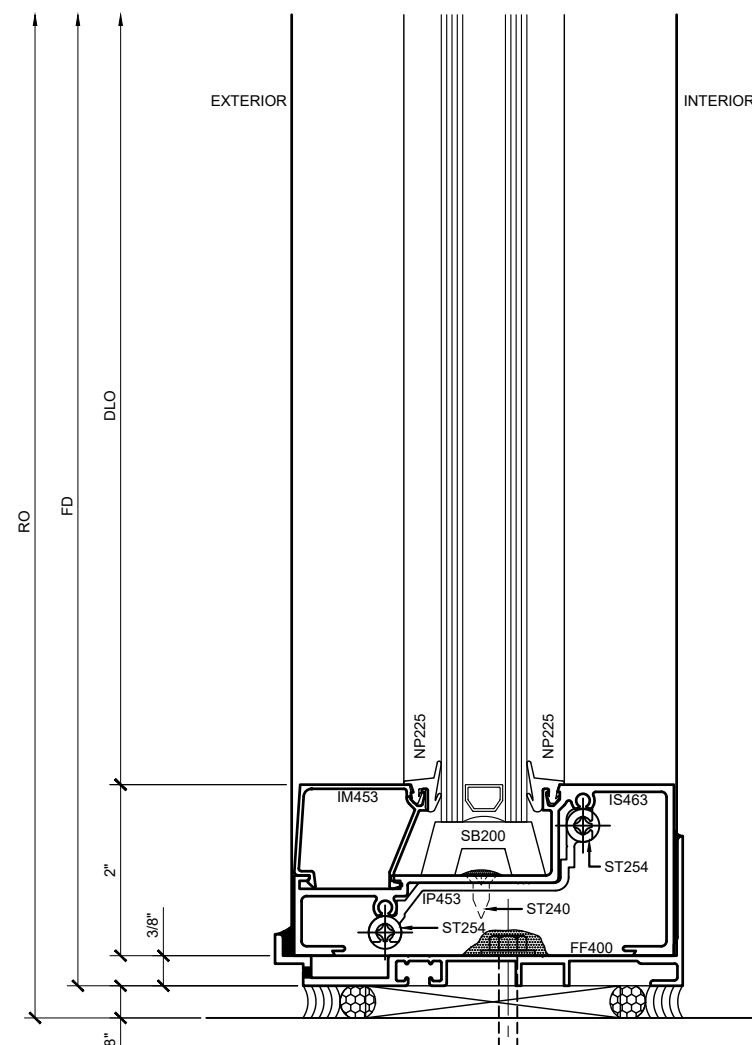
**10** HEAD DETAIL

ARCH REF: N/A 1'-0"=1'-0"



**9** DOOR HEAD DETAIL AT TRANSOM

ARCH REF: N/A 1'-0"=1'-0"



**11** SILL DETAIL AT SIDELITE

ARCH REF: N/A 1'-0"=1'-0"

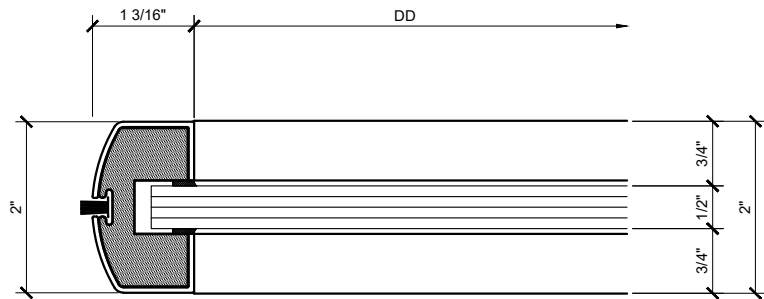
Revisions By:

**CRL.**

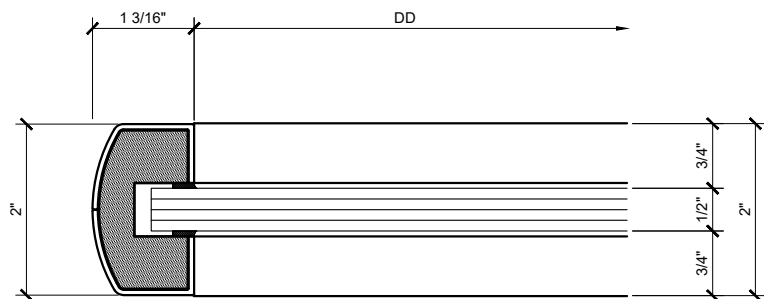
2693 E. Warner Avenue, Los Angeles, CA 90058-1897  
PH: (800)-421-9144 FX: 800-597-7501 www.crlusa.com

Description:  
CRL PREMIUM SERIES  
BALANCED DOOR  
ALUMINUM ALL GLASS  
WITH MINI STILE

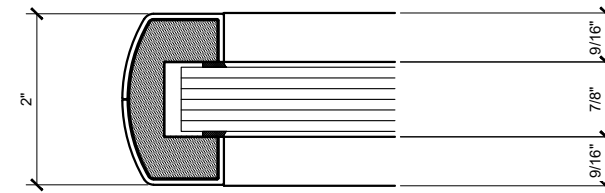
Drawn By: TGM  
Date: 11/15/18  
Scale: AS NOTED  
File Name:  
PS BD - ALUM ALL GLASS W/MINI STILE.dwg  
Sheet



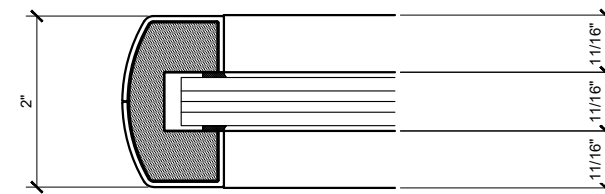
MINI STILE W/BRUSH (SHOWN WITH 1/2" GLASS)



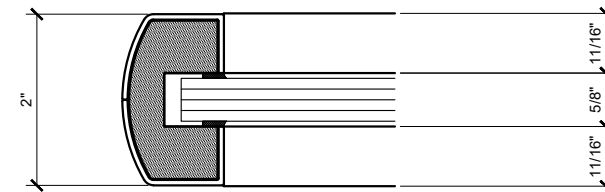
MINI STILE (SHOWN WITH 1/2" GLASS)



3/4" GLASS



9/16" GLASS



1/2" GLASS

GLASS SIZE OPTIONS

Revisions By:

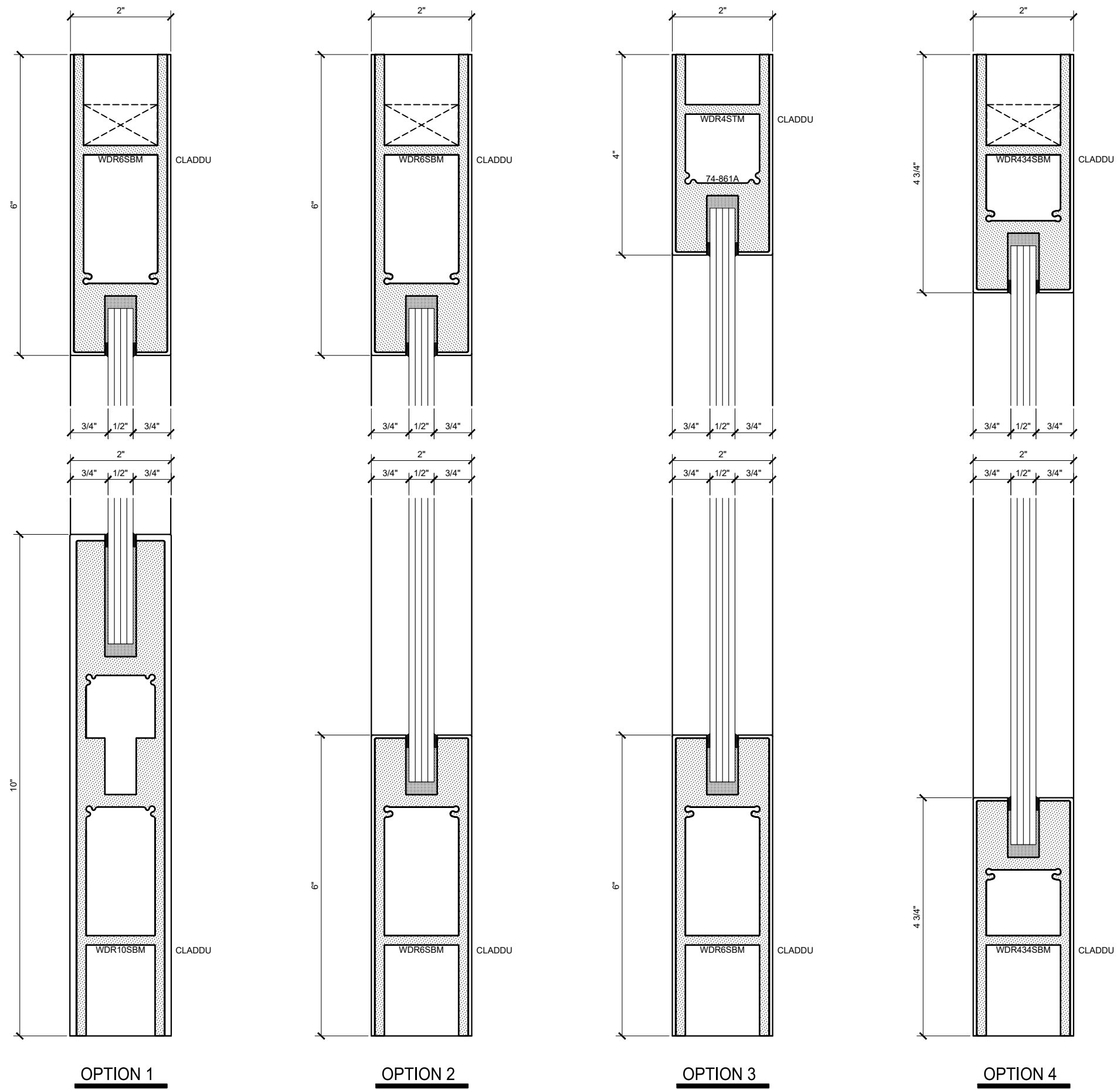
**CRL.**

2693 E. Venice Avenue, Los Angeles, CA 90058-1897  
PH: (800)-421-9144 FX: 800-597-7501 www.crlusa.com

Description:  
CRL PREMIUM SERIES  
BALANCED DOOR  
ALUMINUM ALL GLASS  
WITH MINI STILE

Drawn By: TGM  
Date: 11/15/18  
Scale: AS NOTED  
File Name:  
PS BD - ALUM ALL GLASS W/MINI STILE.dwg  
Sheet

1.05



**OPTION 1**

**OPTION 2**

**OPTION 3**

**OPTION 4**

**STANDARD RAILS - GLASS OPTIONS: 3/4", 9/16", 1/2", THICK GLASS (SHOWN WITH 1/2" THICK GLASS)**

Revisions By:

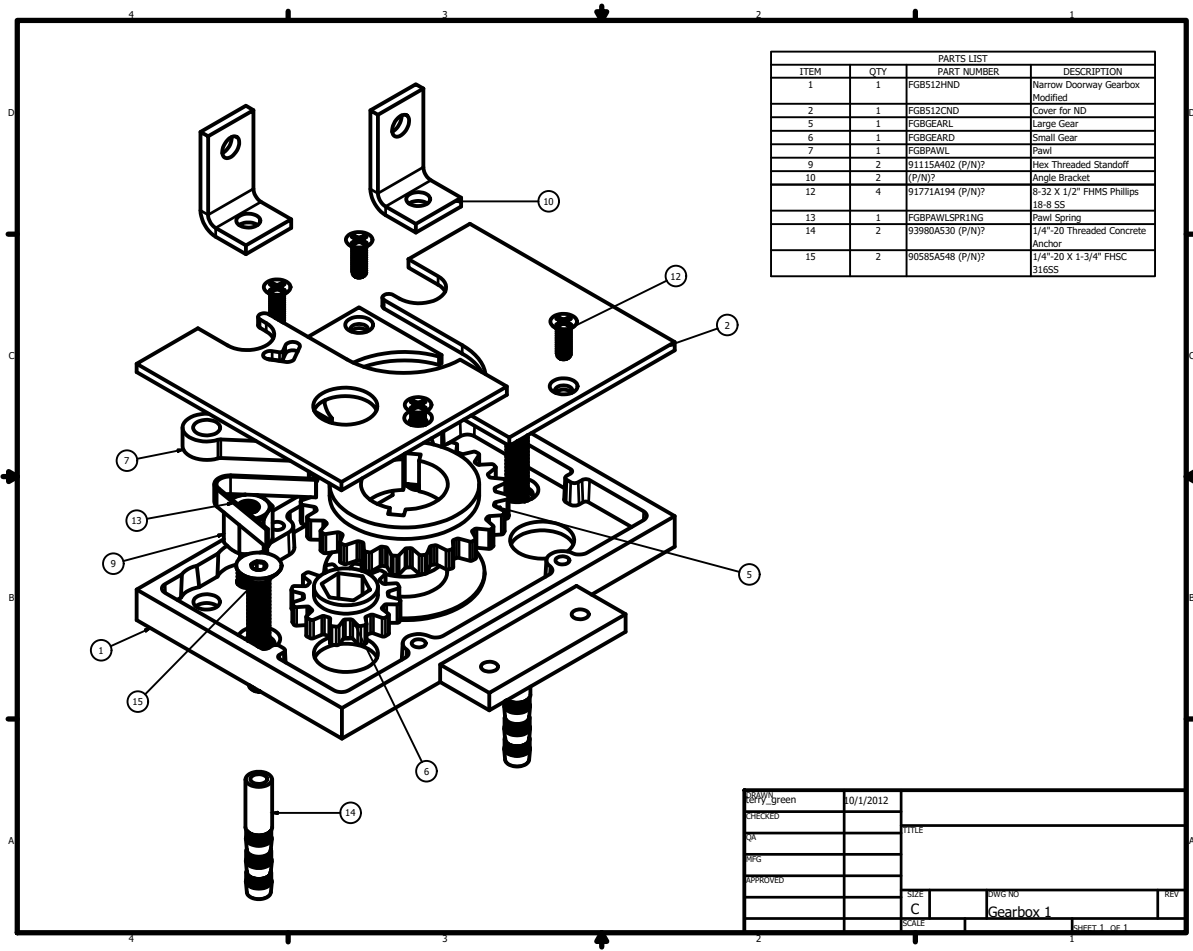


2693 E. Venice Avenue, Los Angeles, CA 90058-1897  
 PH: (800)-421-6144 FX: 800-591-7501 www.crlusa.com

Description:  
 CRL PREMIUM SERIES  
 BALANCED DOOR  
 ALUMINUM ALL GLASS  
 WITH MINI STILE

Drawn By: TGM  
 Date: 11/15/18  
 Scale: AS NOTED  
 File Name: PS BD - ALUM ALL GLASS W/MINI STILE.dwg  
 Sheet

1.06



PARTS LIST			
ITEM	QTY	PART NUMBER	DESCRIPTION
1	1	FGBS12HND	Narrow Doorway Gearbox Modified
2	1	FGBS12CND	Cover for ND
5	1	FGBGEARL	Large Gear
6	1	FGBGGEARD	Small Gear
7	1	FGBPWAL	Pawl
9	2	911154402 (P/N)?	Hex Threaded Standoff
10	2	(P/N)?	Angle Bracket
12	4	91771A194 (P/N)?	8-32 X 1/2" FHMS Phillips 18-8 SS
13	1	FGBPWALSPRING	Pawl Spring
14	2	93980AS30 (P/N)?	1/4"-20 Threaded Concrete Anchor
15	2	90585AS48 (P/N)?	1/4"-20 X 1-3/4" FHSC 316SS

DESIGNED	Green	10/1/2012	
CHECKED			
DATE			TITLE
BY			
APPROVED			
			SIZE: C
			SCALE: Gearbox 1
			SHEET 1 OF 1

Revisions By:



2693 E. Warner Avenue, Los Angeles, CA 90058-1897  
 PH: (800)-421-9144 FX: 800-597-7501 www.crlusa.com

Description:  
 CRL PREMIUM SERIES  
 BALANCED DOOR  
 ALUMINUM ALL GLASS  
 WITH MINI STILE

Drawn By: TGM  
 Date: 11/15/18  
 Scale: AS NOTED  
 File Name: PS BD - ALUM ALL GLASS W/MINI STILE.dwg  
 Sheet

2.01