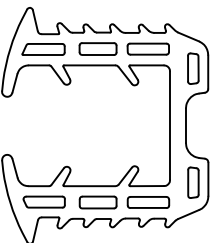


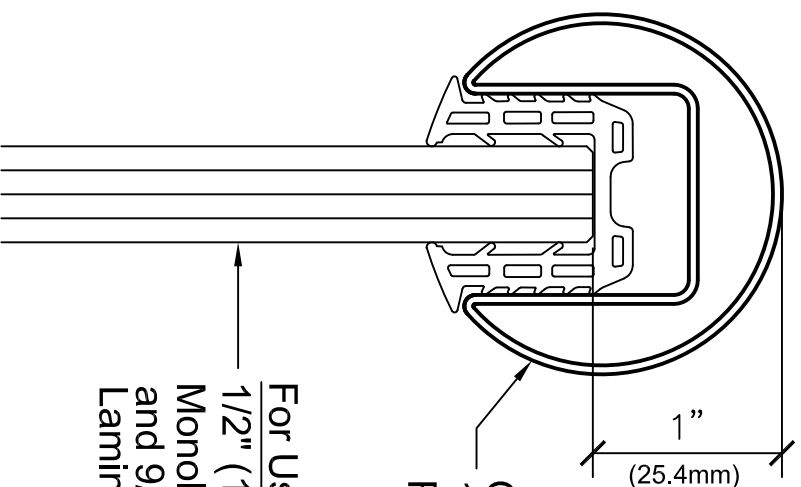
CRL Cat # GRRF20 Series Cap Rails

Available in Brushed and Polished Stainless Finishes



CRL Cat # GRRF2013PV

Protective Rubber Inserts



Glass Deduction

GRRF20 Series
1-7/8" (48mm) Dia
Roll Formed Cap Rail

For Use With:
1/2" (12mm)
Monolithic Tempered Glass
and 9/16" (13.52mm)
Laminated Tempered Glazing

