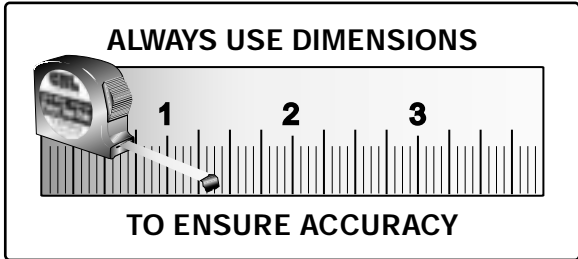
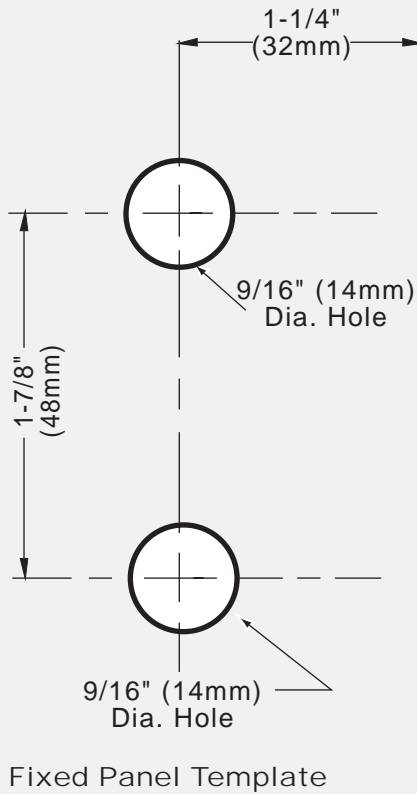




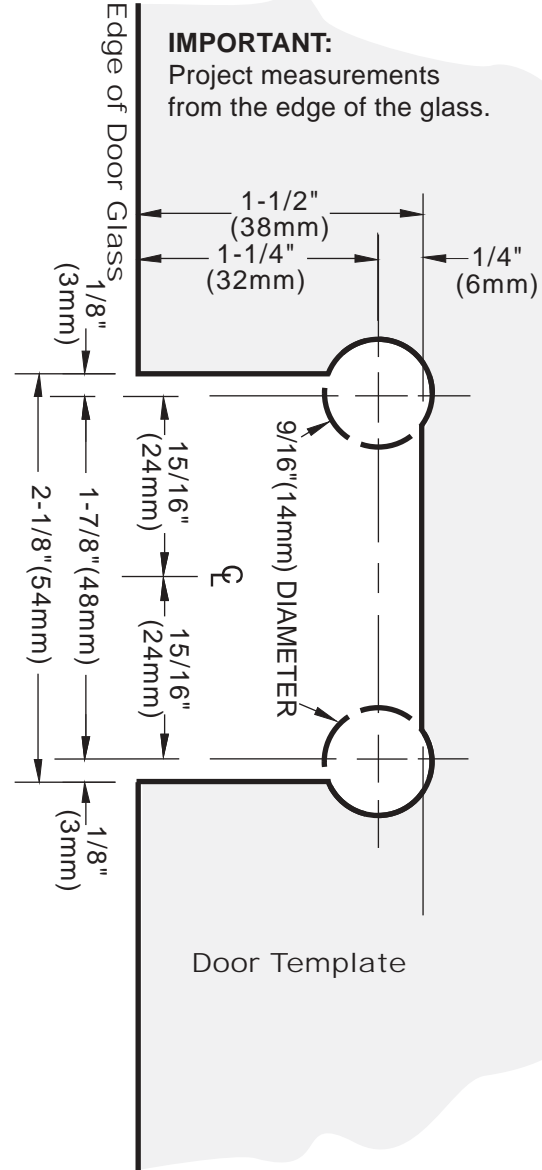
C.R. LAURENCE CO., INC.
PROFESSIONAL QUALITY



IMPORTANT:
 Project measurements from the edge of the glass.



IMPORTANT:
 Project measurements from the edge of the glass.



TRIANON

90° Glass-to-Glass Hinge
 CAT No. TR1092